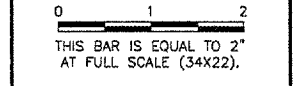


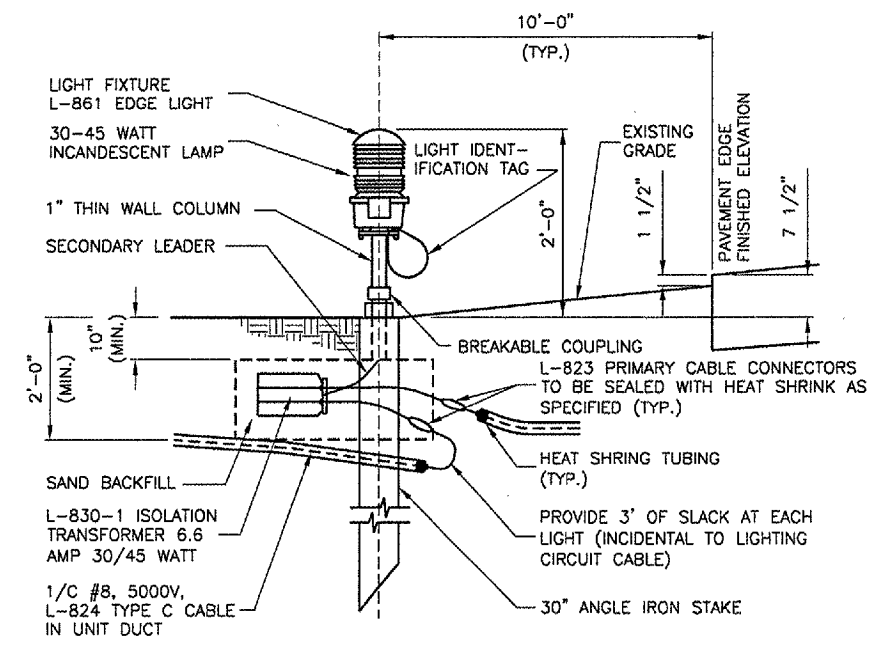
REVISIONS		
NUMBER	BY	DATE



UNIVERSITY OF ILLINOIS
 WILLARD AIRPORT
 CONSTRUCT N.E. T-HANGAR PAVEMENT
 ELECTRICAL AND
 WATER MAIN DETAILS

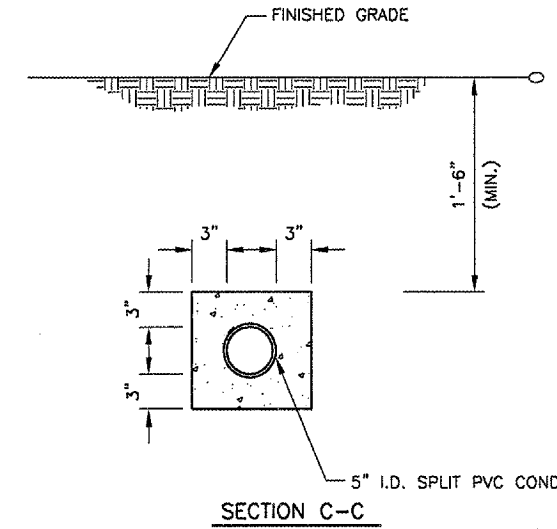
© Copyright CMT, Inc.
CMT
 CRAWFORD, MURPHY & TILLY, INC.
 CONSULTING ENGINEERS
 License No. 184-000613

DESIGN BY:	CMT
DRAWN BY:	CMT
CHECKED BY:	MJS
APPROVED BY:	
DATE:	11/16/2006
JOB No:	0505906
A.I.P. PROJECT:	3-17-0016-23
IL. PROJ:	CM-3651
SHEET	15 OF 17 SHEETS



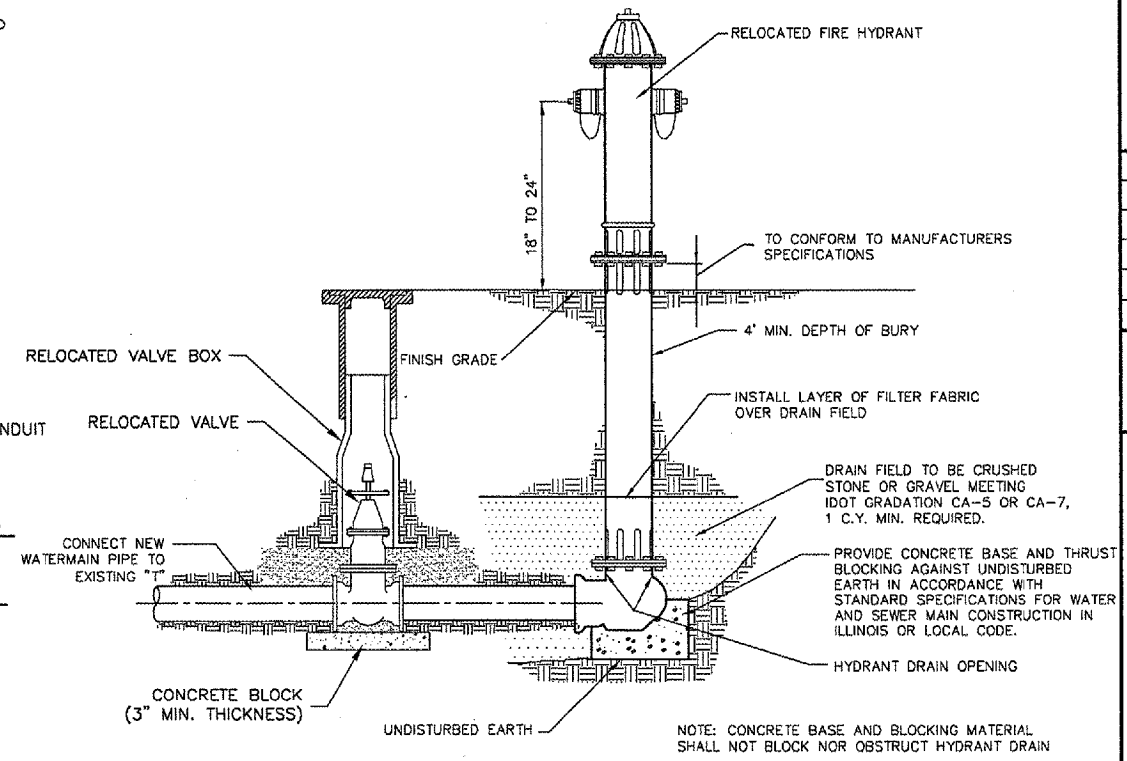
UNIT DUCT SHALL BE TERMINATED AT THE L-823 CONNECTORS AND SEALED WITH HEAT SHRINK AS SPECIFIED.

STAKE MOUNTED MEDIUM INTENSITY MARKER LIGHTS
 N.T.S.



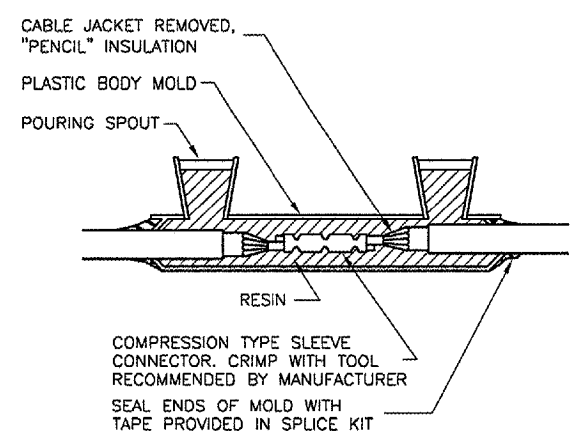
CONCRETE ENCASED SPLIT DUCT DETAILS
 N.T.S.

- NOTES**
1. DIMENSIONS SHOWN ARE MINIMUM.
 2. DUCT CONCRETE SHALL BE 610 STRUCTURAL P.C.C.
 3. CONCRETE ENCASED CONDUIT TO BE INSTALLED AS SHOWN ON THE PLANS

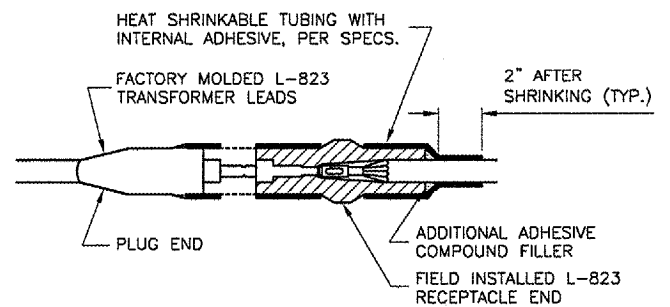
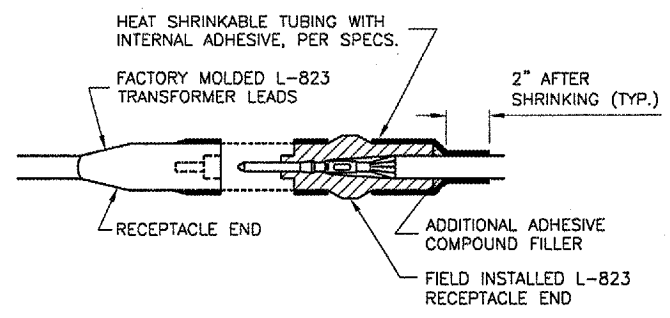


FIRE HYDRANT RELOCATION
 N.T.S.

- NOTES**
1. INSIDE DIAMETER OF CONNECTOR SHALL PROPERLY MATCH THE OUTSIDE DIAMETER OF CABLE.
 2. THE COST OF FURNISHING AND INSTALLING ALL SPLICE MATERIALS SHALL BE INCIDENTAL TO THE ASSOCIATED CABLE ITEMS.
 3. THE CONTRACTOR SHALL HAVE A MINIMUM OF TWO (2) TYPE A SPLICE KITS ON THE JOB SITE AT ALL TIMES FOR EMERGENCY REPAIRS.



TYPE A

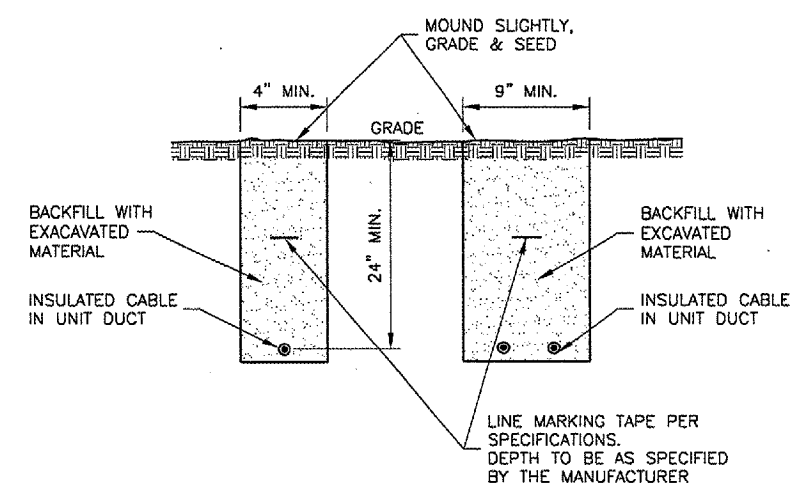


TYPE C AND D

CABLE SPLICES
 N.T.S.

FOR IN-LINE CONNECTIONS OF EXISTING CABLES CUT DURING CONSTRUCTIONS.

FOR SPLICES AT TAXIWAY LIGHTS AND SIGNS.



CABLE TRENCHED IN SOIL
 N.T.S.