



HANSON PROFESSIONAL SERVICES INC.

815 Commerce Drive, Suite 200
Oak Brook, Illinois 60523
Telephone: 630.990.3800
Fax: 630.990.3801

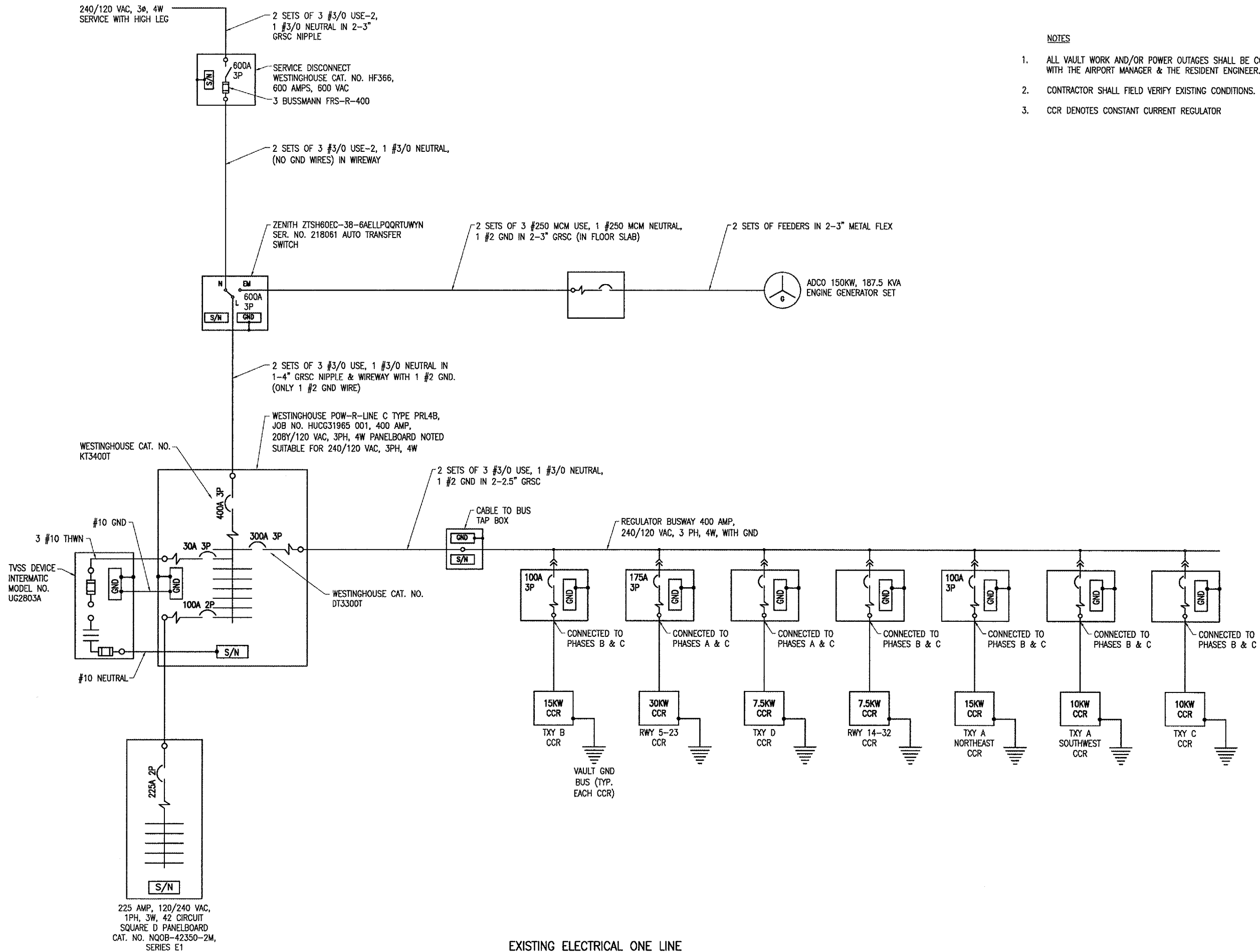


WAUKEGAN REGIONAL AIRPORT
WAUKEGAN PORT DISTRICT

3580 North McAree Road
Waukegan, Illinois 60087
Telephone: 847.244.0066
Fax: 847.244.3813

AIRFIELD SIGNAGE IMPROVEMENTS

AIP PROJECT NO. 3-17-0105-B35
IDA PROJECT NO. UGN-3650



NOTES

1. ALL VAULT WORK AND/OR POWER OUTAGES SHALL BE COORDINATED WITH THE AIRPORT MANAGER & THE RESIDENT ENGINEER.
2. CONTRACTOR SHALL FIELD VERIFY EXISTING CONDITIONS.
3. CCR DENOTES CONSTANT CURRENT REGULATOR

No.	Drawing Issue Description	Date	By

Date

NOVEMBER 10, 2006

Sheet Title

EXISTING ELECTRICAL ONE LINE

831-06A8004
Project Number
KNL 09/01/06
Layout By Date
KNL 09/01/06
Designed By Date
RMH 11/10/06
Reviewed By Date
MV
Drawn By
Sheet No.

EXISTING ELECTRICAL ONE LINE