

STATE OF ILLINOIS  
DEPARTMENT OF TRANSPORTATION

F.A.P. RTE.	SECTION	COUNTY	TOTAL SHEETS	SHEET NO.
870	534-1-N	WILL	71	1
FED. ROAD DIST. NO.	ILLINOIS	CONTRACT NO. 60X59		

\*62+9 = 71 total sheets

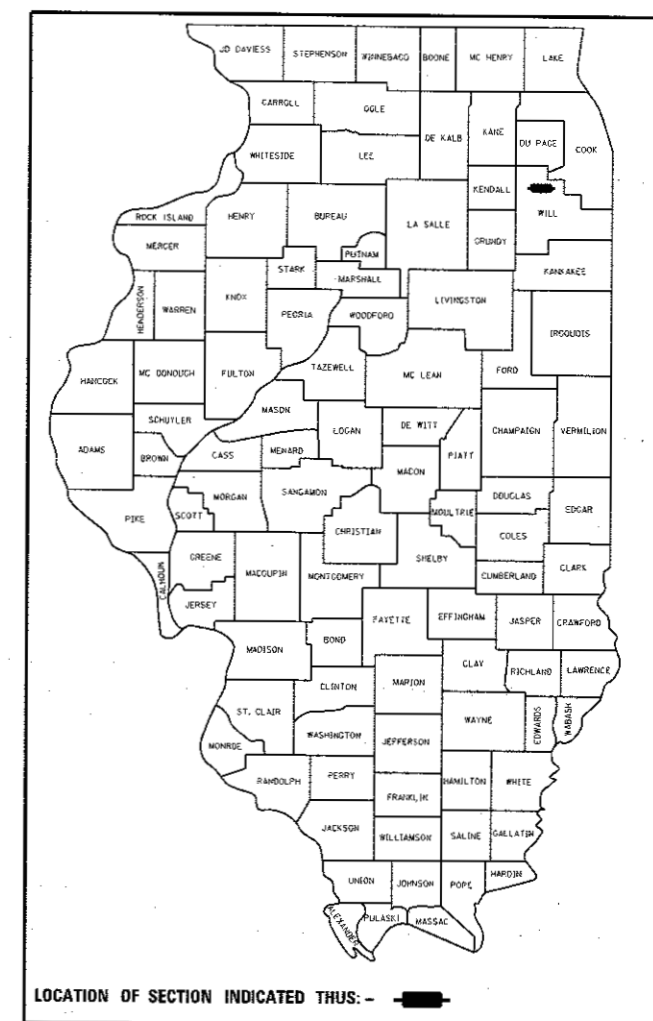
D -91-147-14

FOR INDEX OF SHEETS, SEE SHEET NO. 2

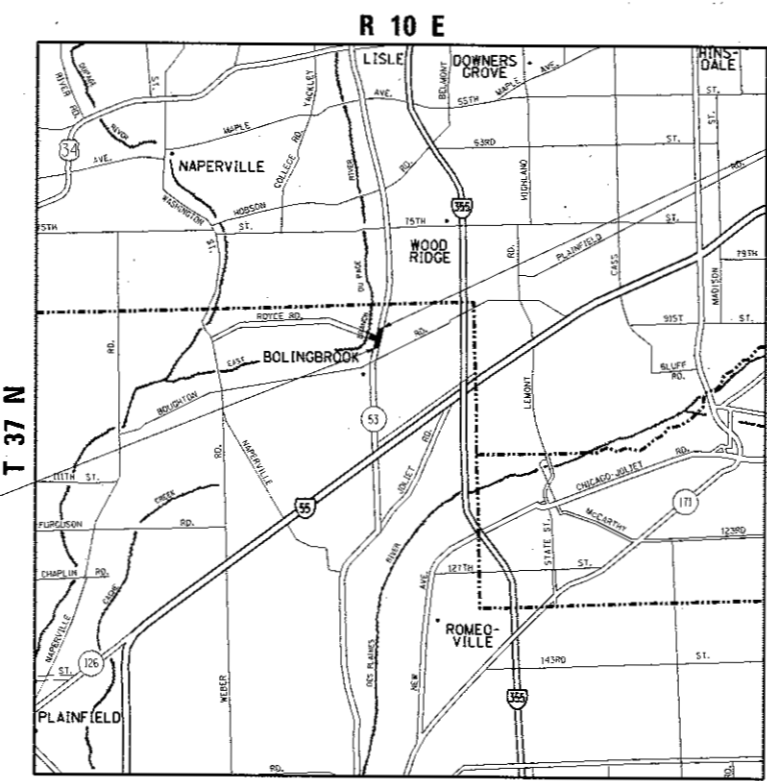
PROJECT IS LOCATED IN THE VILLAGE OF BOLINGBROOK

# PROPOSED HIGHWAY PLANS

FAP ROUTE 870: IL 53 (N. BOLINGBROOK DRIVE)  
AT ROYCE ROAD  
SECTION: 534R-1-N  
TRAFFIC SIGNAL INSTALLATION, CHANNELIZATION  
PROJECT: ACHSIP-0870(017)  
WILL COUNTY  
C-91-147-14



LOCATION OF SECTION INDICATED THUS: - [black rectangle] -

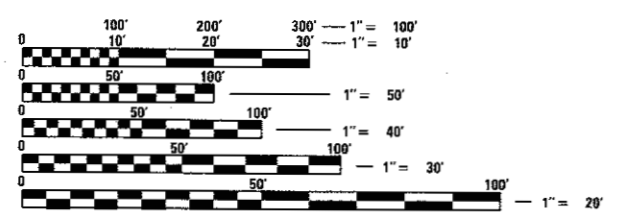


PROJECT BEGINS STA. 18+81

PROJECT ENDS STA. 29+74.1

**TRAFFIC DATA**

2015 ADT = 19,900 (IL-53)  
2012 ADT = 7650 (ROYCE ROAD)  
POSTED SPEED LIMIT = 45 MPH (IL- 53)  
POSTED SPEED LIMIT = 35 MPH (ROYCE ROAD)



FULL SIZE PLANS HAVE BEEN PREPARED USING STANDARD ENGINEERING SCALES. REDUCED SIZED PLANS WILL NOT CONFORM TO STANDARD SCALES. IN MAKING MEASUREMENTS ON REDUCED PLANS, THE ABOVE SCALES MAY BE USED.

J.U.L.I.E.  
JOINT UTILITY LOCATION INFORMATION FOR EXCAVATION  
1-800-892-0123  
OR 811

PROJECT ENGINEER: JEAN ALAIN MIDY (847) 221-3056  
PROJECT MANAGER: ISSAM RAYYAN (847) 705-4178

CONTRACT NO. 60X59

GROSS AND NET LENGTH OF IMPROVEMENT = 1093.1 LINEAL FEET = 0.21 MILE

STATE OF ILLINOIS  
DEPARTMENT OF TRANSPORTATION

SUBMITTED August 11 20 17

*Anthony J. Quigley* / 083 REGIONAL ENGINEER

Nov 30 20 17

*Narciso M. Addis* / PER REGIONAL ENGINEER OF DESIGN AND ENVIRONMENT

Nov 30 20 17

*Michelle* / 2 DIRECTOR OF PROGRAM DEVELOPMENT

PRINTED BY THE AUTHORITY OF THE STATE OF ILLINOIS

**INDEX OF SHEETS**

**GENERAL NOTES**

SHEET NO.	DESCRIPTION
1	COVER SHEET
2	INDEX OF SHEETS, STANDARDS, AND GENERAL NOTES
3-7A	SUMMARY OF QUANTITIES
8-10	TYPICAL SECTIONS PLANS
11	SCHEDULE OF QUANTITIES
12	ALIGNMENT, TIES & BENCHMARKS PLAN
13-16	EXISTING & PROPOSED ROADWAY PLAN
16A	SUGGESTED STAGE 1 & 2 AND TRAFFIC CONTROL (IL-53)
16B	SUGGESTED STAGE 1 & 2 AND TRAFFIC CONTROL (ROYCE RD.)
17	EROSION CONTROL PLAN
18-21	EXISTING & PROPOSED DRAINAGE PLAN
21A	PROPOSED SIGN PLAN
22-23	PLAT OF HIGHWAYS
24	PROPOSED PAVEMENT MARKING PLAN & LANDSCAPING PLAN
25-40	PROPOSED TRAFFIC SIGNAL PLANS
41-47	PROPOSED LIGHTING PLANS
47A-47E	IRRIGATION PLANS (FOR INFORMATION ONLY)
48	DETAILS FOR FRAMES AND LIDS ADJUSTMENT WITH MILLING (BD-08)
49	PAVEMENT PATCHING FOR HMA SURFACED PAVEMENT (BD-22)
50	CURB OR CURB AND GUTTER REMOVAL AND REPLACEMENT (BD-24)
51	BUTT JOINT AND HMA TAPER DETAILS (BD-32)
52	TRAFFIC CONTROL AND PROTECTION FOR SIDE ROADS, INTERSECTIONS AND, DRIVEWAYS (TC-10)
53	TYPICAL APPLICATIONS RAISED REFLECTIVE PAVEMENT MARKERS (SNOW-PLOW RESISTANT) (TC-11)
54	DISTRICT ONE TYPICAL PAVEMENT MARKINGS (TC-13)
55	TRAFFIC CONTROL AND PROTECTION AT TURN BAYS (TO REMAIN OPEN TO TRAFFIC) (TC-14)
56	PAVEMENT MARKING LETTERS AND SYMBOLS FOR TRAFFIC STAGING (TC-16)
57	ARTERIAL ROAD INFORMATION SIGN (TC-22)
58-62	CROSS SECTION PLANS

STANDARD NO.	DESCRIPTION
000001-06	STANDARD SYMBOLS, ABBREVIATIONS AND PATTERNS
280001-07	TEMPORARY EROSION CONTROL SYSTEMS
601001-05	PIPE UNDERDRAINS
602011-02	CATCH BASIN, TYPE C
604001-04	FRAME AND LIDS, TYPE 1
604091-03	FRAME AND GRATE, TYPE 24
606001-07	CONCRETE CURB TYPE B & COMBINATION CONCRETE CURB AND GUTTER
701101-05	OFF-ROAD OPERATIONS MULTILANE, 15' (4.5 m) TO 24' (600 mm) FROM PAVEMENT EDGE
701301-04	LANE CLOSURE, 2L, 2W, SHORT TIME OPERATIONS
701311-03	LANE CLOSURE, 2L, 2W SLOW, MOVING OPERATIONS- DAY ONLY,
701426-09	LANE CLOSURE, MULTILANE, INTERMITTENT OR MOVING OPERATION, FOR SPEEDS > 45 MPH
701601-09	URBAN LANE CLOSURE, MULTILANE, 1W OR 2W WITH NONTRAVERSABLE MEDIAN
701701-10	URBAN LANE CLOSURE, MULTILANE INTERSECTION
701901-07	TRAFFIC CONTROL DEVICES
720001-01	SIGN PANEL MOUNTING DETAIL
720006-04	SIGN PANEL ERECTION DETAILS
805001-01	ELECTRICAL SERVICE INSTALLATION DETAILS
814001-03	HANDHOLES
814006-02	DOUBLE HANDHOLES
857001-01	STANDARD PHASE DESIGNATION DIAGRAMS AND PHASE SEQUENCES
862001-01	UNINTERRUPTABLE POWER SUPPLY (UPS)
873001-02	TRAFFIC SIGNAL GROUNDING & BONDING
877001-07	STEEL MAST ARM ASSEMBLY & POLE 16' THROUGH 55'
878001-10	CONCRETE FOUNDATION DETAILS
880006-01	TRAFFIC SIGNAL MOUNTING DETAILS
886001-01	DETECTOR LOOP INSTALLATIONS
886006-01	TYPICAL LAYOUT FOR DETECTOR LOOPS

**GENERAL NOTES (CONTINUED)**

TWO WEEKS PRIOR TO THE SCHEDULED SIGNAL TURN-ON, A CMS SHALL BE PLACED ON EACH APPROACH ALONG IL-53 WITH THE FOLLOWING MESSAGE: NEW TRAFFIC SIGNAL -STARTING MMM\*\*, WHERE MMM IS THE 3 DIGIT ABBREVIATION FOR THE MONTH AND "\*\*\*" IS THE DATE OF THE TURN ON. ON THE TURN ON DATE, CMS MUST DISPLAY "NEW SIGNAL AHEAD".

ALL DROP-OFFS GREATER THEN 18 INCHES MUST BE BACKFILLED AT THE END OF EACH WORK DAY AND EXCAVATED AREA MUST BE PROTECTED WITH DEVICES PLACED AT THE DROP-OFF ELEVATION TO PRESERVE LANE WIDTH. THE REFLECTIVE AREA AND WARNING LIGHT SHALL BE RAISED TO THE ELEVATION ABOVE TRAVELING LANE AS REQUIRED BY STANDARD 701901.

BEFORE STARTING ANY EXCAVATION, THE CONTRACTOR SHALL CALL "JULIE" AT 800-892-0123 OR 811 FOR FIELD LOCATIONS OF BURIED ELECTRIC, TELEPHONE AND GAS FACILITIES. (48 HOUR NOTIFICATION IS REQUIRED).

THE CONTRACTOR SHALL COORDINATE CONSTRUCTION ACTIVITIES WITH UTILITY COMPANIES AND THE VILLAGE OF BOLINGBROOK

THE CONTRACTOR WILL NOT BE ALLOWED TO SET UP A YARD OR FIELD OFFICE ON STATE PROPERTY WITHOUT WRITTEN PERMISSION FROM THE DEPARTMENT

WHEN MILLED PAVEMENT IS OPEN TO TRAFFIC THE MAXIMUM GRADE DIFFERENTIAL BETWEEN PASSES OF THE MILLING MACHINE SHALL NOT EXCEED 1 1/2 INCHES (40 MM) WHERE THE SPEED LIMIT IS 45 MPH (45 KM/H) OR LESS AND 1 INCH WHERE THE SPEED LIMIT IS GREATER THAN 45 MPH (45 KM/H). WITH WRITTEN APPROVAL FROM THE ENGINEER, A MAXIMUM GRADE DIFFERENTIAL OF 3 INCHES MAY BE ALLOWED IF THE EDGE OF THE MILLING IS SLOPED A MINIMUM 1:3 (V:H).

BUTT JOINTS WILL BE INSTALLED AT THE ENDS OF ALL RESURFACING (WHERE RESURFACING MEETS EXISTING PAVEMENT), IN ACCORDANCE WITH THE "BUTT JOINT AND HOT-MIX ASPHALT TAPER DETAILS" SHEET INCLUDED IN THE PLANS, UNLESS OTHERWISE SPECIFIED.

THE RESIDENT ENGINEER SHALL CONTACT MR. ERIC CAMPOS, IDOT'S AREA TRAFFIC FIELD ENGINEER FOR WILL COUNTY, VIA EMAIL AT ERIC.CAMPOS@ILLINOIS.GOV OR AT (815) 485-6475 A MINIMUM OF 2 WEEKS PRIOR TO PLACEMENT OF PERMANENT PAVEMENT MARKING.

BEFORE BEGINNING ANY WORK, THE CONTRACTOR SHALL RETAIN AND RECORD FOR FUTURE REFERENCE, ALL EXISTING PAVEMENT MARKING LINES (AND RAISED REFLECTIVE PAVEMENT MARKERS) IN ORDER THAT THESE LOCATIONS CAN BE RE-ESTABLISHED FOR STRIPING. EXACT LOCATIONS OF ALL PAVEMENT MARKINGS SHALL BE AS DIRECTED BY THE ENGINEER.

IT SHALL BE THE CONTRACTOR'S RESPONSIBILITY TO VERIFY ALL DIMENSIONS AND CONDITIONS EXISTING IN THE FIELD PRIOR TO CONSTRUCTION AND ORDERING OF MATERIALS

THE CONTRACTOR SHALL CONTACT THE DISTRICT ONE TRAFFIC CONTROL SUPERVISOR AT (847)705-4470 A MINIMUM OF 72 HOURS IN ADVANCE OF BEGINNING WORK.

THE CONTRACTOR SHALL BE REQUIRED TO PROVIDE ACCESS TO ABUTTING PROPERTY AT ALL TIMES DURING THE CONSTRUCTION OF THIS PROJECT.

PRIOR TO EMBANKMENT PLACEMENT, ALL VEGETATION, LOOSE MATERIAL, AND UNSTABLE MATERIAL SHOULD BE REMOVED TO DEPTH ENCOUNTERED AND REPLACED WITH SUITABLE EMBANKMENT MATERIAL. ANY EMBANKMENT WIDENING ON EXISTING SLOPES SHOULD BE BENCHED IN ACCORDANCE WITH ARTICLE 205.04 OF THE STANDARD SPECIFICATIONS FOR ROAD AND BRIDGE CONSTRUCTION.

THE CONTRACTOR SHALL CHECK THE PROPOSED TRAFFIC SIGNAL EQUIPMENT LOCATIONS FOR OVERHEAD UTILITY CONFLICTS, THE CONTRACTOR SHALL COORDINATE ANY CONFLICTS WITH THE UTILITY COMPANIES AND THE RESIDENT ENGINEER BEFORE ORDERING MATERIALS.

A CONCRETE APRON SHALL NOT BE REQUIRED FOR NEW UPS INSTALLATIONS ADJACENT TO EXISTING IMPERVIOUS SURFACES THAT SATISFY THE NEED OF THE CONCRETE APRON, AS DIRECTED BY THE ENGINEER

ALL PAVEMENT PATCHING LOCATIONS WILL BE DETERMINED IN THE FIELD BY THE ENGINEER.

LOCATION OF COMBINATION CONCRETE CURB AND GUTTER REMOVAL AND REPLACEMENT (OR COMBINATION CURB AND GUTTER (THE TYPE SPECIFIED ON THE PLANS)), WILL BE DETERMINED IN THE FIELD BY THE ENGINEER

THE THICKNESS OF THE HMA MIXTURE SHOWN ON THE PLANS IS THE NOMINAL THICKNESS. DEVIATIONS FROM THE NOMINAL THICKNESS WILL BE PERMITTED WHEN SUCH DEVIATIONS OCCUR DUE TO IRREGULARITIES IN THE EXISTING SURFACE OR BASE ON WHICH THE HMA MIXTURE IS PLACED

FILE NAME =	USER NAME = guillaumefp	DESIGNED -	REVISED -	<b>STATE OF ILLINOIS DEPARTMENT OF TRANSPORTATION</b>	<b>INDEX OF SHEETS, LIST OF STATE STANDARDS &amp; GENERAL NOTES FAP 870 /IL 53 (N. BOLINGBROOK DRIVE)</b>	F.A.P. RTE.	SECTION	COUNTY	TOTAL SHEETS	SHEET NO.	
pu:\1\884EBID\INTEG\Illinois.gov\PI14312-Design.dgn	pu:\1\884EBID\INTEG\Illinois.gov\PI14312-Design.dgn	CHECKED -	REVISED -			870	534-1-N	WILL	62	2	
PLOT SCALE = 1/8"=200' / in.		DATE -	REVISED -			SCALE: 1"=50'		SHEET NO. 1 OF 1 SHEETS		STA. TO STA.	
PLOT DATE = 8/9/2016						FED. ROAD DIST. NO.		ILLINOIS FED. AID PROJECT		CONTRACT NO. 60X59	

URBAN

URBAN

\*Specialty Item

SUMMARY OF QUANTITIES			CONSTRUCTION TYPE CODE					
CODE NO	ITEM	UNIT	TOTAL QUANTITIES	URBAN ROADWAY 0004 90% FED 10% STATE	TRAFFIC SIGNAL 0021 90% FED 6.7% STATE 3.3% LOCAL	EVP LED & LIGHTING 0021 100% LOCAL		
20100110	TREE REMOVAL (6 TO 15 UNITS DIAMETER)	UNIT	59	59				
20100210	TREE REMOVAL (OVER 15 UNITS DIAMETER)	UNIT	112	112				
20101000	TEMPORARY FENCE	FOOT	90	90				
20200100	EARTH EXCAVATION	CU YD	499	499				
20201200	REMOVAL AND DISPOSAL OF UNSUITABLE MATERIAL	CU YD	97	97				
20400800	FURNISHED EXCAVATION	CU YD	79	79				
20800150	TRENCH BACKFILL	CU YD	11	11				
21101505	TOPSOIL EXCAVATION AND PLACEMENT	CU YD	260	260				
25000400	NITROGEN FERTILIZER NUTRIENT	POUND	20	20				
25000500	PHOSPHORUS FERTILIZER NUTRIENT	POUND	20	20				
25000600	POTASSIUM FERTILIZER NUTRIENT	POUND	20	20				
* 25200110	SODDING, SALT TOLERANT	SO YD	1637	1637				
25200200	SUPPLEMENTAL WATERING	UNIT	17	17				
28000250	TEMPORARY EROSION CONTROL SEEDING	POUND	22	22				
28000305	TEMPORARY DITCH CHECKS	FOOT	36	36				

SUMMARY OF QUANTITIES			CONSTRUCTION TYPE CODE					
CODE NO	ITEM	UNIT	TOTAL QUANTITIES	URBAN ROADWAY 0004 90% FED 10% STATE	TRAFFIC SIGNAL 0021 90% FED 6.7% STATE 3.3% LOCAL	EVP LED & LIGHTING 0021 100% LOCAL		
28000400	PERIMETER EROSION BARRIER	FOOT	590	590				
28000510	INLET FILTERS	EACH	5	5				
28001100	TEMPORARY EROSION CONTROL BLANKET	SO YD	1000	1000				
30300112	AGGREGATE SUBGRADE IMPROVEMENT 12"	SO YD	1100	1100				
35501318	HOT-MIX ASPHALT BASE COURSE, 8 1/2"	SO YD	1075	1075				
40600290	BITUMINOUS MATERIALS (TACK COAT)	POUND	5811	5811				
40600400	MIXTURE FOR CRACKS, JOINTS, AND FLANGEWAYS	TON	12	12				
40600827	POLYMERIZED LEVELING BINDER (MACHINE METHOD), IL-4.75, N50	TON	372	372				
40600982	HOT-MIX ASPHALT SURFACE REMOVAL - BUTT JOINT	SO YD	70	70				
40603565	POLYMERIZED HOT-MIX ASPHALT SURFACE COURSE, MIX "E", N70	TON	885	885				
42001300	PROTECTIVE COAT	SO YD	130	130				
44000100	PAVEMENT REMOVAL	SO YD	42	42				
44000159	HOT-MIX ASPHALT SURFACE REMOVAL, 2 1/2"	SO YD	7920	7920				

URBAN

URBAN

\* SPECIALTY ITEM

SUMMARY OF QUANTITIES			CONSTRUCTION TYPE CODE					SUMMARY OF QUANTITIES			CONSTRUCTION TYPE CODE								
CODE NO	ITEM	UNIT	TOTAL QUANTITIES	URBAN ROADWAY 0004 90% FED 10% STATE	TRAFFIC SIGNAL 0021 90% FED 6.7% STATE 3.3% LOCAL	EVP LED & LIGHTING 0021 100% LOCAL				CODE NO	ITEM	UNIT	TOTAL QUANTITIES	URBAN ROADWAY 0004 90% FED 10% STATE	TRAFFIC SIGNAL 0021 90% FED 6.7% STATE 3.3% LOCAL	EVP LED & LIGHTING 0021 100% LOCAL			
44000500	COMBINATION CURB AND GUTTER REMOVAL	FOOT	1381	1381					* 66900200	NON-SPECIAL WASTE DISPOSAL	CU YD	50	50						
44003100	MEDIAN REMOVAL	SO FT	1320	1320					* 66900450	SPECIAL WASTE PLANS AND REPORTS	LSUM	1	1						
44201794	CLASS D PATCHES, TYPE III, 12 INCH	SO YD	10	10					* 66900530	SOIL DISPOSAL ANALYSIS	EACH	1	1						
44201796	CLASS D PATCHES, TYPE IV, 12 INCH	SO YD	48	48					67000400	ENGINEER'S FIELD OFFICE, TYPE A	CAL MO	9	9						
550A0050	STORM SEWERS, CLASS A, TYPE 1 12"	FOOT	148	148					67100100	MOBILIZATION	LSUM	1	1						
60108104	PIPE UNDERDRAINS, TYPE 1, 4"	FOOT	511	511					70102630	TRAFFIC CONTROL AND PROTECTION, STANDARD 701601	LSUM	1	1						
60207605	CATCH BASINS, TYPE C, TYPE 8 GRATE	EACH	1	1					70102635	TRAFFIC CONTROL AND PROTECTION, STANDARD 701701	LSUM	1	1						
60208240	CATCH BASINS, TYPE C, TYPE 24 FRAME AND GRATE	EACH	4	4					X7015005	CHANGEABLE MESSAGE SIGN	CAL DA	60	60						
60250400	CATCH BASINS TO BE ADJUSTED WITH NEW TYPE 1 FRAME, OPEN LID	EACH	1	1					70300100	SHORT TERM PAVEMENT MARKING	FOOT	4100	4100						
60255800	MANHOLES TO BE ADJUSTED WITH NEW TYPE 1 FRAME, CLOSED LID	EACH	1	1					70300150	SHORT TERM PAVEMENT MARKING REMOVAL	SO FT	1375	1375						
60260400	INLETS TO BE ADJUSTED WITH NEW TYPE 1 FRAME, CLOSED LID	EACH	2	2					70300210	TEMPORARY PAVEMENT MARKING LETTERS AND SYMBOLS	SO FT	330	330						
60605000	COMBINATION CONCRETE CURB AND GUTTER, TYPE B-6, 24	FOOT	700	700					70300220	TEMPORARY PAVEMENT MARKING - LINE 4"	FOOT	1700	1700						
60605900	COMBINATION CONCRETE CURB AND GUTTER, TYPE B-9, 12	FOOT	180	180					70300240	TEMPORARY PAVEMENT MARKING - LINE 6"	FOOT	960	960						
									70300280	TEMPORARY PAVEMENT MARKING - LINE 24"	FOOT	150	150						

B

REV

URBAN

URBAN

\* SPECIALTY ITEM

SUMMARY OF QUANTITIES				CONSTRUCTION TYPE CODE				SUMMARY OF QUANTITIES				CONSTRUCTION TYPE CODE			
CODE NO	ITEM	UNIT	TOTAL QUANTITIES	URBAN ROADWAY 0004 90% FED 10% STATE	TRAFFIC SIGNAL 0021 90% FED 6.7% STATE 3.3% LOCAL	EVP LED & LIGHTING 0021 100% LOCAL		CODE NO	ITEM	UNIT	TOTAL QUANTITIES	URBAN ROADWAY 0004 90% FED 10% STATE	TRAFFIC SIGNAL 0021 90% FED 6.7% STATE 3.3% LOCAL	EVP LED & LIGHTING 0021 100% LOCAL	
70300900	PAVEMENT MARKING TAPE, TYPE IV - LETTERS AND SYMBOLS	SO FT	75	75				* 81028200	UNDERGROUND CONDUIT, GALVANIZED STEEL, 2" DIA.	FOOT	2774		2774		
70300904	PAVEMENT MARKING TAPE, TYPE IV 4"	FOOT	4750	4750				* 81028210	UNDERGROUND CONDUIT, GALVANIZED STEEL, 2 1/2" DIA.	FOOT	26		26		
70300924	PAVEMENT MARKING TAPE, TYPE IV 24"	FOOT	80	80				* 81028220	UNDERGROUND CONDUIT, GALVANIZED STEEL, 3" DIA.	FOOT	157		47	110	
* 72000100	SIGN PANEL - TYPE 1	SO FT	60	60				* 81028240	UNDERGROUND CONDUIT, GALVANIZED STEEL, 4" DIA.	FOOT	290		290		
* 72400100	REMOVE SIGN PANEL ASSEMBLY - TYPE A	EACH	1	1				* 81400100	HANDHOLE	EACH	11		9	2	
* 78000100	THERMOPLASTIC PAVEMENT MARKING - LETTERS AND SYMBOLS	SO FT	330	330				* 81400200	HEAVY-DUTY HANDHOLE	EACH	2		2		
* 78000200	THERMOPLASTIC PAVEMENT MARKING - LINE 4"	FOOT	1700	1700				* 81400300	DOUBLE HANDHOLE	EACH	1		1		
* 78000400	THERMOPLASTIC PAVEMENT MARKING - LINE 6"	FOOT	960	960				* 81603075	UNIT DUCT, 600V, 3-1C NO.2, 1/C NO.2 GROUND, (XLP-TYPE USE), 1 1/4" DIA. POLYETHYLENE	FOOT	720			720	
* 78000650	THERMOPLASTIC PAVEMENT MARKING - LINE 24"	FOOT	150	150				* 82102310	LUMINAIRE, SODIUM VAPOR, HORIZONTAL MOUNT, 310 WATT	EACH	1			1	
* 78100100	RAISED REFLECTIVE PAVEMENT MARKER	EACH	60	60				* 82102400	LUMINAIRE, SODIUM VAPOR, HORIZONTAL MOUNT, 400 WATT	EACH	1			1	
78300200	RAISED REFLECTIVE PAVEMENT MARKER REMOVAL	EACH	40	40				* 83009600	LIGHT POLE, ALUMINUM, 45 FT. M.H., 15 FT. MAST ARM	EACH	2			2	
* 80300100	LOCATING UNDERGROUND CABLE	FOOT	700			700									
* 80500020	SERVICE INSTALLATION - POLE MOUNTED	EACH	1			1									

13



URBAN

URBAN

\* SPECIALTY ITEM

SUMMARY OF QUANTITIES			TOTAL QUANTITIES	CONSTRUCTION TYPE CODE				
CODE NO	ITEM	UNIT		URBAN ROADWAY 0004 90% FED 10% STATE	TRAFFIC SIGNAL 0021 90% FED 6.7% STATE 3.3% LOCAL	EVP LED & LIGHTING 0021 100% LOCAL		
* 87900200	DRILL EXISTING HANDHOLE	EACH	1		1			
* 88030020	SIGNAL HEAD, LED, 1-FACE, 3-SECTION, MAST-ARM MOUNTED	EACH	6		6			
* 88030050	SIGNAL HEAD, LED, 1-FACE, 3-SECTION, BRACKET MOUNTED	EACH	4		4			
* 88030100	SIGNAL HEAD, LED, 1-FACE, 5-SECTION, BRACKET MOUNTED	EACH	2		2			
* 88030110	SIGNAL HEAD, LED, 1-FACE, 5-SECTION, MAST-ARM MOUNTED	EACH	2		2			
* 88200410	TRAFFIC SIGNAL BACKPLATE, LOUVERED, FORMED PLASTIC	EACH	8		8			
* 88500100	INDUCTIVE LOOP DETECTOR	EACH	8		8			
* 88600100	DETECTOR LOOP, TYPE I	FOOT	504		504			
* 88700200	LIGHT DETECTOR	EACH	3			3		
* 88700300	LIGHT DETECTOR AMPLIFIER	EACH	1			1		
* 89502375	REMOVE EXISTING TRAFFIC SIGNAL EQUIPMENT	EACH	1		1			
* A2000120	TREE, ACER X FREEMANII AUTUMN BLAZE (AUTUMN BLAZE FREEMAN MAPLE), 2-1/2" CALIPER, BALLED AND BURLAPPED	EACH	5	5				

SUMMARY OF QUANTITIES			TOTAL QUANTITIES	CONSTRUCTION TYPE CODE				
CODE NO	ITEM	UNIT		URBAN ROADWAY 0004 90% FED 10% STATE	TRAFFIC SIGNAL 0021 90% FED 6.7% STATE 3.3% LOCAL	EVP LED & LIGHTING 0021 100% LOCAL		
* A2004820	TREE, GLEDITSIA TRIACANTHOS INERMIS SKYLINE (SKYLINE THORNLESS COMMON HONEYLOCUST), 2-1/2" CALIPER, BALLED AND BURLAPPED	EACH	8	8				
* B2003320	TREE, MALUS DONALD WYMAN (DONALD WYMAN CRABAPPLE), 2-1/2" CALIPER, TREE FORM, BALLED AND BURLAPPED	EACH	5	5				
* X0324085	EMERGENCY VEHICLE PRIORITY SYSTEM LINE SENSOR CABLE, NO. 20 3/C	FOOT	504				504	
* X0325714	FLASHING BEACON, POST MOUNTED, SOLAR POWERED INSTALLATION	EACH	1		1			
* X0327698	LED INTERNALLY ILLUMINATED STREET NAME SIGN	EACH	3				3	
X0327979	PAVEMENT MARKING REMOVAL - GRINDING	SO FT	1675	1675				
* X1400081	FULL-ACTUATED CONTROLLER AND TYPE SUPER P CABINET (SPECIAL)	EACH	1		1			
X1700006	STAMPED COLORED PORTLAND CEMENT CONCRETE MEDIAN SURFACE 4 INCH (SPECIAL)	SO FT	246	246				
X1700019	SEGMENTED BLOCK WALL TO BE REMOVED AND REPLACED	SO FT	844	844				
* X8620200	UNINTERRUPTABLE POWER SUPPLY, SPECIAL	EACH	1		1			

12

FILE NAME =	USER NAME = gulltraumdp	DESIGNED -	REVISED -
Offices\District\Projects\PIH4312\CAD\delo\Design\PIH4312		DRAWN -	REVISED -
PLOT SCALE = 100,0000' / 1"		CHECKED -	REVISED -
PLOT DATE = 10/20/2017		DATE -	REVISED -

**STATE OF ILLINOIS  
DEPARTMENT OF TRANSPORTATION**

**IL 53 (N. BOLINGBROOK DRIVE) AT ROYCE RD.  
SUMMARY OF QUANTITIES**

SCALE:	SHEET NO. 5 OF 5 SHEETS	STA.	TO STA.	F.A.P. RTE. 870	SECTION 534-1-N	COUNTY WILL	TOTAL SHEETS 62	SHEET NO. 7	CONTRACT NO. 60X59	FED. ROAD DIST. NO. 1   ILLINOIS FED. AID PROJECT
--------	-------------------------	------	---------	-----------------	-----------------	-------------	-----------------	-------------	--------------------	---

URBAN

SUMMARY OF QUANTITIES				CONSTRUCTION TYPE CODE				SUMMARY OF QUANTITIES				CONSTRUCTION TYPE CODE											
CODE NO	ITEM	UNIT	TOTAL QUANTITIES	URBAN ROADWAY 0004 90% FED 10% STATE	TRAFFIC SIGNAL 0021 90% FED 6.7% STATE 3.3% LOCAL	EVP LED & LIGHTING 0021 100% LOCAL				CODE NO	ITEM	UNIT	TOTAL QUANTITIES	URBAN ROADWAY 0004 90% FED 10% STATE	TRAFFIC SIGNAL 0021 90% FED 6.7% STATE 3.3% LOCAL	TRAFFIC SIGNAL & LIGHTING 0021 100% LOCAL	EVP LED & LIGHTING 0021 100% LOCAL						
* X8710024	FIBER OPTIC CABLE IN CONDUIT, NO. 62.5/125, MM12F SM24F	FOOT	2690		2690																		
Z0013798	CONSTRUCTION LAYOUT	LSUM	1	1																			
Z0018500	DRAINAGE STRUCTURES TO BE CLEANED	EACH	21	21																			
Z0022800	FENCE REMOVAL	FOOT	395	395																			
Z0030850	TEMPORARY INFORMATION SIGNING	SO FT	77.1	77.1																			
* Z0033020	LUMINAIRE SAFETY CABLE ASSEMBLY	EACH	4			4																	
* Z0033028	MAINTENANCE OF LIGHTING SYSTEM	CAL MO	6			6																	
* Z0033046	RE-OPTIMIZE TRAFFIC SIGNAL SYSTEM LEVEL	EACH	1		1																		
	2																						

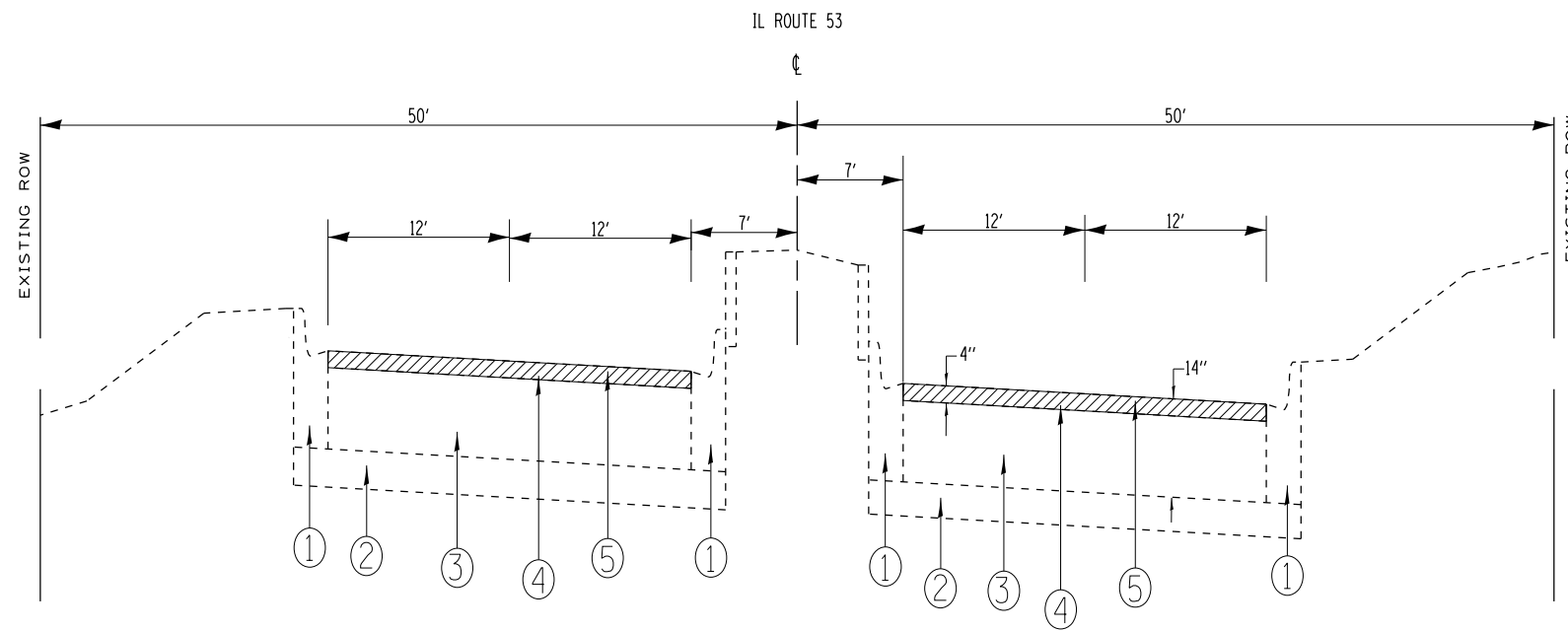
NON-PARTICIPATING

REV

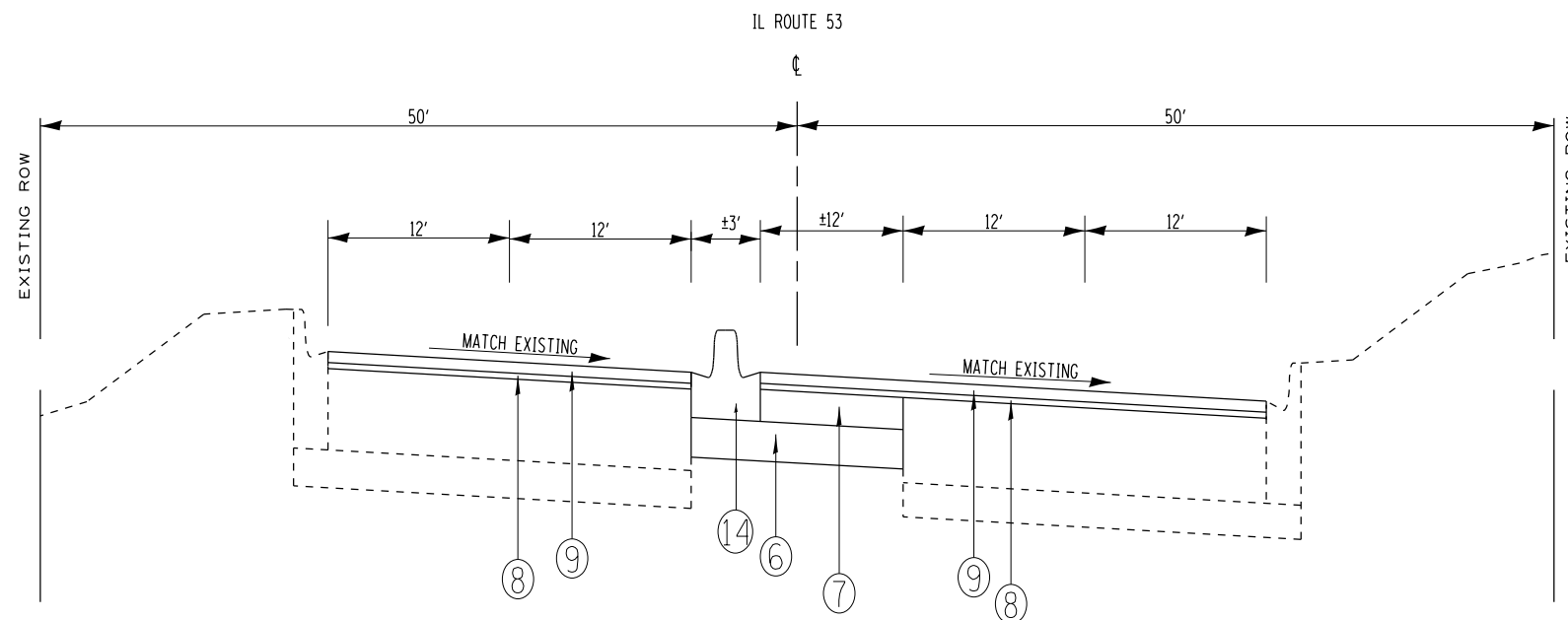


**LEGEND**

- ① EXISTING CURB & GUTTER
- ② EXISTING SUB-BASE GRANULAR MATERIAL ± 4"
- ③ EXISTING HMA PAVEMENT ± 14"
- ④ EXISTING HMA SURFACE COURSE 4"
- ⑤ PROPOSED HMA SURFACE REMOVAL, 2 1/2"
- ⑥ PROPOSED AGGREGATE SUBGRADE IMPROVEMENT, 12"
- ⑦ PROPOSED HMA BASE COURSE, 8 1/2" (2 1/4 in Min. LIFTS)
- ⑧ PROPOSED POLYMERIZED LEVELING BINDER (MACHINE METHOD), N50, IL 4.75 3/4"
- ⑨ PROPOSED POLYMERIZED HMA SURFACE COURSE, MIX "E", N70, 1 3/4"
- ⑩ PROPOSED CURB AND GUTTER, B6.24 OR B9.12 (SEE PROP. PLAN)
- ⑪ PROPOSED TOP SOIL, 6"
- ⑫ EXISTING MEDIAN TO BE REMOVED
- ⑬ PROPOSED CLASS D PATCH (FULL DEPTH)
- ⑭ PROPOSED CONC. MEDIAN TYPE SB-9.12 (SEE ROADWAY PLAN SHEET FOR LOCATIONS)
- ⑮ PROPOSED PIPE UNDERDRAIN, 4" (SEE DRAINAGE PLAN FOR LOCATION)



**EXISTING TYPICAL CROSS SECTION**  
IL 53/ N. BOLINGBROOK DRIVE (STA. 18+81 TO STA. 25+00)



**PROPOSED TYPICAL CROSS SECTION**  
IL 53/ N. BOLINGBROOK DRIVE (STA. 18+81 TO STA. 25+00)

HOT-MIX ASPHALT MIXTURE REQUIREMENTS		
MIXTURE TYPE	AIR VOIDS (%) @ 75°F	QUALITY MANAGEMENT PROGRAM (QMP)
<b>PAVEMENT WIDENING</b>		
POLYMERIZED HMA SURFACE COURSE, MIX "E", N70 (IL 4.75 mm)	4% AT 70 GYR.	QC/QA
POLYMERIZED LEVELING BINDER (MACHINE METHOD), N50 (IL-4.75 mm)	3.5% AT 50 GYR.	QC/QA
HMA BASE COURSE, 8 1/2" (HMA BINDER IL-19 mm)	4% AT 70 GYR.	QC/QA
<b>PAVEMENT RESURFACING</b>		
POLYMERIZED HMA SURFACE COURSE, MIX "E", N70 (IL 9.5 mm)	4% AT 70 GYR.	QC/QA
POLYMERIZED LEVELING BINDER (MACHINE METHOD), N50 (IL-4.75 mm)	3.5% AT 50 GYR.	QC/QA
<b>PATCHING</b>		
CLASS D PATCH (HMA BINDER, IL-19.0 mm)	4% AT 70 GYR.	QC/QA
QMP DESIGNATION: QUALITY CONTROL/QUALITY ASSURANCE (QC/QA); QUALITY CONTROL FOR PERFORMANCE (QCP)		

**NOTES:**

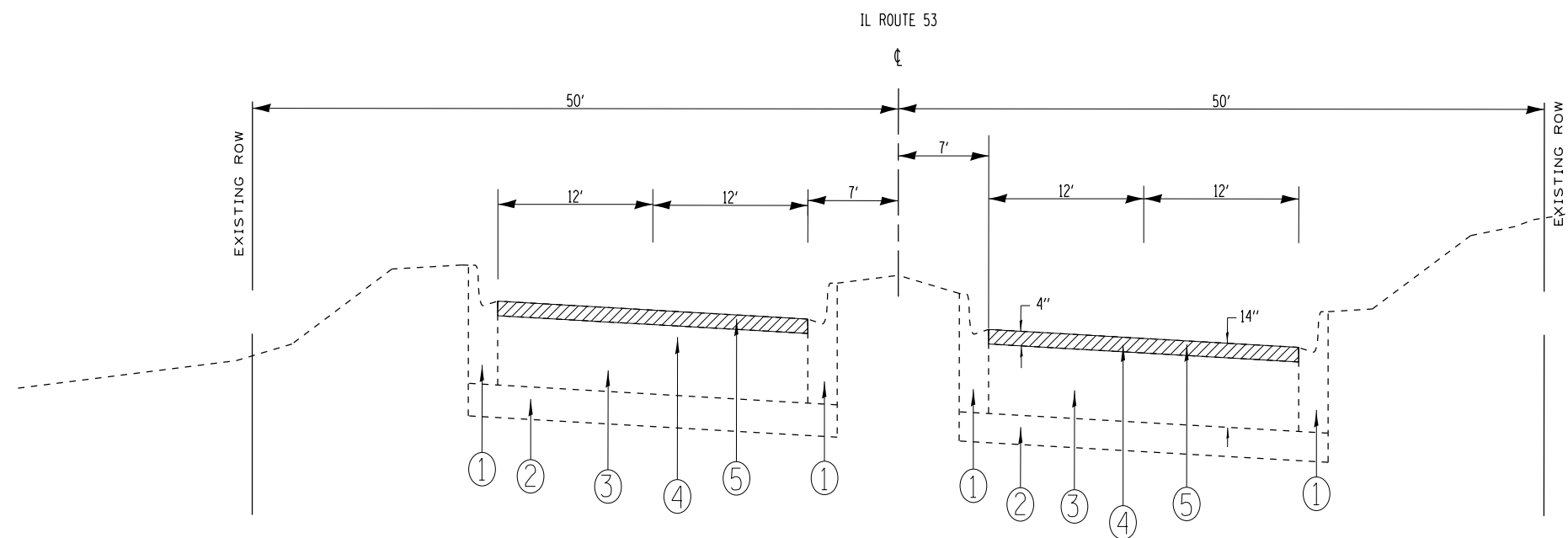
THE UNIT WEIGHT USED TO CALCULATE ALL HMA SURFACE COURSE MIXTURES IS 112 LBS/SQ YD/IN  
 "THE "AC TYPE" FOR POLYMERIZED HMA MIXES SHALL BE "SBS/SBR PG 76-22" AND FOR NON-POLYMERIZED HMA THE "AC TYPE" SHALL BE "PG 64-22" UNLESS MODIFIED BY DISTRICT ONE SPECIAL PROVISIONS."  
 QUALITY MANAGEMENT PROGRAM (QMP) IDENTIFIES THE PARTICULAR QUALITY CONTROL SPECIFICATION THAT APPLIES TO THE HMA MIXTURE

**NOTE:**  
CONTRACTOR SHALL MILL FIRST BEFORE PATCHING

FILE NAME =	USER NAME = guillaumejp	DESIGNED -	REVISED -
pw\IL084EBIDINTEG.illinois.gov\PIWIDOT\Documents\IDOT Offices\District 1\Projects\PI14312\Drawings\Design\PI14312-Design.dgn		CHECKED -	REVISED -
Default	PLOT DATE = 10/20/2017	DATE -	REVISED -

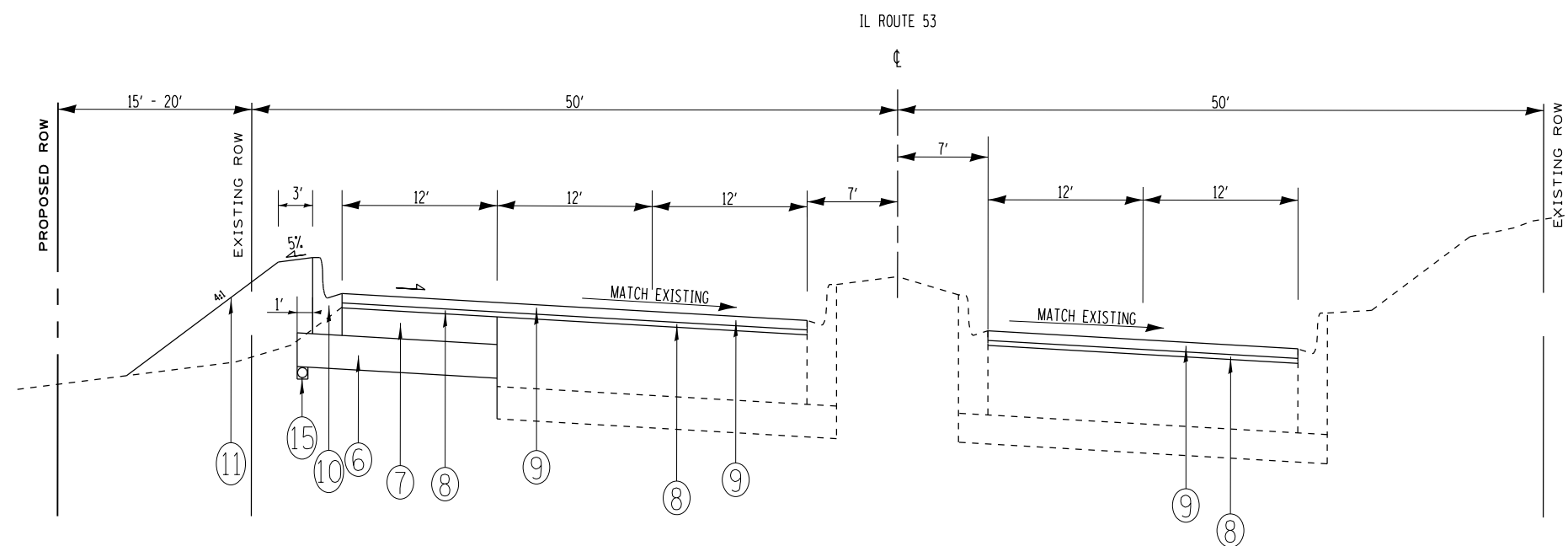
**STATE OF ILLINOIS  
DEPARTMENT OF TRANSPORTATION**

<b>TYPICAL SECTIONS</b>		F.A.P. RTE.	SECTION	COUNTY	TOTAL SHEETS	SHEET NO.
<b>IL 53 (N. BOLINGBROOK DRIVE) AT ROYCE RD.</b>		870	534-1-N	WILL	62	8
SCALE: SHEET OF SHEETS STA. TO STA.		ILLINOIS FED. AID PROJECT				
CONTRACT NO. 60X59						



EXISTING TYPICAL CROSS SECTION  
 IL 53/ N. BOLINGBROOK DRIVE (STA. 25+00 TO STA. 29+74.1)

- LEGEND**
- ① EXISTING CURB & GUTTER
  - ② EXISTING SUB-BASE GRANULAR MATERIAL ± 4''
  - ③ EXISTING HMA PAVEMENT ± 14''
  - ④ EXISTING HMA SURFACE COURSE 4''
  - ⑤ PROPOSED HMA SURFACE REMOVAL, 2 1/2''
  - ⑥ PROPOSED AGGREGATE SUBGRADE IMPROVEMENT, 12''
  - ⑦ PROPOSED HMA BASE COURSE, 8 1/2'' (2 1/4 in Min. LIFTS)
  - ⑧ PROPOSED POLYMERIZED LEVELING BINDER (MACHINE METHOD), N50, IL 4.75 3/4''
  - ⑨ PROPOSED POLYMERIZED HMA SURFACE COURSE, MIX "E", N70, 1 3/4''
  - ⑩ PROPOSED CURB AND GUTTER, B6.24 OR B9.12 (SEE PROP. PLAN)
  - ⑪ PROPOSED TOP SOIL, 6''
  - ⑫ EXISTING MEDIAN TO BE REMOVED
  - ⑬ PROPOSED CLASS D PATCH (FULL DEPTH)
  - ⑭ PROPOSED CONC. MEDIAN TYPE SB-9.12 (SEE ROADWAY PLAN SHEET FOR LOCATIONS)
  - ⑮ PROPOSED PIPE UNDERDRAIN, 4'' (SEE DRAINAGE PLAN FOR LOCATION)

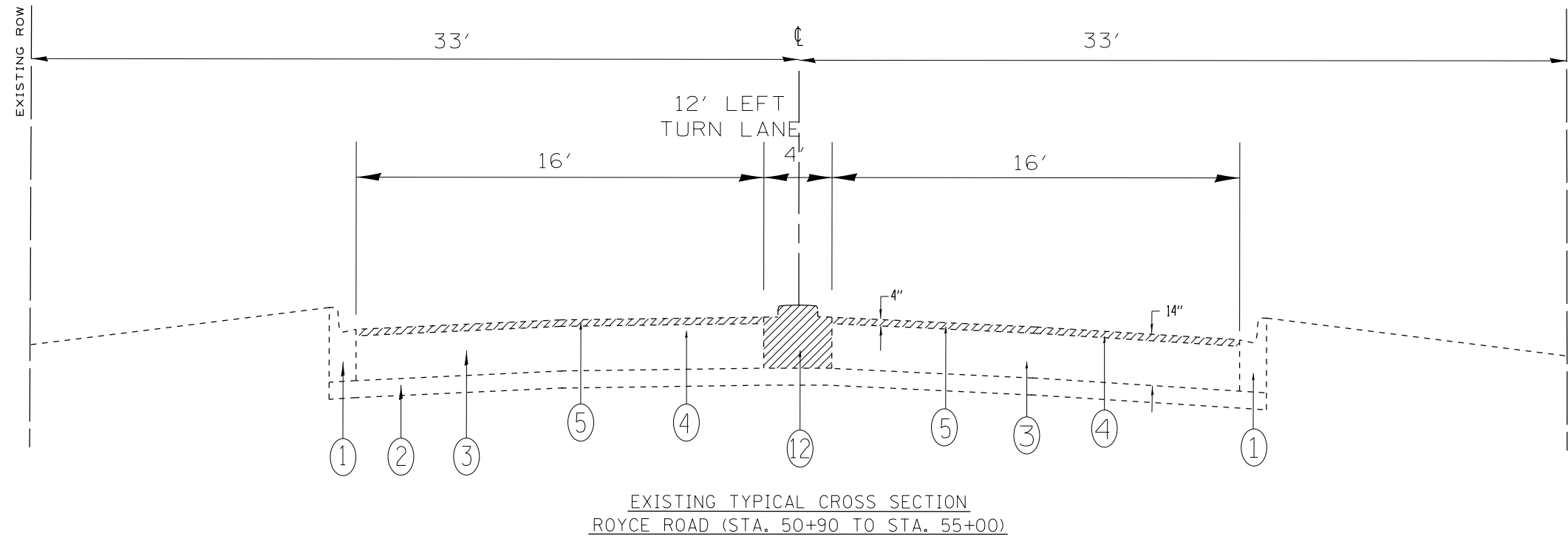


PROPOSED TYPICAL CROSS SECTION  
 IL 53/ N. BOLINGBROOK DRIVE (STA. 25+00 TO STA. 29+74.1)

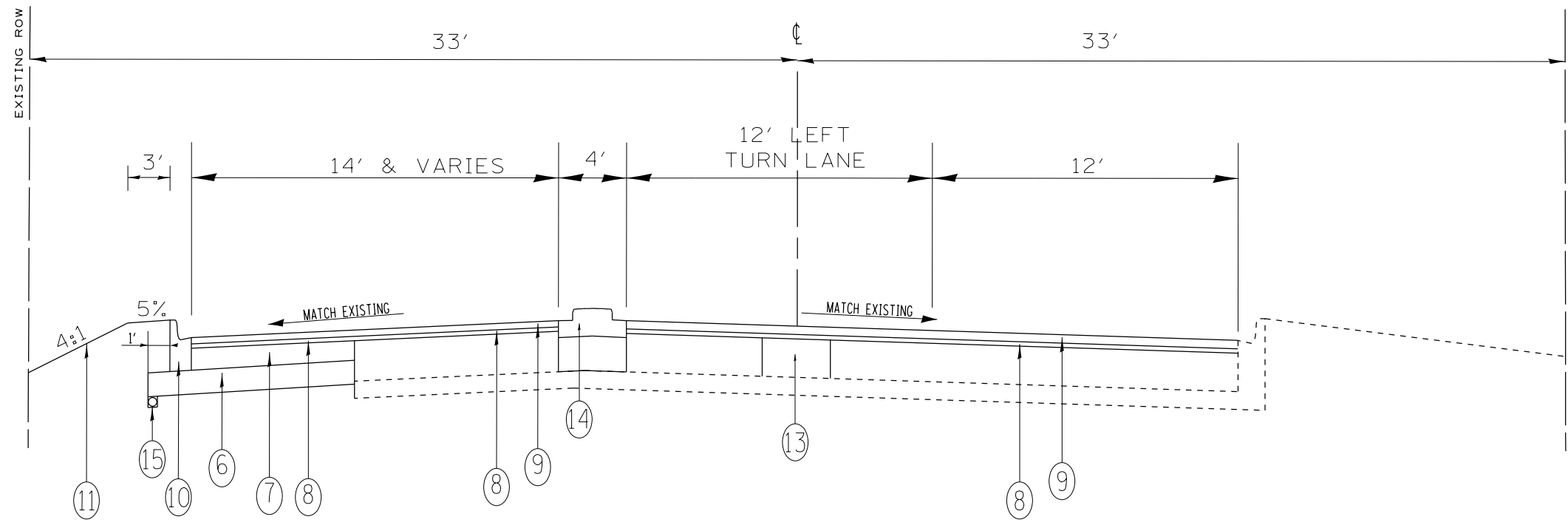
FILE NAME =	USER NAME = hassann	DESIGNED -	REVISED -	<b>STATE OF ILLINOIS DEPARTMENT OF TRANSPORTATION</b>	<b>TYPICAL SECTIONS</b>				F.A.P. RTE.	SECTION	COUNTY	TOTAL SHEETS	SHEET NO.
pw:\IL\084EBIDINTEG\illinois.gov\PWIDOT\Documents\IDOT Offices\District 1\Projects\PI14312\Drawings\Design\PI14312-Design.dgn			REVISED -		<b>IL 53 (N. BOLINGBROOK DRIVE) AT ROYCE RD.</b>				870	534-1-N	WILL	62	9
Default	PLOT SCALE = 100.0587' / in.	CHECKED -	REVISED -		SCALE: SHEET OF SHEETS STA. TO STA.				CONTRACT NO. 60X59				
	PLOT DATE = 3/31/2016	DATE -	REVISED -		ILLINOIS FED. AID PROJECT								

**LEGEND**

- ① EXISTING CURB & GUTTER
- ② EXISTING SUB-BASE GRANULAR MATERIAL ± 4"
- ③ EXISTING HMA PAVEMENT ± 14"
- ④ EXISTING HMA SURFACE COURSE 4"
- ⑤ PROPOSED HMA SURFACE REMOVAL, 2 1/2"
- ⑥ PROPOSED AGGREGATE SUBGRADE IMPROVEMENT, 12"
- ⑦ PROPOSED HMA BASE COURSE, 8 1/2" (2 1/4 in Min. LIFTS)
- ⑧ PROPOSED POLYMERIZED LEVELING BINDER (MACHINE METHOD), N50, IL 4.75 3/4"
- ⑨ PROPOSED POLYMERIZED HMA SURFACE COURSE, MIX "E", N70, 1 3/4"
- ⑩ PROPOSED CURB AND GUTTER, B6.24 OR B9.12 (SEE PROP. PLAN)
- ⑪ PROPOSED TOP SOIL, 6"
- ⑫ EXISTING MEDIAN TO BE REMOVED
- ⑬ PROPOSED CLASS D PATCH (FULL DEPTH)
- ⑭ PROPOSED CONC. MEDIAN TYPE SB-9.12 (SEE ROADWAY PLAN SHEET FOR LOCATIONS)
- ⑮ PROPOSED PIPE UNDERDRAIN, 4" (SEE DRAINAGE PLAN FOR LOCATION)



EXISTING TYPICAL CROSS SECTION  
ROYCE ROAD (STA. 50+90 TO STA. 55+00)



PROPOSED TYPICAL CROSS SECTION  
ROYCE ROAD (STA. 50+90 TO STA. 55+00)

FILE NAME -	USER NAME = hassann	DESIGNED -	REVISED -	<b>STATE OF ILLINOIS DEPARTMENT OF TRANSPORTATION</b>	<b>TYPICAL SECTIONS ROYCE RD.</b>				F.A.P. RTE. =	SECTION	COUNTY	TOTAL SHEETS	SHEET NO.			
Default	Documents\IDOT Offices\District 1\Projects\PI14312\Drawings\Design\PI14312-Design.dgn	CHECKED -	REVISED -		SCALE:	SHEET	OF	SHEETS	STA.	TO	STA.	870	534-1-N	WILL	62	10
	PLOT SCALE = 100.1403' / in.	DATE -	REVISED -													
	PLOT DATE = 3/31/2016															
												CONTRACT NO. 60X59		ILLINOIS FED. AID PROJECT		

## EARTHWORK SCHEDULE (IL 53)

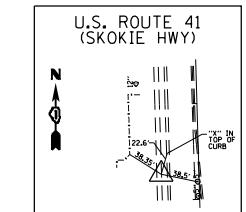
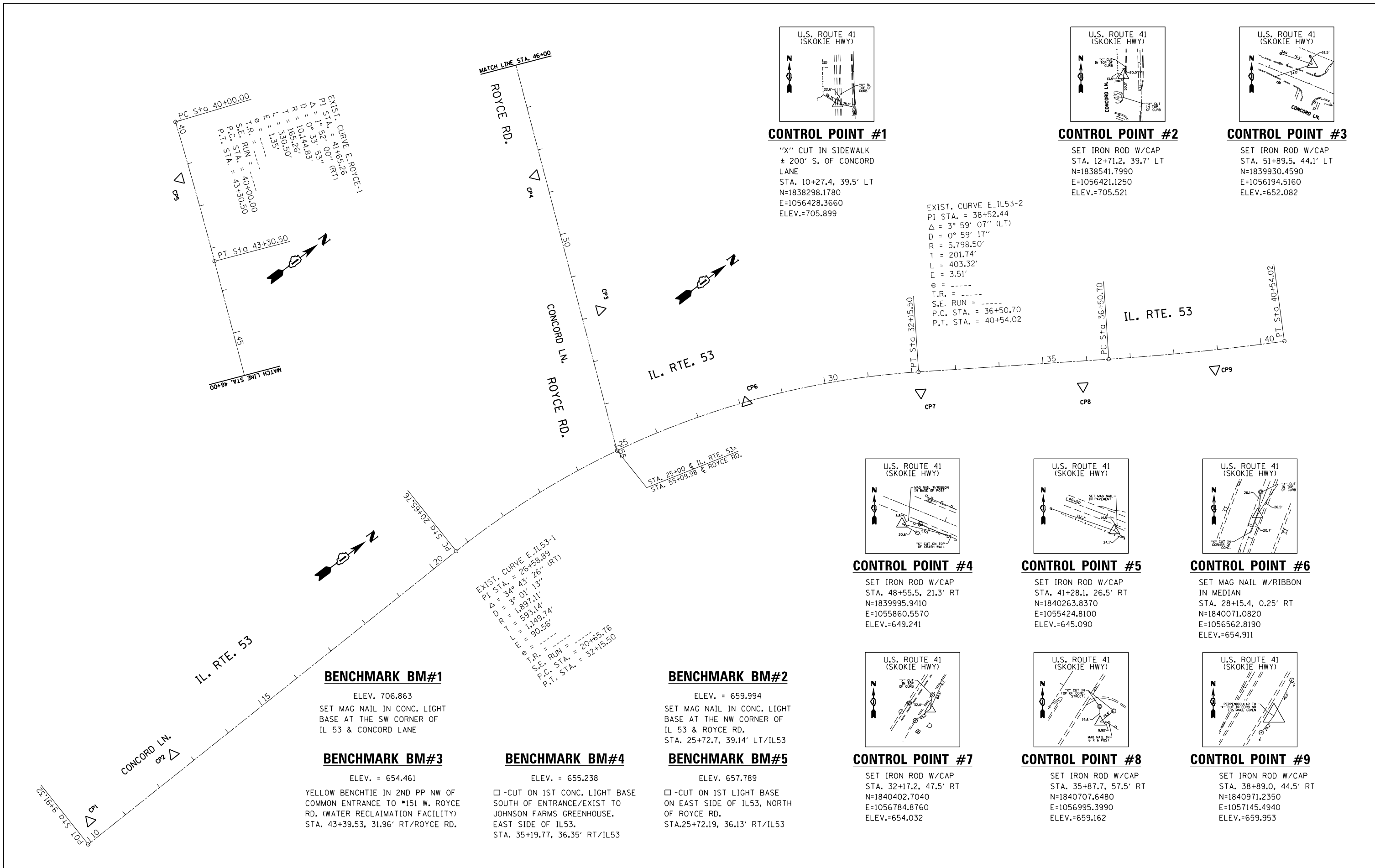
IL RTE 53 AT ROYCE ROAD	EARTH EXCAVATION (CU. YD.)	TOP SOIL EXCAVATION (CU. YD.)	EXCAVATION USED AS EMBANKMENT (SHRINKAGE 15%) (CU. YD.)	EXCAVATION USED AS TOP SOIL EXCAVATION (SHRINKAGE 15%) (CU. YD.)	EMBANKMENT (CU. YD.)	TOP SOIL PLACEMENT (CU. YD.)	EARTH WORK BALANCE SURPLUS (+) OR SHORTAGE (-) (CU. YD.)	TOP SOIL BALANCE SURPLUS (+) OR SHORTAGE (-) (CU. YD.)
	428	265	364	225	499	138	-135	87
<b>TOTAL</b>	428	265	364	225	499	138	-135	87

## EARTHWORK SCHEDULE (ROYCE RD.)

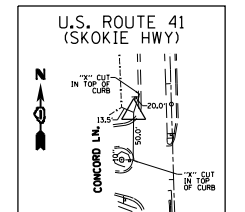
IL RTE 53 AT ROYCE ROAD	EARTH EXCAVATION (CU. YD.)	TOP SOIL EXCAVATION (CU. YD.)	EXCAVATION USED AS EMBANKMENT (SHRINKAGE 15%) (CU. YD.)	EXCAVATION USED AS TOP SOIL EXCAVATION (SHRINKAGE 15%) (CU. YD.)	EMBANKMENT (CU. YD.)	TOP SOIL PLACEMENT (CU. YD.)	EARTH WORK BALANCE SURPLUS (+) OR SHORTAGE (-) (CU. YD.)	TOP SOIL BALANCE SURPLUS (+) OR SHORTAGE (-) (CU. YD.)
	71	41	60	35	4	25	56	10
<b>TOTAL</b>	71	41	60	35	4	25	56	10

## TREE REMOVAL SCHEDULE

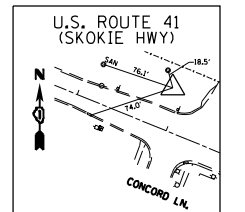
STATION	OFFSET/SIDE (FEET)	6 TO 15 UNIT (DIA.)	OVER 15 UNIT (DIA.)
19+39	0.0'	6	
19+52	0.0'	7	
21+16	0.0'	8	
25+60	0.0'	6	
26+02	0.0'	6	
26+45	0.0'	6	
27+06	0.0'	6	
26+10	64.8' LT	8	
27+27	51.4' LT	6	
54+15	70.5' LT		2@20"
54+18	69.6' LT		2@20"
54+28	68.5' LT		2@16"
<b>TOTAL</b>		<b>6 TO 15 UNIT DIA. = 59</b>	
		<b>OVER 15 UNIT DIA. = 112</b>	



**CONTROL POINT #1**  
 "X" CUT IN SIDEWALK  
 ± 200' S. OF CONCORD  
 LANE  
 STA. 10+27.4, 39.5' LT  
 N=1838298.1780  
 E=1056428.3660  
 ELEV.=705.899



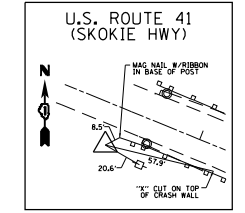
**CONTROL POINT #2**  
 SET IRON ROD W/CAP  
 STA. 12+71.2, 39.7' LT  
 N=1838541.7990  
 E=1056421.1250  
 ELEV.=705.521



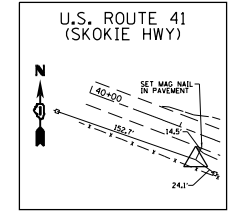
**CONTROL POINT #3**  
 SET IRON ROD W/CAP  
 STA. 51+89.5, 44.1' LT  
 N=1839930.4590  
 E=1056194.5160  
 ELEV.=652.082

EXIST. CURVE E\_1L53-2  
 PI STA. = 38+52.44  
 Δ = 3° 59' 07" (LT)  
 D = 0° 59' 17"  
 R = 5,798.50'  
 T = 201.74'  
 L = 403.32'  
 E = 3.51'  
 e = ----  
 T.R. = ----  
 S.E. RUN = ----  
 P.C. STA. = 36+50.70  
 P.T. STA. = 40+54.02

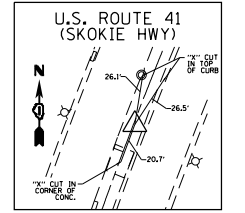
EXIST. CURVE E\_1L53-1  
 PI STA. = 26+58.89  
 Δ = 3° 01' 13"  
 D = 1,897.11'  
 R = 593.14'  
 T = 1,149.74'  
 L = 90.56'  
 E = 90.56'  
 e = ----  
 T.R. = RUN = 20+65.76  
 S.E. STA. = 20+65.76  
 P.C. STA. = 32+15.50  
 P.T. STA. = 32+15.50



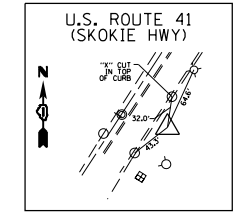
**CONTROL POINT #4**  
 SET IRON ROD W/CAP  
 STA. 48+55.5, 21.3' RT  
 N=1839995.9410  
 E=1055860.5570  
 ELEV.=649.241



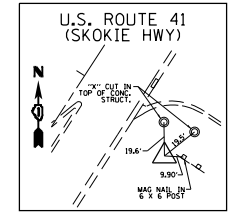
**CONTROL POINT #5**  
 SET IRON ROD W/CAP  
 STA. 41+28.1, 26.5' RT  
 N=1840263.8370  
 E=1055424.8100  
 ELEV.=645.090



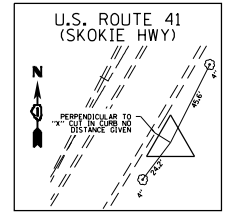
**CONTROL POINT #6**  
 SET MAG NAIL W/RIBBON  
 IN MEDIAN  
 STA. 28+15.4, 0.25' RT  
 N=1840071.0820  
 E=1056562.8190  
 ELEV.=654.911



**CONTROL POINT #7**  
 SET IRON ROD W/CAP  
 STA. 32+17.2, 47.5' RT  
 N=1840402.7040  
 E=1056784.8760  
 ELEV.=654.032



**CONTROL POINT #8**  
 SET IRON ROD W/CAP  
 STA. 35+87.7, 57.5' RT  
 N=1840707.6480  
 E=1056995.3990  
 ELEV.=659.162



**CONTROL POINT #9**  
 SET IRON ROD W/CAP  
 STA. 38+89.0, 44.5' RT  
 N=1840971.2350  
 E=1057145.4940  
 ELEV.=659.953

**BENCHMARK BM#1**  
 ELEV. 706.863  
 SET MAG NAIL IN CONC. LIGHT  
 BASE AT THE SW CORNER OF  
 IL 53 & CONCORD LANE

**BENCHMARK BM#3**  
 ELEV. = 654.461  
 YELLOW BENCHTIE IN 2ND PP NW OF  
 COMMON ENTRANCE TO #151 W. ROYCE  
 RD. (WATER RECLAMATION FACILITY)  
 STA. 43+39.53, 31.96' RT/ROYCE RD.

**BENCHMARK BM#4**  
 ELEV. = 655.238  
 □ -CUT ON 1ST CONC. LIGHT BASE  
 SOUTH OF ENTRANCE/EXIST TO  
 JOHNSON FARMS GREENHOUSE.  
 EAST SIDE OF IL53.  
 STA. 35+19.77, 36.35' RT/IL53

**BENCHMARK BM#2**  
 ELEV. = 659.994  
 SET MAG NAIL IN CONC. LIGHT  
 BASE AT THE NW CORNER OF  
 IL 53 & ROYCE RD.  
 STA. 25+72.7, 39.14' LT/IL53

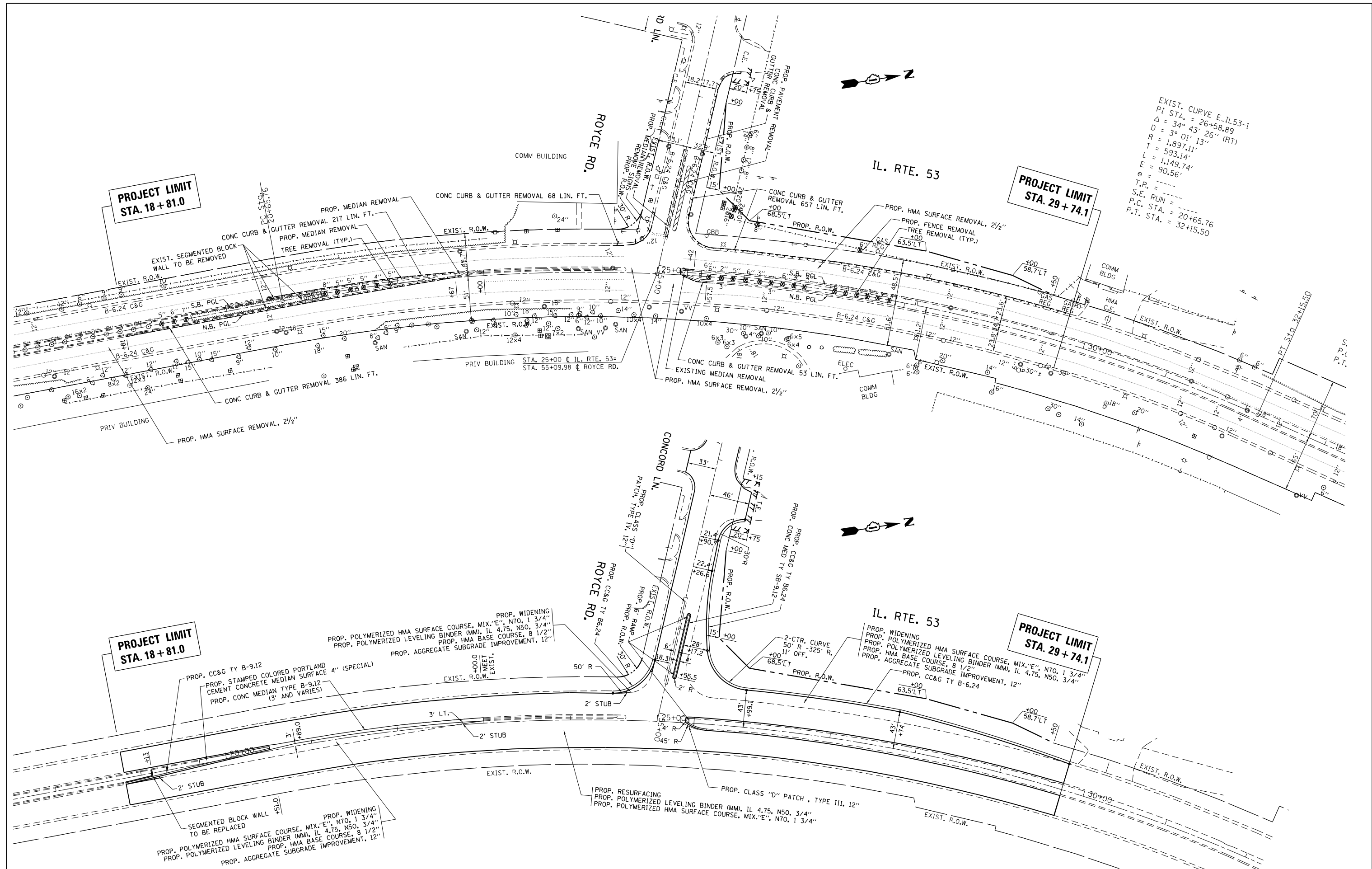
**BENCHMARK BM#5**  
 ELEV. 657.789  
 □ -CUT ON 1ST LIGHT BASE  
 ON EAST SIDE OF IL53, NORTH  
 OF ROYCE RD.  
 STA.25+72.19, 36.13' RT/IL53

STATE OF ILLINOIS  
 DEPARTMENT OF TRANSPORTATION

ALIGNMENTS, TIES AND BENCHMARKS  
 IL ROUTE 53 AT ROYCE ROAD

FILE NAME =	USER NAME = hassann	DESIGNED -	REVISED -
p:\w\11084EBID\INTEG\11\inois.gov\PI\DOT\Documents\DOT Offices\District 1\Projects\PI14312\CAD\Drawings\PI14312-sht-ATB.dgn		REVISOR -	REVISED -
Default	PLOT SCALE = 200.0000' / in.	CHECKED -	REVISED -
	PLOT DATE = 3/30/2016	DATE -	REVISED -

SCALE: NONE	SHEET OF SHEETS	STA. TO STA.	F.A.P. RTE. 870	SECTION 534-1 N	COUNTY WILL	TOTAL SHEETS 62	SHEET NO. 12
						CONTRACT NO. 60X59	
ILLINOIS FED. AID PROJECT							



EXIST. CURVE E-IL53-1  
 PI STA. = 26+58.89  
 $\Delta = 34^\circ 43' 26''$  (RT)  
 $D = 3^\circ 01' 13''$   
 $T = 1,897.11'$   
 $L = 593.14'$   
 $E = 1,149.74'$   
 $e = 90.56'$   
 T.R. = -----  
 S.E. RUN = -----  
 P.C. STA. = 20+65.76  
 P.T. STA. = 32+15.50

**PROJECT LIMIT**  
**STA. 18 + 81.0**

**PROJECT LIMIT**  
**STA. 29 + 74.1**

**PROJECT LIMIT**  
**STA. 18 + 81.0**

**PROJECT LIMIT**  
**STA. 29 + 74.1**

**STATE OF ILLINOIS**  
**DEPARTMENT OF TRANSPORTATION**

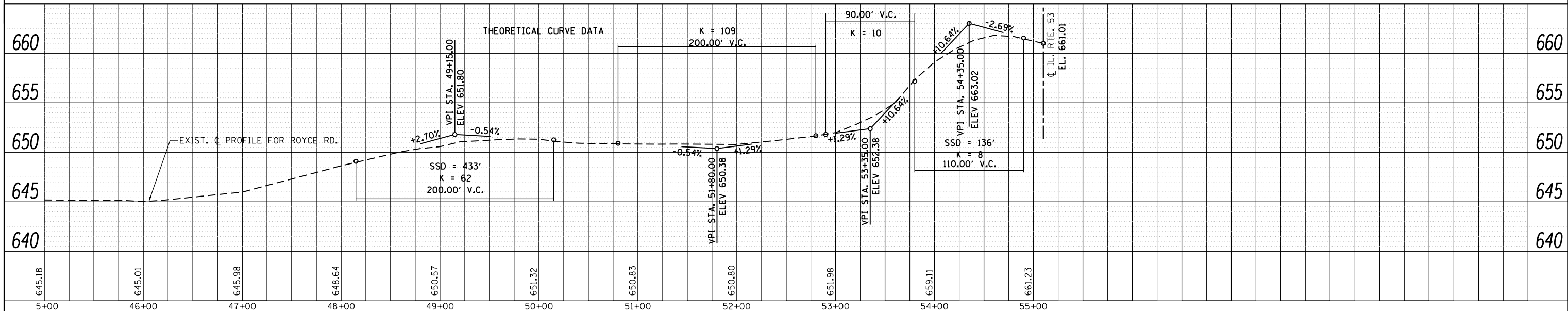
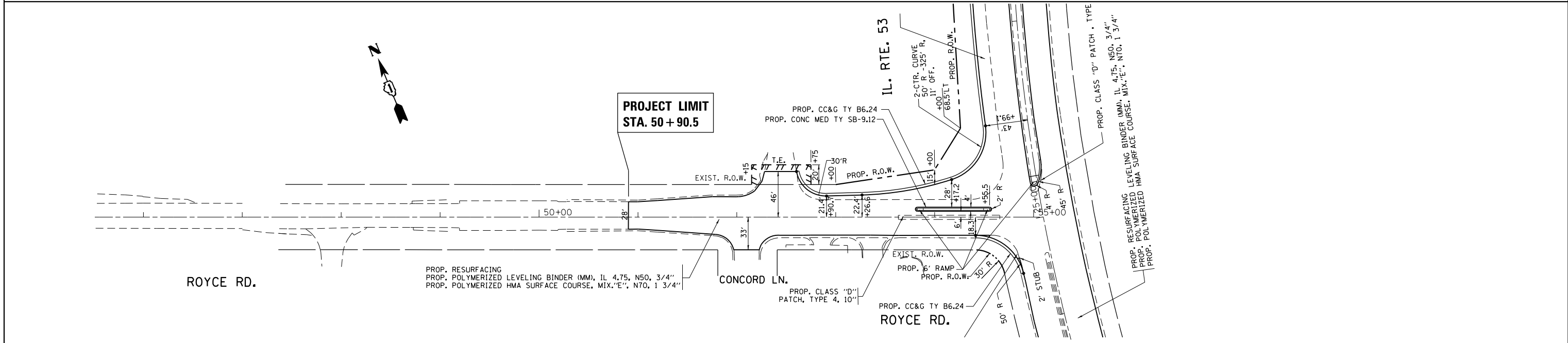
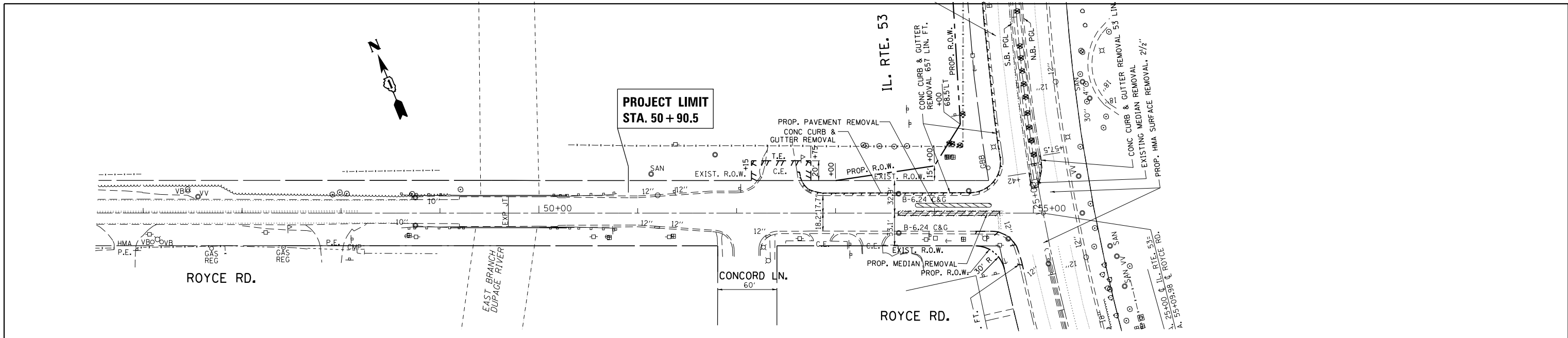
**IL. ROUTE 53 AT ROYCE RD.**  
**EXISTING & PROPOSED ROADWAY PLAN**  
 SCALE: 1"=50'  
 SHEET OF SHEETS STA. TO STA.

FILE NAME =	USER NAME = hassann	DESIGNED -	REVISED -
pw:\IL084EBIDINTEG\illinois.gov\PI\DOT Documents\DOT Offices\District 1\Projects\PI14312\Drawings\CADsheets\PI14312-sht-plnpr.f.d		CHECKED -	REVISED -
Default	PLOT DATE = 5/2/2016	DATE -	REVISED -

F.A.P. RTE.	SECTION	COUNTY	TOTAL SHEETS	SHEET NO.
870	534-1-N	WILL	62	13
CONTRACT NO. 60X59				
ILLINOIS FED. AID PROJECT				

PLAN	SURVEYED	DATE
	PLOTTED	
	NOTE BOOK	
	NO.	
	CHECKED	
	FILE NAME	

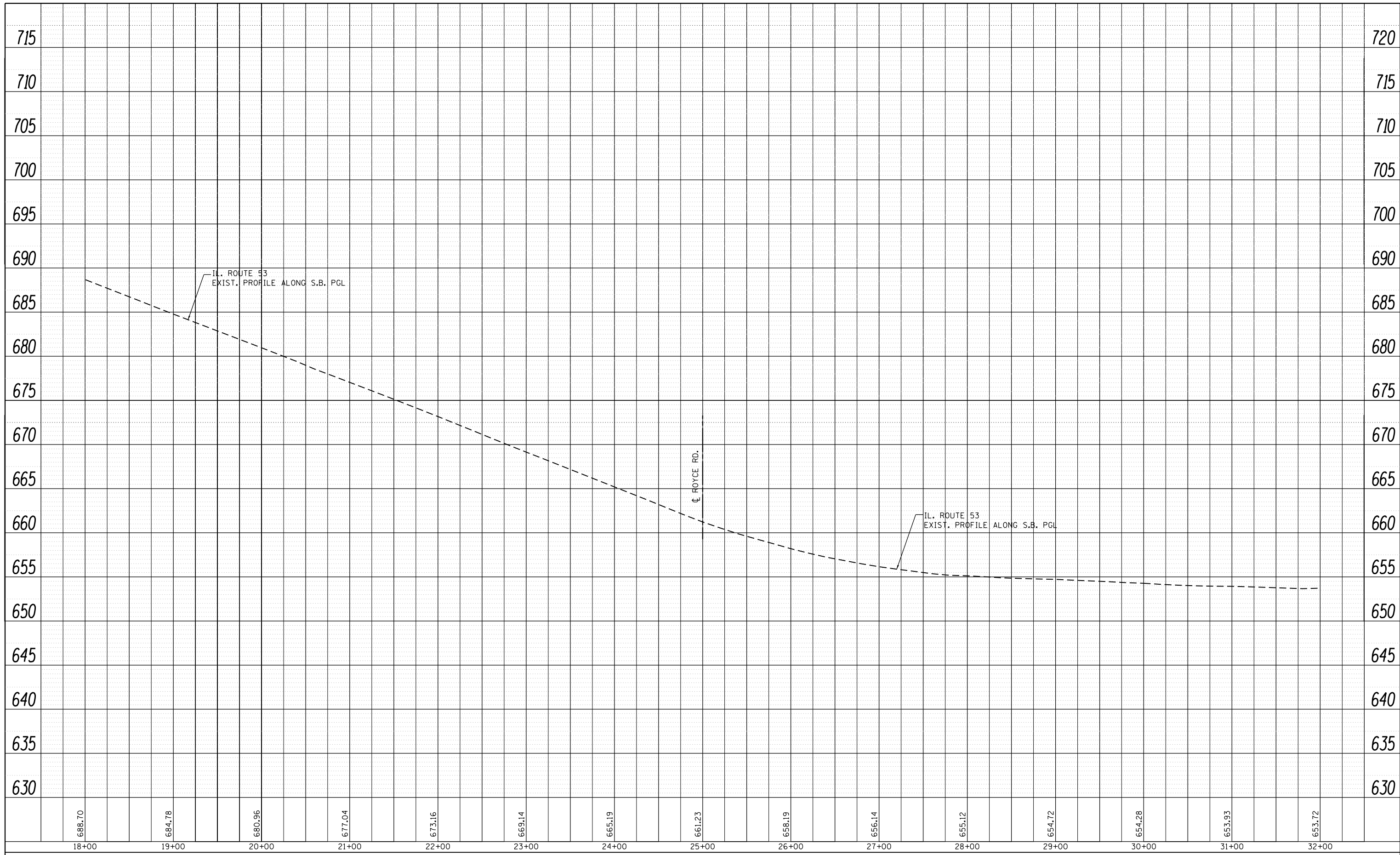
PROFILE	SURVEYED	DATE
	PLOTTED	
	NOTE BOOK	
	NO.	
	CHECKED	
	FILE NAME	



FILE NAME =	USER NAME = hassann	DESIGNED -	REVISED -	<b>STATE OF ILLINOIS</b> <b>DEPARTMENT OF TRANSPORTATION</b>	<b>ROYCE RD. at IL. ROUTE 53</b> <b>ROADWAY PLAN AND PROFILE</b>	F.A.P. RTE.	SECTION	COUNTY	TOTAL SHEETS	SHEET NO.
						870	534-1-N	WILL	62	14
						CONTRACT NO. 60X59				
						ILLINOIS FED. AID PROJECT				

PLAN	SURVEYED	BY	DATE
	PLOTTED		
	GRADES CHECKED		
	STRUCTURE NOT AT THIS OFFICE		
	NOTE BOOK NO.		
	CADD FILE NAME		

PROFILE	SURVEYED	BY	DATE
	PLOTTED		
	GRADES CHECKED		
	STRUCTURE NOT AT THIS OFFICE		
	NOTE BOOK NO.		
	CADD FILE NAME		



FILE NAME =	USER NAME = hassan	DESIGNED -	REVISED -
p:\114312\114312.dwg		DRAWN -	REVISED -
		CHECKED -	REVISED -
		DATE -	REVISED -

**STATE OF ILLINOIS  
DEPARTMENT OF TRANSPORTATION**

**IL. ROUTE 53 AT ROYCE RD.  
ROADWAY PROFILE**

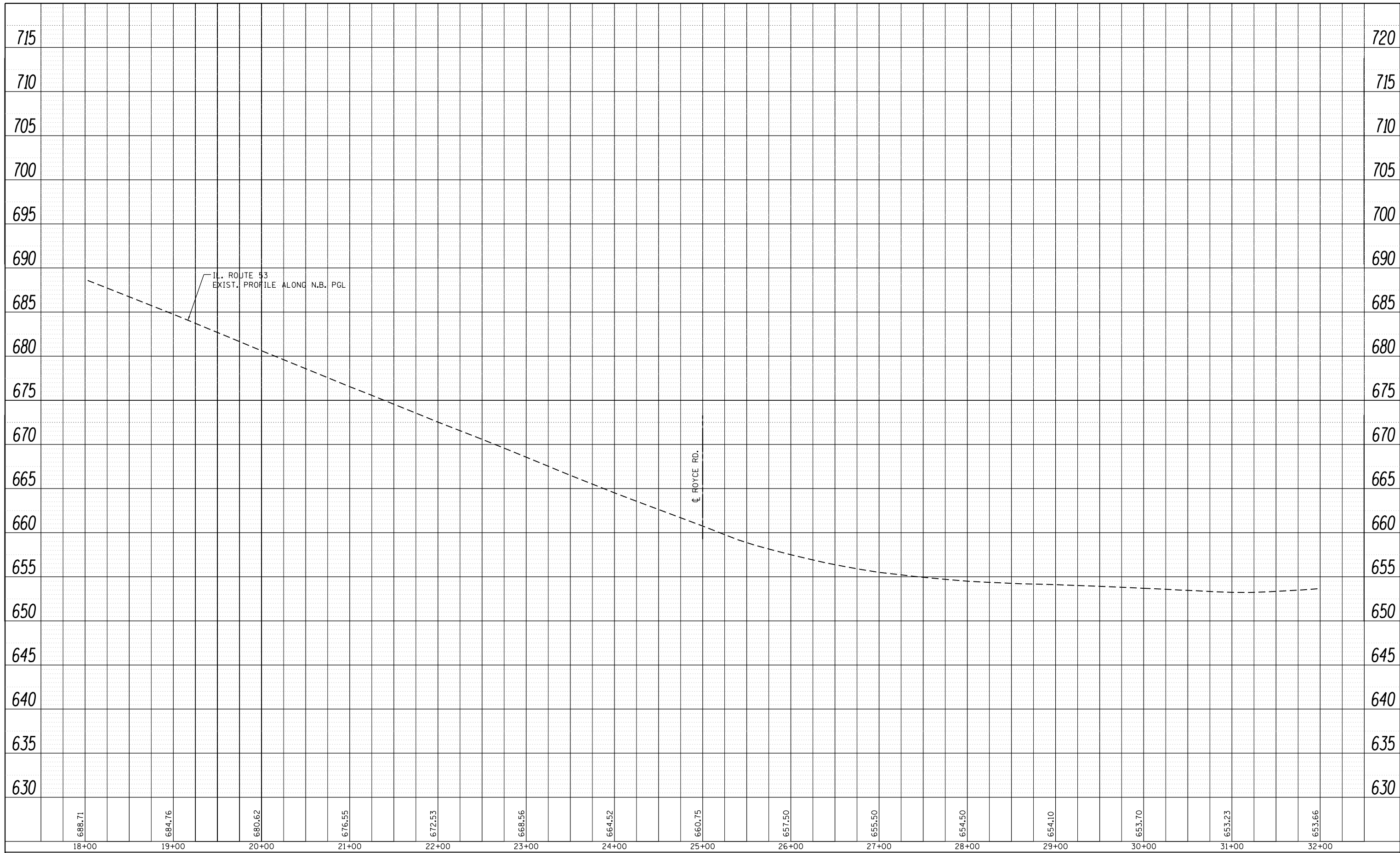
SCALE: 1"=50'      SHEET      OF      SHEETS      STA.      TO      STA.

F.A.P. RTE.	SECTION	COUNTY	TOTAL SHEETS	SHEET NO.
873	34-1-N	WILL	62	15
CONTRACT NO. 60X59			ILLINOIS FED. AID PROJECT	



PLAN	SURVEYED	BY	DATE
	PLOTTED		
	GRADES CHECKED		
	STRUCTURE NOT AT THIS OFFICE		
	NOTE BOOK NO.		
	FILE NAME		

PROFILE	SURVEYED	BY	DATE
	PLOTTED		
	GRADES CHECKED		
	STRUCTURE NOT AT THIS OFFICE		
	NOTE BOOK NO.		
	FILE NAME		



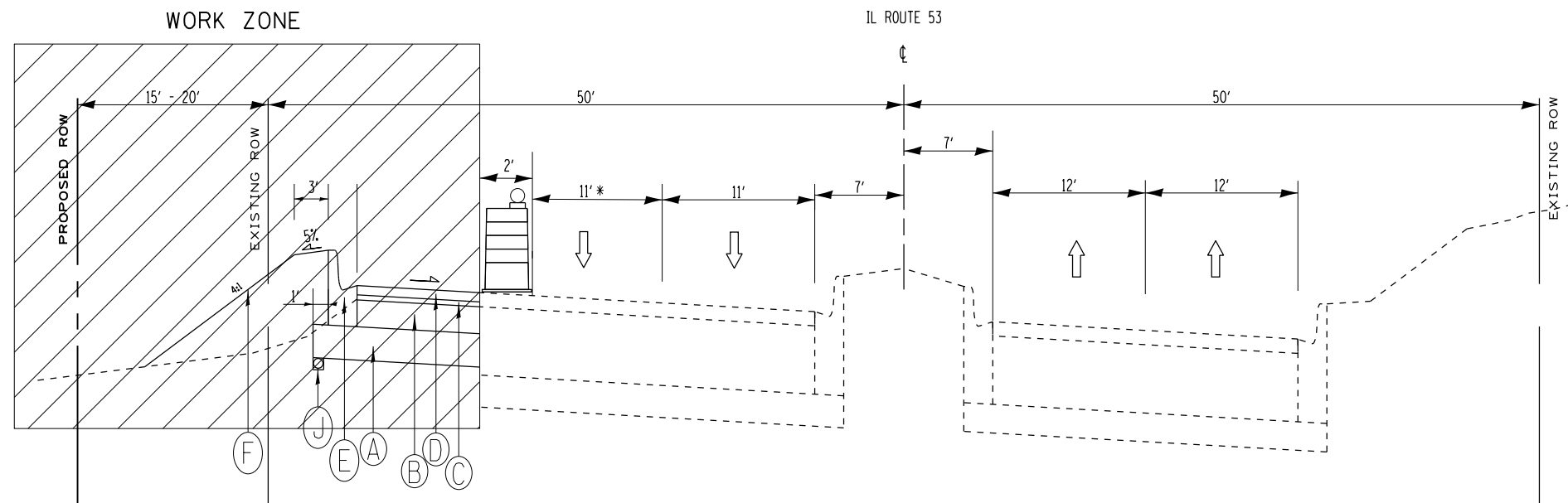
FILE NAME =	USER NAME = hassan	DESIGNED -	REVISED -
p:\114312\114312.dwg		DRAWN -	REVISED -
	PLOT SCALE = 100.0000' / 1in.	CHECKED -	REVISED -
	PLOT DATE = 3/30/2016	DATE -	REVISED -

**STATE OF ILLINOIS  
DEPARTMENT OF TRANSPORTATION**

**IL. ROUTE 53 AT ROYCE RD.  
ROADWAY PROFILE**

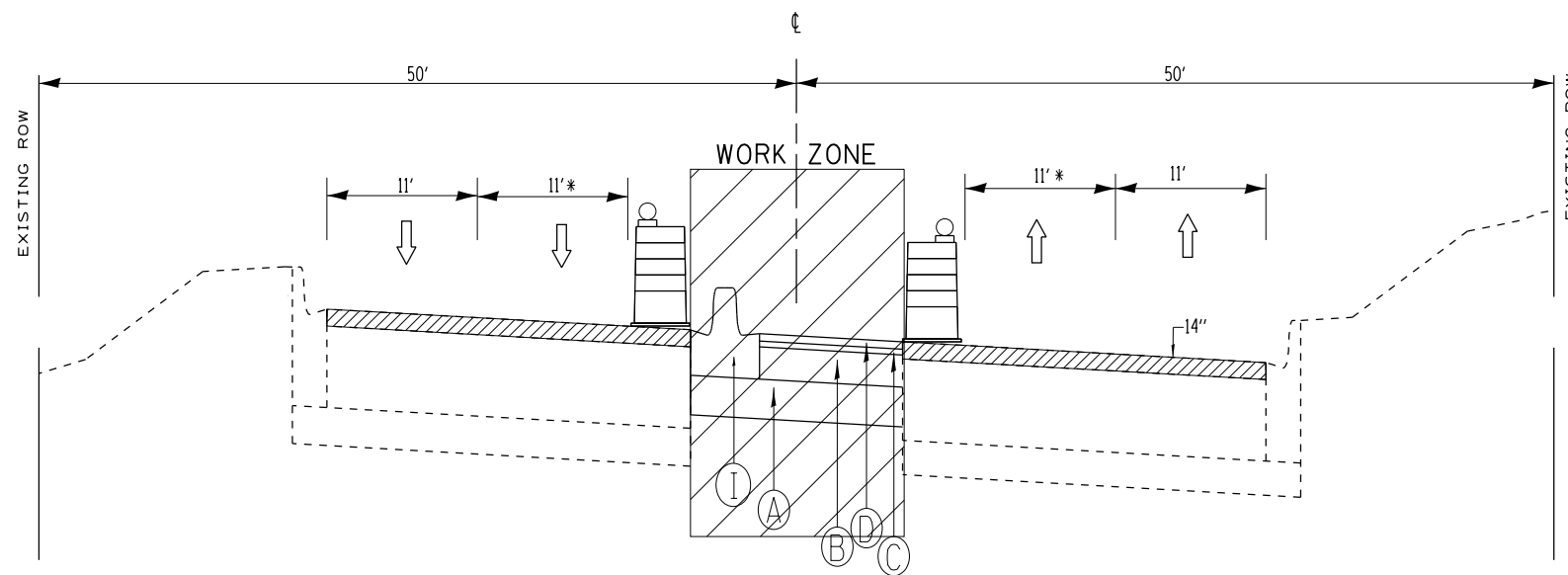
SCALE: 1"=50'      SHEET      OF      SHEETS      STA.      TO      STA.

F.A.P. RTE.	SECTION	COUNTY	TOTAL SHEETS	SHEET NO.
873	34-1-N	WILL	62	16
CONTRACT NO. 60X59			ILLINOIS FED. AID PROJECT	



PROPOSED SATGE 1 TYPICAL CROSS SECTION  
 IL 53/ N. BOLINGBROOK DRIVE (STA. 25+00 TO STA. 29+74.1)

- LEGEND**
- (A) PROPOSED AGGREGATE SUBGRADE IMPROVEMENT, 12"
  - (B) PROPOSED HMA BASE COURSE, 8 1/2" (2 1/4 in Min. LIFTS)
  - (C) PROPOSED POLYMERIZED LEVELING BINDER (MACHINE METHOD), N50, IL 4.75 3/4"
  - (D) PROPOSED POLYMERIZED HMA SURFACE COURSE, MIX "E", N70, 1 3/4"
  - (E) PROPOSED CURB AND GUTTER, B6.24 OR B9.12 (SEE PROP. PLAN)
  - (F) PROPOSED TOP SOIL, 6"
  - (G) EXISTING MEDIAN TO BE REMOVED
  - (H) PROPOSED CLASS D PATCH (FULL DEPTH)
  - (I) PROPOSED CONC. MEDIAN TYPE SB-9.12 (SEE ROADWAY PLAN SHEET FOR LOCATIONS)
  - (J) PROPOSED PIPE UNDERDRAIN, 4" (SEE DRAINAGE PLAN FOR LOCATION)

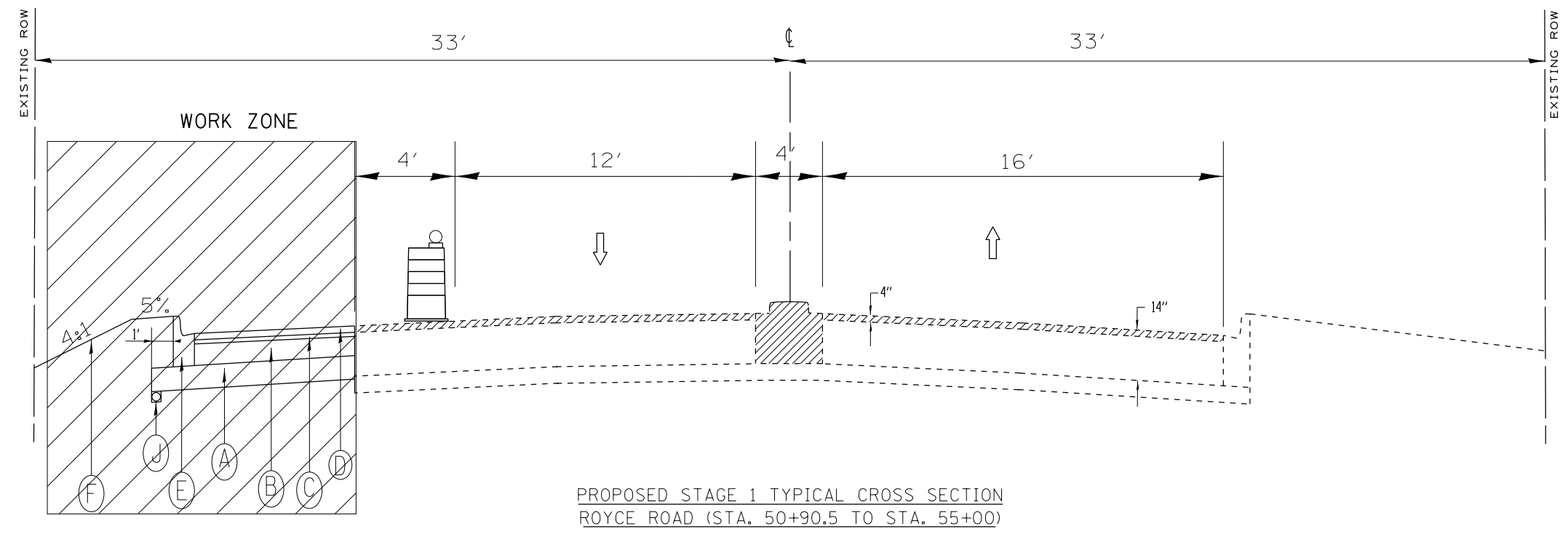


PROPOSED STAGE 2 TYPICAL CROSS SECTION  
 IL 53/ N. BOLINGBROOK DRIVE (STA. 18+81 TO STA. 25+00)

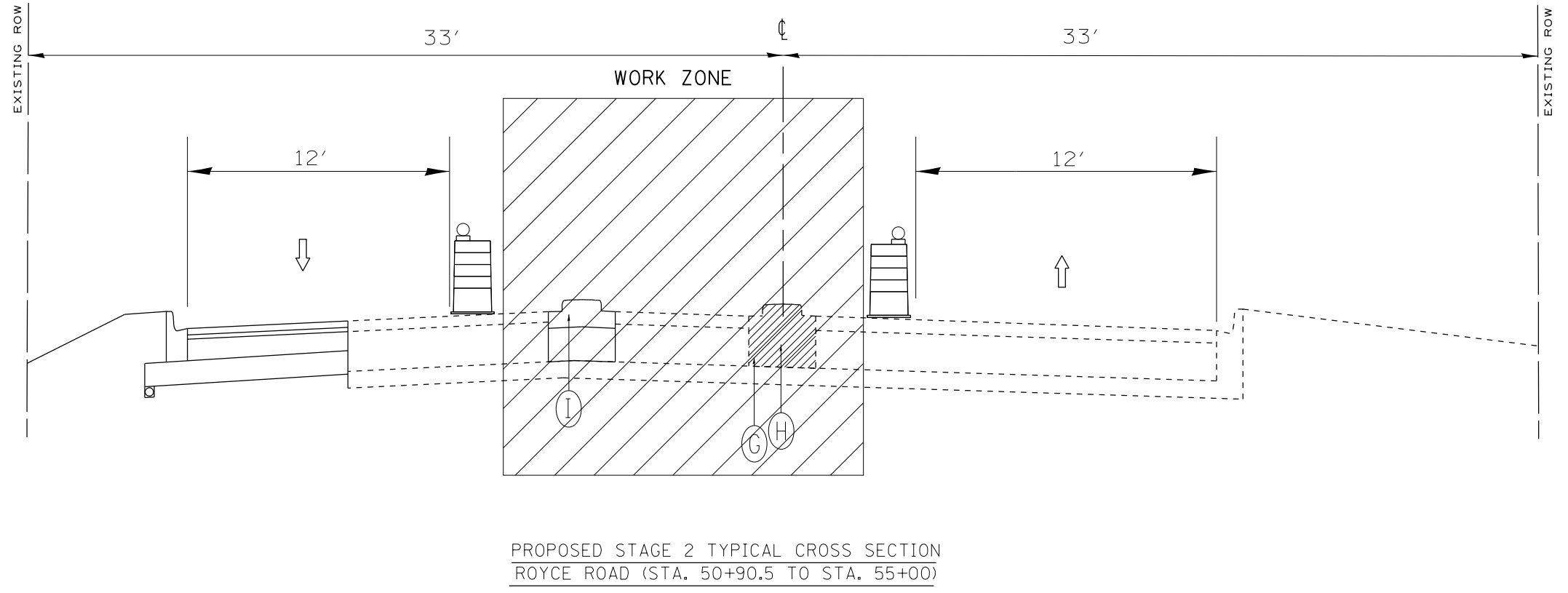
**NOTE:**

\* TEMPORARY DAYTIME LANE CLOSURE

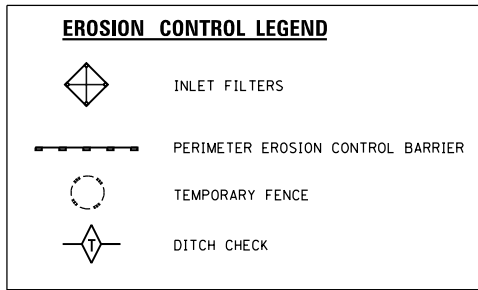
FILE NAME =	USER NAME = guillaumejp	DESIGNED -	REVISED -	<b>STATE OF ILLINOIS DEPARTMENT OF TRANSPORTATION</b>	<b>SUGGESTED STAGE 1 &amp; 2 AND TRAFFIC CONTROL TYPICAL SECTIONS</b>				F.A.P. RTE.	SECTION	COUNTY	TOTAL SHEETS	SHEET NO.
Default									870	534-1-N	WILL	62	16A
	PLOT SCALE = 100.1174' / in.	CHECKED -	REVISED -		CONTRACT NO. 60X59				ILLINOIS FED. AID PROJECT				
	PLOT DATE = 8/9/2016	DATE -	REVISED -		SCALE:	SHEET	OF	SHEETS	STA.	TO	STA.		



- LEGEND**
- ⑥ PROPOSED AGGREGATE SUBGRADE IMPROVEMENT, 12"
  - ⑦ PROPOSED HMA BASE COURSE, 8 1/2" (2 1/4 in Min. LIFTS)
  - ⑧ PROPOSED POLYMERIZED LEVELING BINDER (MACHINE METHOD), N50, IL 4.75 3/4"
  - ⑨ PROPOSED POLYMERIZED HMA SURFACE COURSE, MIX "E", N70, 1 3/4"
  - ⑩ PROPOSED CURB AND GUTTER, B6.24 OR B9.12 (SEE PROP. PLAN)
  - ⑪ PROPOSED TOP SOIL, 6"
  - ⑫ EXISTING MEDIAN TO BE REMOVED
  - ⑬ PROPOSED CLASS D PATCH (FULL DEPTH)
  - ⑭ PROPOSED CONC. MEDIAN TYPE SB-9.12 (SEE ROADWAY PLAN SHEET FOR LOCATIONS)
  - ⑮ PROPOSED PIPE UNDERDRAIN, 4" (SEE DRAINAGE PLAN FOR LOCATION)

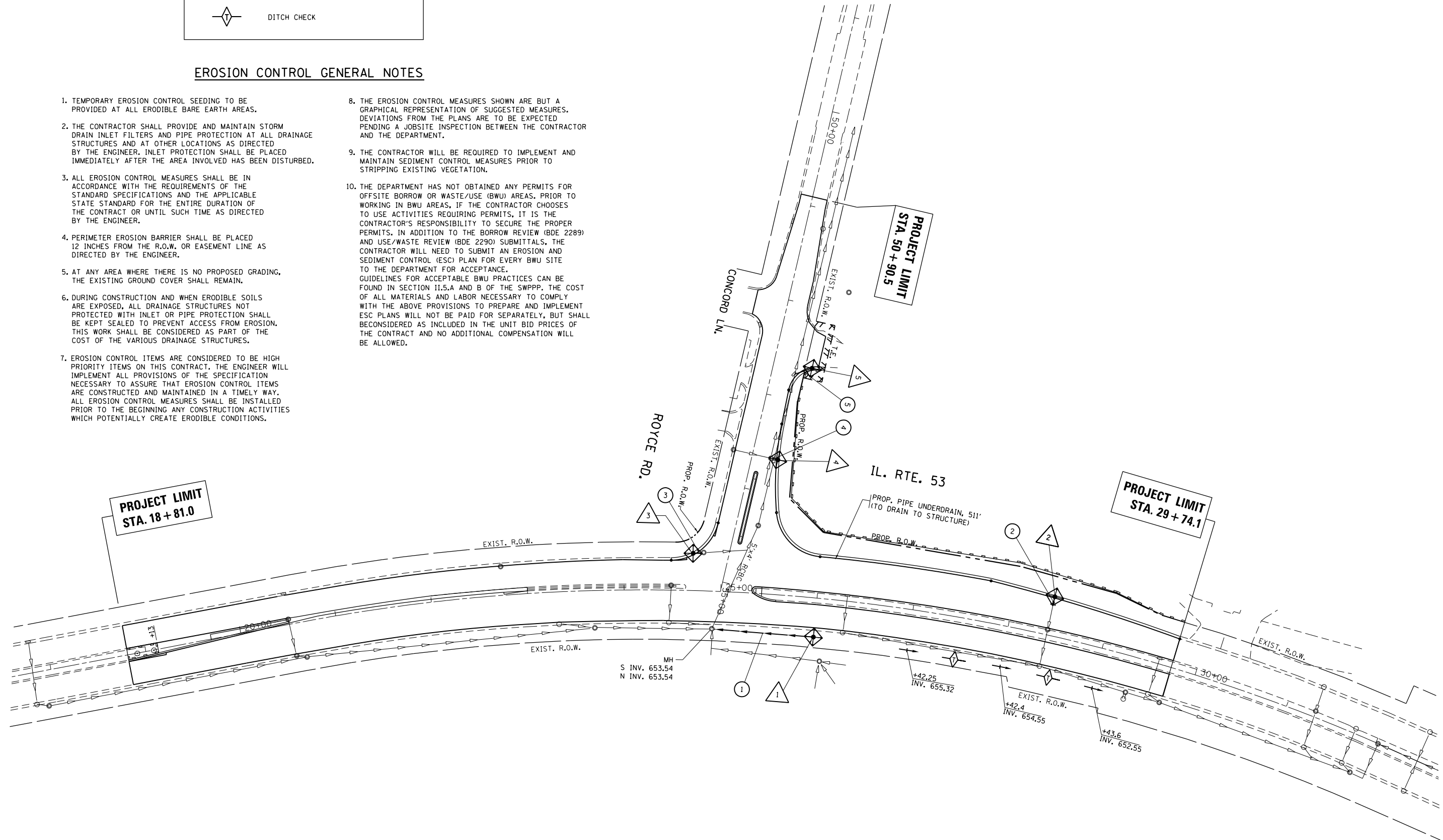


FILE NAME -	USER NAME - guillaumejp	DESIGNED -	REVISED -	<b>STATE OF ILLINOIS DEPARTMENT OF TRANSPORTATION</b>	<b>SUGGESTED STAGE 1 &amp; 2 AND TRAFFIC CONTROL TYPICAL SECTIONS (ROYCE RD.)</b>	F.A.P. RTE.	SECTION	COUNTY	TOTAL SHEETS	SHEET NO.	
Default	100.2806 / in.	CHECKED -	REVISED -			870	534-1-N	WILL	62	16B	
	PLOT DATE = 8/9/2016	DATE -	REVISED -			CONTRACT NO. 60X59					
						ILLINOIS FED. AID PROJECT					

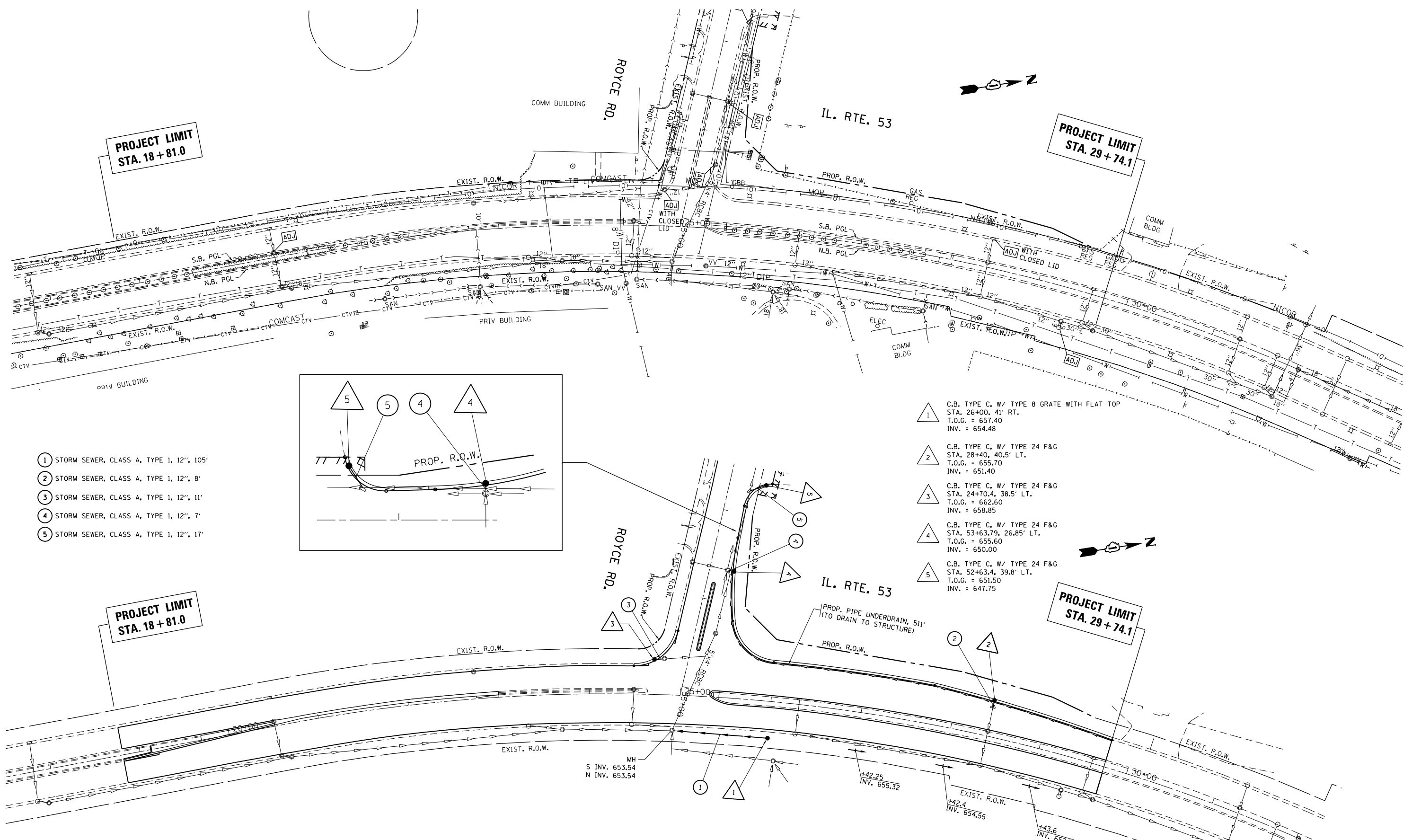


**EROSION CONTROL GENERAL NOTES**

1. TEMPORARY EROSION CONTROL SEEDING TO BE PROVIDED AT ALL ERODIBLE BARE EARTH AREAS.
2. THE CONTRACTOR SHALL PROVIDE AND MAINTAIN STORM DRAIN INLET FILTERS AND PIPE PROTECTION AT ALL DRAINAGE STRUCTURES AND AT OTHER LOCATIONS AS DIRECTED BY THE ENGINEER. INLET PROTECTION SHALL BE PLACED IMMEDIATELY AFTER THE AREA INVOLVED HAS BEEN DISTURBED.
3. ALL EROSION CONTROL MEASURES SHALL BE IN ACCORDANCE WITH THE REQUIREMENTS OF THE STANDARD SPECIFICATIONS AND THE APPLICABLE STATE STANDARD FOR THE ENTIRE DURATION OF THE CONTRACT OR UNTIL SUCH TIME AS DIRECTED BY THE ENGINEER.
4. PERIMETER EROSION BARRIER SHALL BE PLACED 12 INCHES FROM THE R.O.W. OR EASEMENT LINE AS DIRECTED BY THE ENGINEER.
5. AT ANY AREA WHERE THERE IS NO PROPOSED GRADING, THE EXISTING GROUND COVER SHALL REMAIN.
6. DURING CONSTRUCTION AND WHEN ERODIBLE SOILS ARE EXPOSED, ALL DRAINAGE STRUCTURES NOT PROTECTED WITH INLET OR PIPE PROTECTION SHALL BE KEPT SEALED TO PREVENT ACCESS FROM EROSION. THIS WORK SHALL BE CONSIDERED AS PART OF THE COST OF THE VARIOUS DRAINAGE STRUCTURES.
7. EROSION CONTROL ITEMS ARE CONSIDERED TO BE HIGH PRIORITY ITEMS ON THIS CONTRACT. THE ENGINEER WILL IMPLEMENT ALL PROVISIONS OF THE SPECIFICATION NECESSARY TO ASSURE THAT EROSION CONTROL ITEMS ARE CONSTRUCTED AND MAINTAINED IN A TIMELY WAY. ALL EROSION CONTROL MEASURES SHALL BE INSTALLED PRIOR TO THE BEGINNING ANY CONSTRUCTION ACTIVITIES WHICH POTENTIALLY CREATE ERODIBLE CONDITIONS.
8. THE EROSION CONTROL MEASURES SHOWN ARE BUT A GRAPHICAL REPRESENTATION OF SUGGESTED MEASURES. DEVIATIONS FROM THE PLANS ARE TO BE EXPECTED PENDING A JOBSITE INSPECTION BETWEEN THE CONTRACTOR AND THE DEPARTMENT.
9. THE CONTRACTOR WILL BE REQUIRED TO IMPLEMENT AND MAINTAIN SEDIMENT CONTROL MEASURES PRIOR TO STRIPPING EXISTING VEGETATION.
10. THE DEPARTMENT HAS NOT OBTAINED ANY PERMITS FOR OFFSITE BORROW OR WASTE/USE (BWU) AREAS. PRIOR TO WORKING IN BWU AREAS, IF THE CONTRACTOR CHOOSES TO USE ACTIVITIES REQUIRING PERMITS, IT IS THE CONTRACTOR'S RESPONSIBILITY TO SECURE THE PROPER PERMITS. IN ADDITION TO THE BORROW REVIEW (BDE 2289) AND USE/WASTE REVIEW (BDE 2290) SUBMITTALS, THE CONTRACTOR WILL NEED TO SUBMIT AN EROSION AND SEDIMENT CONTROL (ESC) PLAN FOR EVERY BWU SITE TO THE DEPARTMENT FOR ACCEPTANCE. GUIDELINES FOR ACCEPTABLE BWU PRACTICES CAN BE FOUND IN SECTION 11.5.A AND B OF THE SWPPP. THE COST OF ALL MATERIALS AND LABOR NECESSARY TO COMPLY WITH THE ABOVE PROVISIONS TO PREPARE AND IMPLEMENT ESC PLANS WILL NOT BE PAID FOR SEPARATELY, BUT SHALL BE CONSIDERED AS INCLUDED IN THE UNIT BID PRICES OF THE CONTRACT AND NO ADDITIONAL COMPENSATION WILL BE ALLOWED.



FILE NAME =	USER NAME = hassann	DESIGNED -	REVISED -	<b>STATE OF ILLINOIS DEPARTMENT OF TRANSPORTATION</b>	<b>IL. ROUTE 53 AT ROYCE RD. EROSION CONTROL PLAN</b>	F.A.P. RTE.	SECTION	COUNTY	TOTAL SHEETS	SHEET NO.	
pw:\IL\084EBID\INTEG.illinois.gov\PIWIDOT\Documents\IDOT Offices\District 1\Projects\PI14312\Drawings\CAD\Sheets\PI14312-sht-eros.dgn	PLOT SCALE = 100.0000' / 1in.	CHECKED -	REVISED -			870	534-1-N	WILL	62	17	
Default	PLOT DATE = 3/30/2016	DATE -	REVISED -			<b>CONTRACT NO. 60X59</b>					
						SCALE: 1"=50'	SHEET	OF	SHEETS	STA.	TO



- ① STORM SEWER, CLASS A, TYPE 1, 12", 105'
- ② STORM SEWER, CLASS A, TYPE 1, 12", 8'
- ③ STORM SEWER, CLASS A, TYPE 1, 12", 11'
- ④ STORM SEWER, CLASS A, TYPE 1, 12", 7'
- ⑤ STORM SEWER, CLASS A, TYPE 1, 12", 17'

- ① C.B. TYPE C, W/ TYPE B GRATE WITH FLAT TOP  
STA. 26+00, 41' RT.  
T.O.G. = 657.40  
INV. = 654.48
- ② C.B. TYPE C, W/ TYPE 24 F&G  
STA. 28+40, 40.5' LT.  
T.O.G. = 655.70  
INV. = 651.40
- ③ C.B. TYPE C, W/ TYPE 24 F&G  
STA. 24+70.4, 38.5' LT.  
T.O.G. = 662.60  
INV. = 658.85
- ④ C.B. TYPE C, W/ TYPE 24 F&G  
STA. 53+63.79, 26.85' LT.  
T.O.G. = 655.60  
INV. = 650.00
- ⑤ C.B. TYPE C, W/ TYPE 24 F&G  
STA. 52+63.4, 39.8' LT.  
T.O.G. = 651.50  
INV. = 647.75

MH  
S INV. 653.54  
N INV. 653.54

+42.25  
INV. 655.32

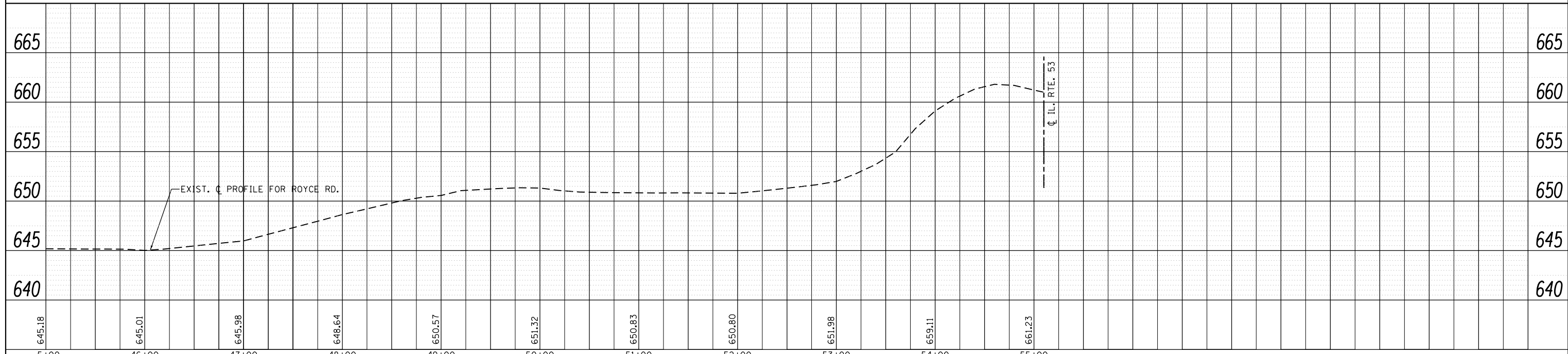
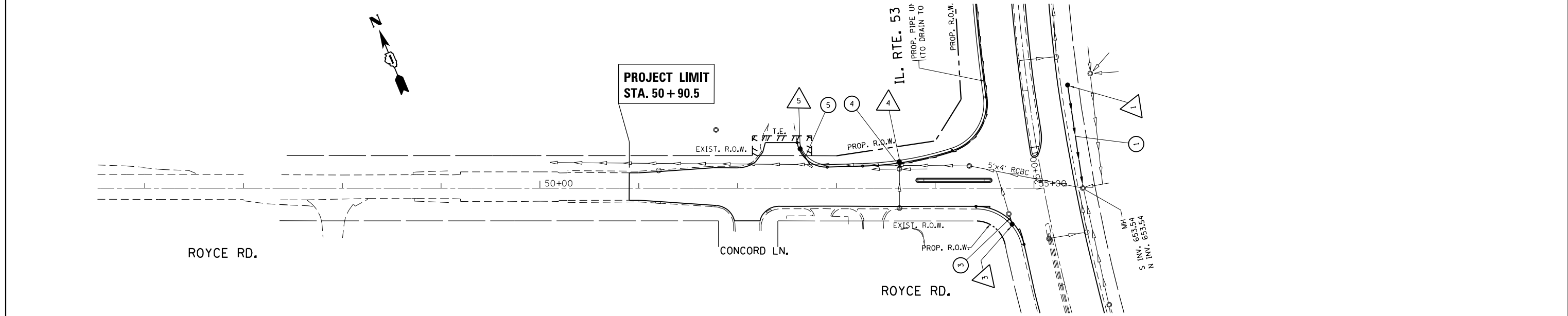
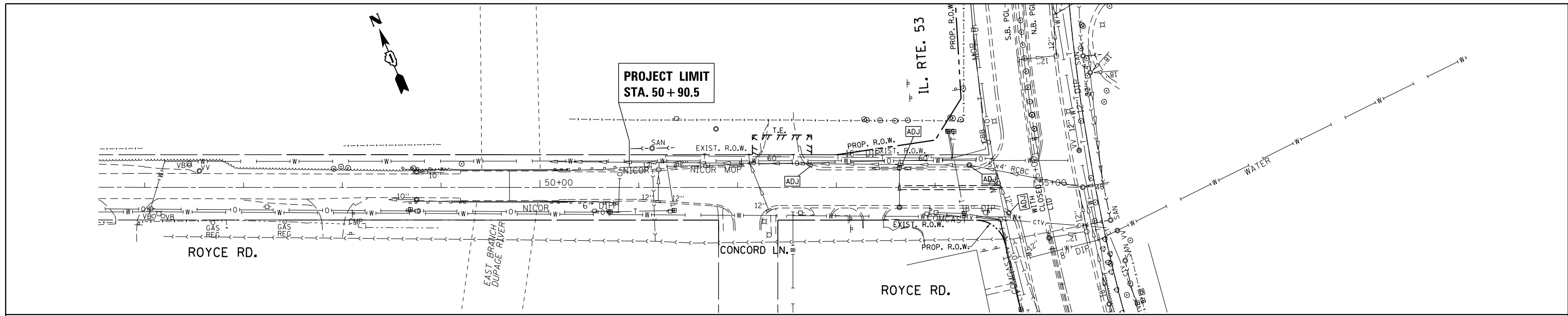
+42.4  
INV. 654.55

+43.6  
INV. 652.55

FILE NAME =	USER NAME = hassann	DESIGNED -	REVISED -	<b>STATE OF ILLINOIS DEPARTMENT OF TRANSPORTATION</b>	<b>IL. ROUTE 53 AT ROYCE RD. EXISTING &amp; PROPOSED DRAINAGE PLAN</b>			F.A.P. RTE.	SECTION	COUNTY	TOTAL SHEETS	SHEET NO.
pw:\IL\084EBIDINTEG\illinois.gov\PIWIDOT\Documents\IDOT Offices\District 1\Projects\PI14312\Drawings\CADsheets\PI14312-shd-drain.dgn		CHECKED -	REVISED -		870	534-1-N	WILL	62	18			
Default	PLOT SCALE = 100.0000' / in.	DATE -	REVISED -		CONTRACT NO. 60X59							
	PLOT DATE = 3/30/2016				ILLINOIS FED. AID PROJECT							

PLAN	SURVEYED	DATE
	PLOTTED	
	CHECKED	
	NO. _____	
	FILE NAME	

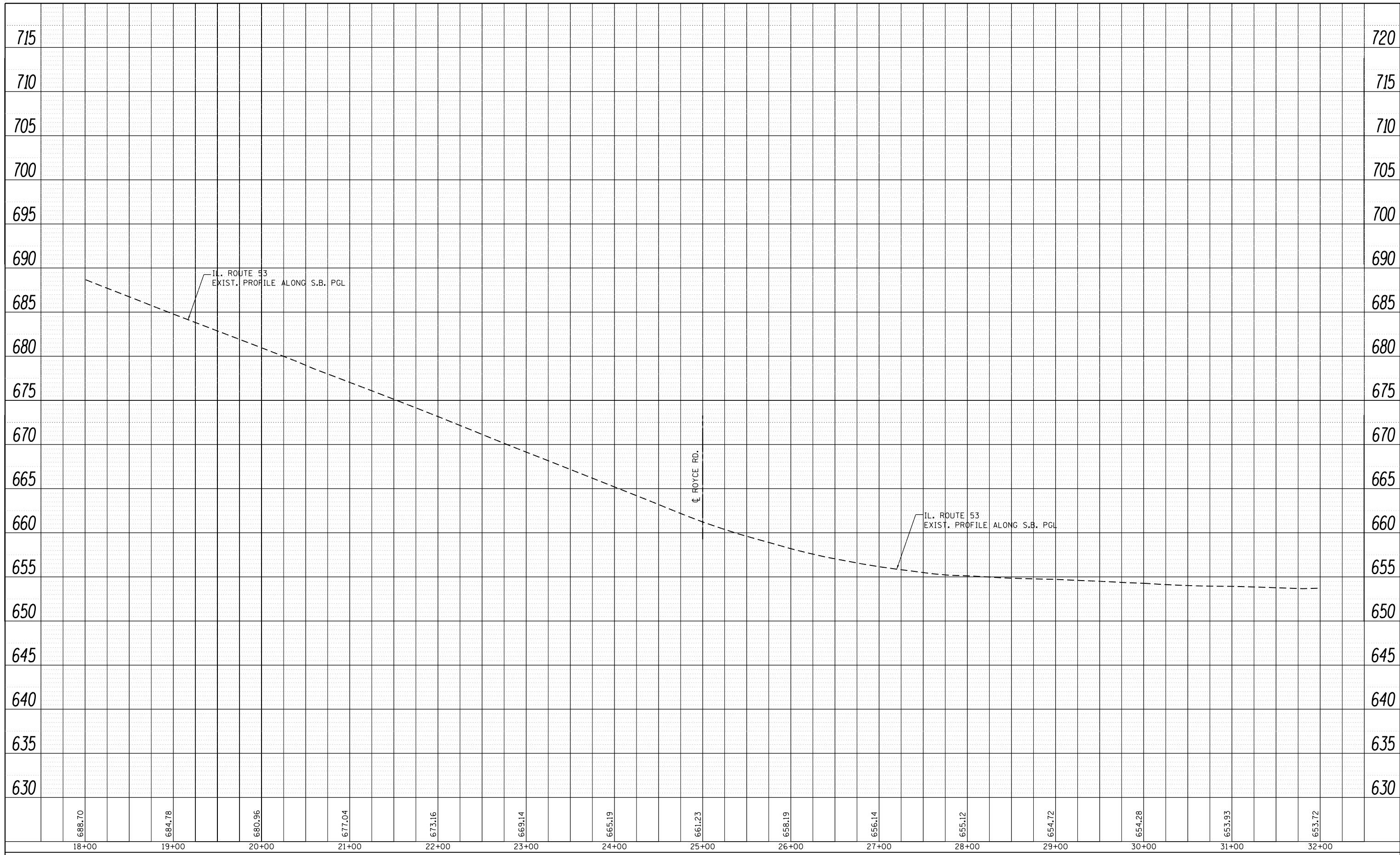
PROFILE	SURVEYED	DATE
	PLOTTED	
	CHECKED	
	NO. _____	
	FILE NAME	



FILE NAME =	USER NAME = hassann	DESIGNED -	REVISED -	<b>STATE OF ILLINOIS DEPARTMENT OF TRANSPORTATION</b>	<b>ROYCE RD. AT IL. ROUTE 53 DRAINAGE PLAN AND PROFILE</b>			F.A.P. RTE.	SECTION	COUNTY	TOTAL SHEETS	SHEET NO.	
		DRAWN -	REVISED -		870	534-1-N		62	19	CONTRACT NO. 60X59			
		CHECKED -	REVISED -		SCALE: 1"=50'			SHEET	OF	SHEETS	STA.	TO	STA.
		DATE -	REVISED -		ILLINOIS FED. AID PROJECT								

PLAN	SURVEYED	BY	DATE
	PLOTTED		
	ALIGNMENT		
	CHECKED		
	FILE NAME		
	NO.		

PROFILE	SURVEYED	BY	DATE
	PLOTTED		
	GRADES		
	CHECKED		
	STRUCTURE		
	NOT AT THIS OFFICE		
	NO.		



FILE NAME =	USER NAME = hassan	DESIGNED -	REVISED -
p:\114312\114312.dwg		DRAWN	REVISED -
	PLOT SCALE = 100.0000' / in.	CHECKED -	REVISED -
Default	PLOT DATE = 3/30/2016	DATE -	REVISED -

**STATE OF ILLINOIS  
DEPARTMENT OF TRANSPORTATION**

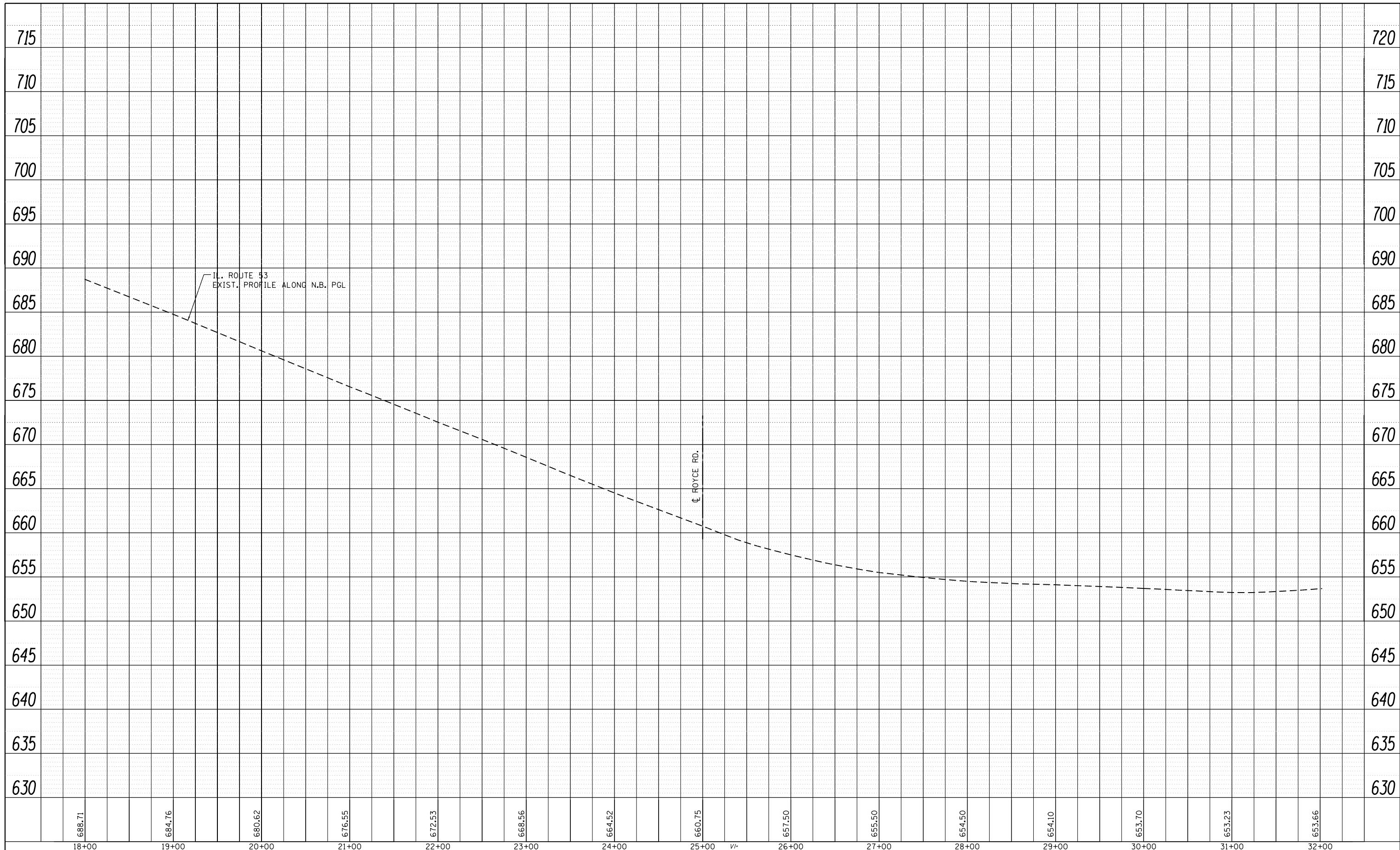
**IL. ROUTE 53 AT ROYCE RD.  
DRAINAGE PROFILE**

SCALE: 1"=50'      SHEET      OF      SHEETS      STA.      TO      STA.

F.A.P. RTE.	SECTION	COUNTY	TOTAL SHEETS	SHEET NO.
873	34-1-N	WILL	62	20
CONTRACT NO. 60X59			ILLINOIS FED. AID PROJECT	

PLAN	SURVEYED	BY	DATE
NOTE BOOK NO.	PLOTTED		
	CHECKED		
	ALIGNMENT		
	FILE NAME		

PROFILE	SURVEYED	BY	DATE
NOTE BOOK NO.	CHECKED		
	GRADES		
	STRUCTURE		
	NOT AT THIS OFFICE		



FILE NAME =	USER NAME = hassan	DESIGNED -	REVISED -
p:\11084EBIDINTEG\Illinois.gov\PI14312\Drawings\CAD\Sheets\PI14312-sht-drain.dgn		DRAWN -	REVISED -
	PLOT SCALE = 100.0000' / in.	CHECKED -	REVISED -
Default	PLOT DATE = 3/30/2016	DATE -	REVISED -

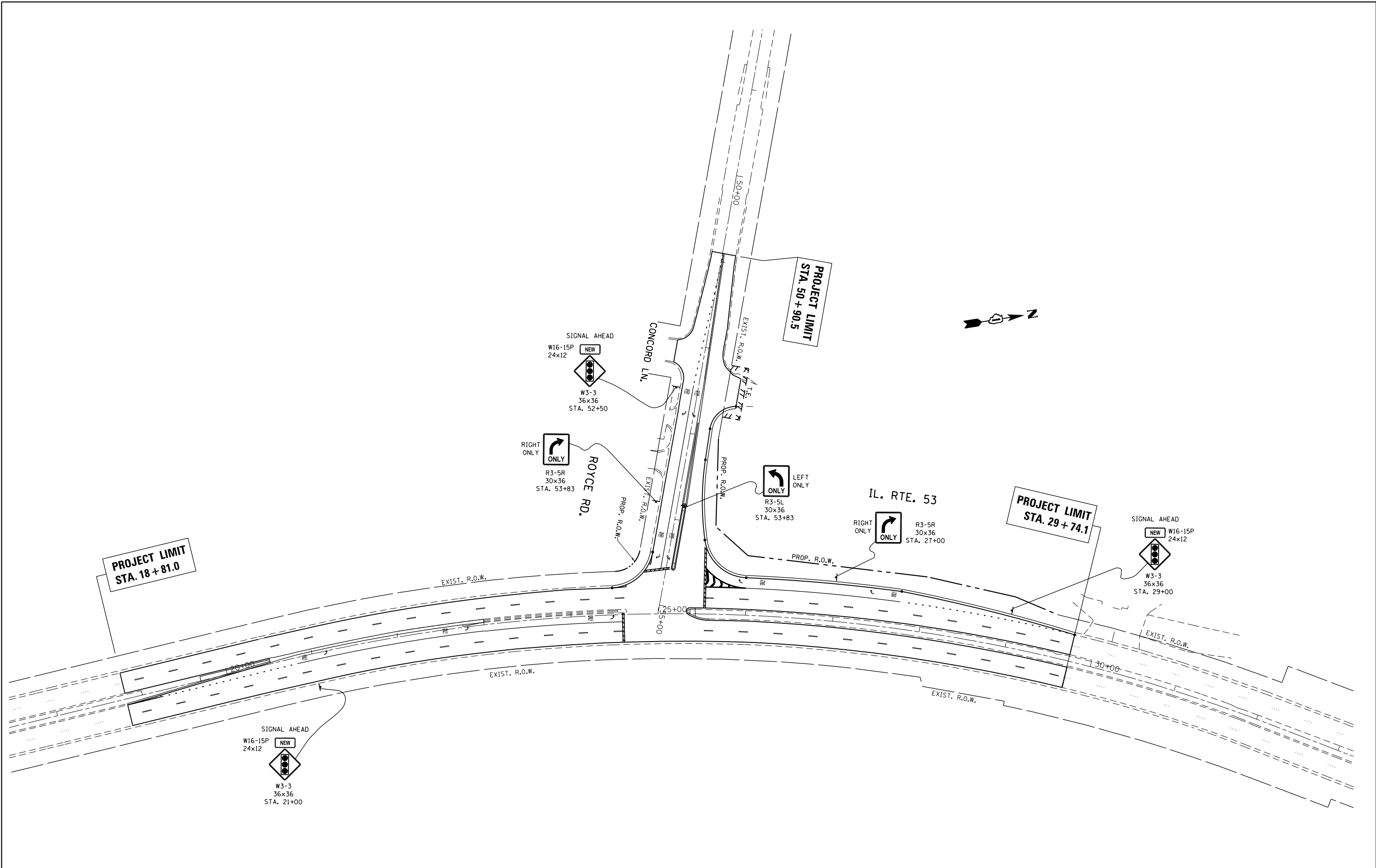
**STATE OF ILLINOIS  
DEPARTMENT OF TRANSPORTATION**

<b>IL. ROUTE 53 AT ROYCE RD. DRAINAGE PROFILE</b>			
SCALE: 1"=50'	SHEET	OF	SHEETS
	STA.		TO STA.

F.A.P. RTE.	SECTION	COUNTY	TOTAL SHEETS	SHEET NO.
873	34-1-N	WILL	62	21
CONTRACT NO. 60X59			ILLINOIS FED. AID PROJECT	

3/30/2016





FILE NAME =	USER NAME = hassann	DESIGNED -	REVISED -
p:\11\084EBIDINTEG\illinois.gov\PI\DOT\Documents\DOT Offices\District 1\Projects\PI14312\Drawings\CADsheets\PI14312-sht-signs.dgn		REVISED -	REVISED -
Default	PLOT SCALE = 100.0000' / in.	CHECKED -	REVISED -
	PLOT DATE = 5/2/2016	DATE -	REVISED -

**STATE OF ILLINOIS  
DEPARTMENT OF TRANSPORTATION**

**IL. ROUTE 53 AT ROYCE RD.  
PROPOSED SIGN PLAN**

SCALE: 1"=50'      SHEET      OF      SHEETS      STA.      TO      STA.

F.A.P. RTE.	SECTION	COUNTY	TOTAL SHEETS	SHEET NO.
870	534-1-N	WILL	62	21A
CONTRACT NO. 60X59				
ILLINOIS FED. AID PROJECT				

PARTS OF THE WEST 1/2 OF THE SW. 1/4 OF SECTION 2 AND THE EAST 1/2 OF SE. 1/4 OF SECTION 3, TWP. 37 N., R. 10 E. OF THE 3RD. P.M., WILL COUNTY, ILLINOIS.

PARCEL NUMBER	TOTAL HOLDINGS ACRES	PART TAKEN ACRES	AREA IN EXISTING R.O.W. ACRES	REMAINDER AREA ACRES	EASEMENT ACRES	AREA SQUARE FEET	EASEMENT PURPOSE	PARCEL INDEX NUMBER
1LA0001	9.242	0.171		9.071				02-02-300-001
1LA0001TE					0.027			
1LA0002	0.686	0.002 (116.0 Sq. Ft.)		0.684				02-03-402-021

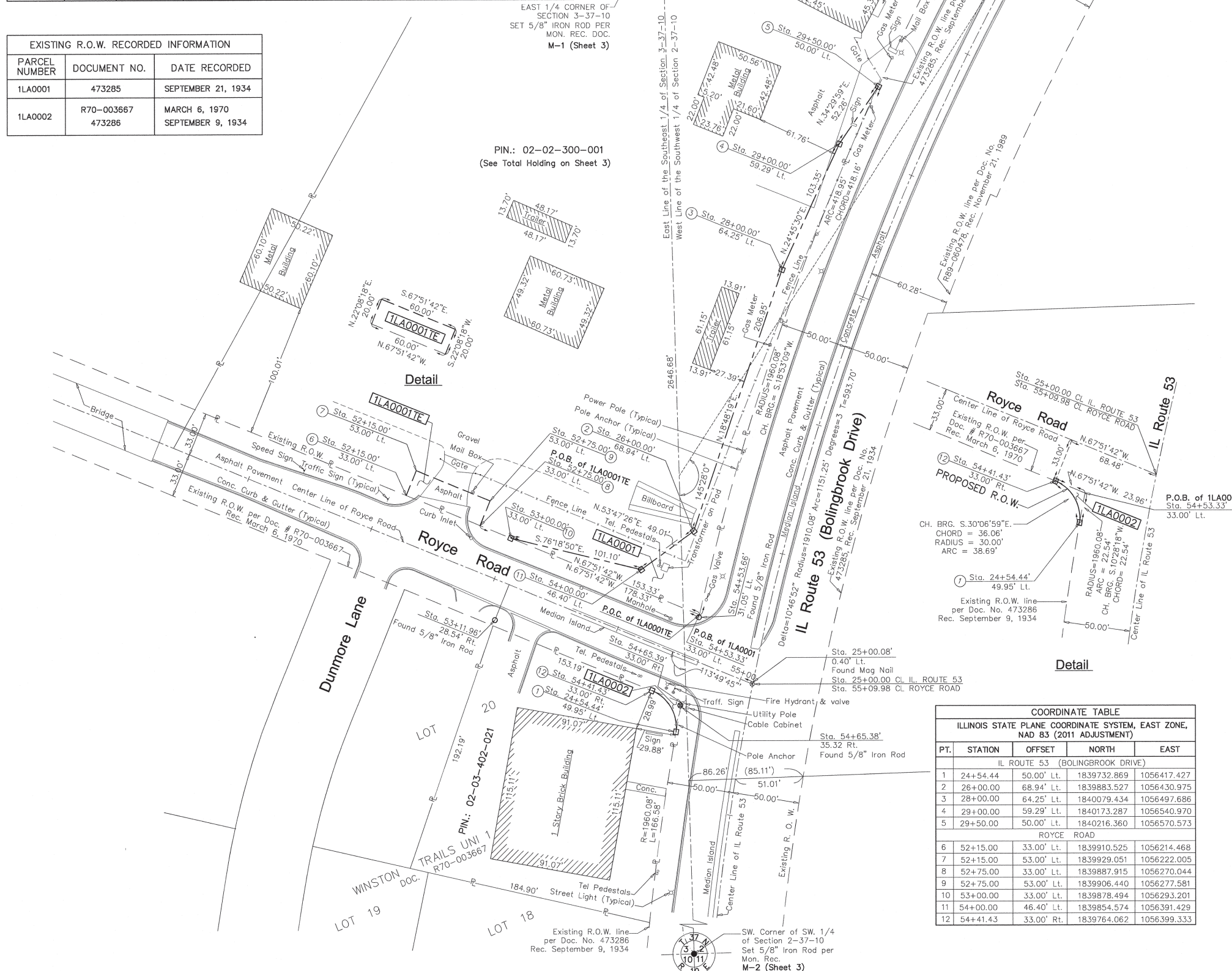
EXISTING R.O.W. RECORDED INFORMATION		
PARCEL NUMBER	DOCUMENT NO.	DATE RECORDED
1LA0001	473285	SEPTEMBER 21, 1934
1LA0002	R70-003667 473286	MARCH 6, 1970 SEPTEMBER 9, 1934

**LEGEND**

- SECTION / QUARTER SECTION LINE
- PLATTED LOT LINES
- PROPERTY (DEED) LINE
- APL APPARENT PROPERTY LINE
- EXISTING CENTERLINE
- PROPOSED CENTERLINE
- EXISTING RIGHT OF WAY LINE
- PROPOSED RIGHT OF WAY LINE
- EXISTING EASEMENT
- PROPOSED EASEMENT
- EXISTING ACCESS CONTROL LINE
- PROPOSED ACCESS CONTROL LINE
- MEASURED DIMENSION
- COMPUTED DIMENSION
- RECORDED DIMENSION
- EXISTING BUILDING

SECTION CORNER: 5 4 3 2 1 8 9 10  
QUARTER SECTION CORNER: 5 4

SCALE: 1" = 40'



COORDINATE TABLE				
ILLINOIS STATE PLANE COORDINATE SYSTEM, EAST ZONE, NAD 83 (2011 ADJUSTMENT)				
PT.	STATION	OFFSET	NORTH	EAST
IL ROUTE 53 (BOLINGBROOK DRIVE)				
1	24+54.44	50.00' Lt.	1839732.869	1056417.427
2	28+00.00	68.94' Lt.	1839883.527	1056430.975
3	28+00.00	64.25' Lt.	1840079.434	1056497.686
4	29+00.00	59.29' Lt.	1840173.287	1056540.970
5	29+50.00	50.00' Lt.	1840216.360	1056570.573
ROYCE ROAD				
6	52+15.00	33.00' Lt.	1839910.525	1056214.468
7	52+15.00	53.00' Lt.	1839929.051	1056222.005
8	52+75.00	33.00' Lt.	1839887.915	1056270.044
9	52+75.00	53.00' Lt.	1839906.440	1056277.581
10	53+00.00	33.00' Lt.	1839878.494	1056293.201
11	54+00.00	46.40' Lt.	1839854.574	1056391.429
12	54+41.43	33.00' Rt.	1839764.062	1056399.333

RECEIVED  
SEP 17 2014  
LAND ACQUISITION

**ADVANCED SURVEYING & MAPPING**

**ASM CONSULTANTS, INC.**  
PO BOX 7  
PLANO, IL 60545  
(630) 273-2500  
ASM PROJECT NO. 777-010

**PLAT OF HIGHWAYS**  
STATE OF ILLINOIS  
DEPARTMENT OF TRANSPORTATION  
IL ROUTE 53

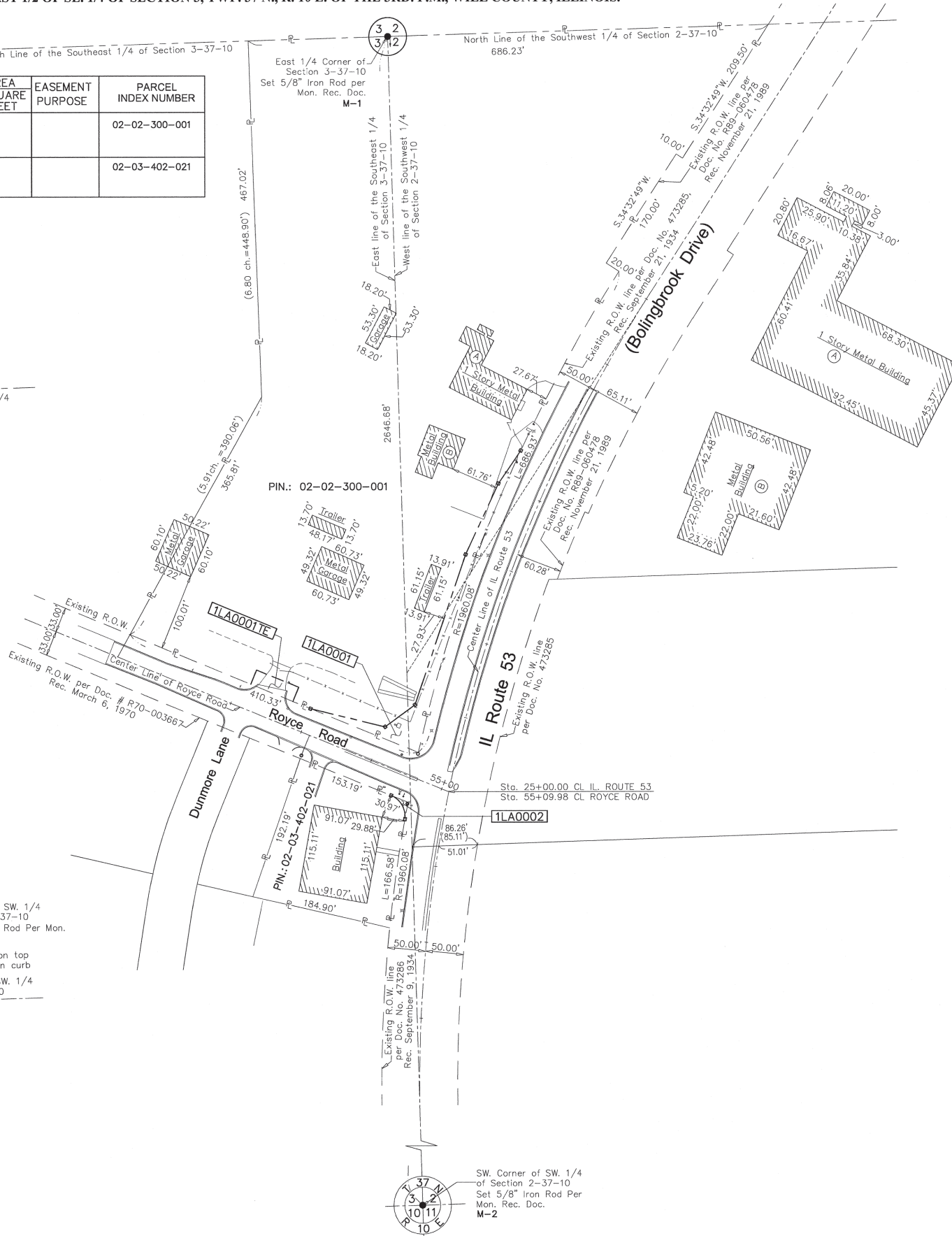
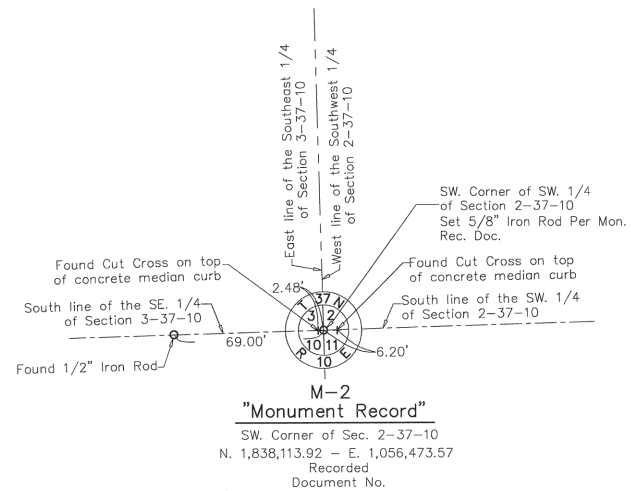
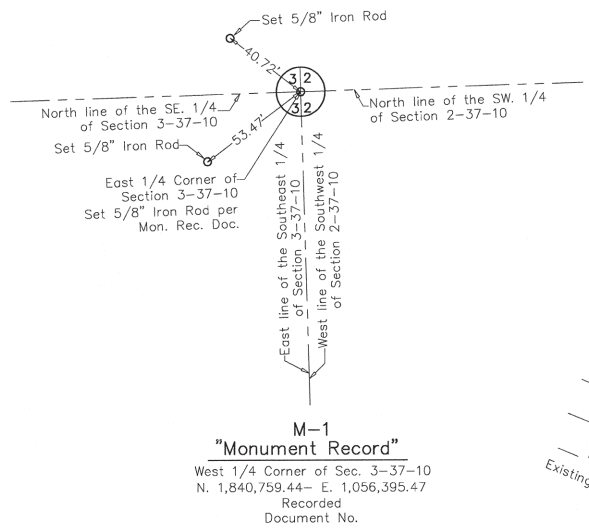
LIMITS: IL Rt. 53 at Royce Rd. COUNTY: WILL  
SECTION: JOB NO. R-91-021-14  
STATION: 24+52.26 TO STATION: 29+50.00  
SCALE: 1" = 40' SHEET 2 OF 3 SHEETS

BUREAU OF LAND ACQUISITION  
201 WEST CENTER COURT  
SCHAUMBURG, ILLINOIS 60196

REVISION DATE: // REVISION MADE BY:

PARTS OF THE WEST 1/2 OF THE SW. 1/4 OF SECTION 2 AND THE EAST 1/2 OF SE. 1/4 OF SECTION 3, TWP. 37 N., R. 10 E. OF THE 3RD. P.M., WILL COUNTY, ILLINOIS.

PARCEL NUMBER	TOTAL HOLDINGS ACRES	PART TAKEN ACRES	AREA IN EXISTING R.O.W. ACRES	REMAINDER AREA ACRES	EASEMENT ACRES	AREA SQUARE FEET	EASEMENT PURPOSE	PARCEL INDEX NUMBER
1LA0001	9.242	0.171		9.071				02-02-300-001
1LA0001TE					0.027			
1LA0002	0.686	0.002 (116.0 Sq. Ft.)		0.684				02-03-402-021



**LEGEND**

- SECTION CORNER
- QUARTER SECTION CORNER
- SECTION / QUARTER SECTION LINE
- PLATTED LOT LINES
- PROPERTY (DEED) LINE
- APPARENT PROPERTY LINE
- EXISTING CENTERLINE
- PROPOSED CENTERLINE
- EXISTING RIGHT OF WAY LINE
- PROPOSED RIGHT OF WAY LINE
- EXISTING EASEMENT
- PROPOSED EASEMENT
- EXISTING ACCESS CONTROL LINE
- PROPOSED ACCESS CONTROL LINE
- MEASURED DIMENSION
- COMPUTED DIMENSION
- RECORDED DIMENSION
- EXISTING BUILDING

BEARINGS ARE REFERENCED TO THE ILLINOIS STATE PLANE COORDINATED SYSTEM, NAD83 (2011 ADJUSTMENT), EAST ZONE  
 BEARINGS AND DISTANCES BASED ON AN ILLINOIS COORDINATE SYSTEMS NAD 83 (2011) EAST ZONE, WITH A COMBINED OF 0.99995218

SCALE: 1" = 80'

- IRON PIPE OR ROD FOUND
- ⊕ "MAG" OR "PK" NAIL SET OR FOUND
- + CUT CROSS FOUND OR SET
- 5/8" REBAR SET
- STAKING OF PROPOSED RIGHT OF WAY. SET DIVISION OF HIGHWAYS SURVEY MARKER TO MONUMENT THE POSITION SHOWN. IDENTIFIED BY INSCRIPTION DATA AND SURVEYORS REGISTRATION NUMBER.
- M STAKING OF PROPOSED RIGHT OF WAY IN CULTIVATED AREAS. BURIED 5/8 INCH METAL ROD 20 INCHES BELOW GROUND TO MARK FUTURE SURVEY MARKER POSITION IDENTIFIED BY COLORED PLASTIC CAP BEARING SURVEYORS REGISTRATION NUMBER.
- ⊙ PERMANENT SURVEY MARKER, I.D.O.T. STANDARD 2135 (TO BE SET BY OTHERS)
- RIGHT OF WAY STAKING PROPOSED TO BE SET

STATE OF ILLINOIS )  
 ) SS  
 COUNTY OF KENDALL )

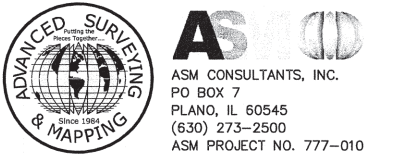
THIS IS TO CERTIFY THAT WE, ASM CONSULTANTS, INC., AN ILLINOIS PROFESSIONAL DESIGN FIRM LAND SURVEYING CORPORATION, NUMBER 184-6014, HAVE SURVEYED THE PLAT OF HIGHWAYS SHOWN HEREIN IN SECTION 2 AND SECTION 3, TOWNSHIP 37 NORTH, RANGE 10 EAST OF THE THIRD PRINCIPAL MERIDIAN, WILL COUNTY, THAT THE SURVEY IS TRUE AND COMPLETE AS SHOWN TO THE BEST OF MY KNOWLEDGE AND BELIEF, THAT THE PLAT CORRECTLY REPRESENTS SAID SURVEY, THAT ALL MONUMENTS FOUND AND ESTABLISHED ARE OF PERMANENT QUALITY AND OCCUPY THE POSITIONS SHOWN HEREON AND THAT THE MONUMENTS ARE SUFFICIENT TO ENABLE THE SURVEY TO BE RETRACED, MADE FOR THE DEPARTMENT OF TRANSPORTATION, STATE OF ILLINOIS.

DATED AT PLANO, ILLINOIS THIS 17 DAY OF JULY 2014, A.D.

ILLINOIS PROFESSIONAL LAND SURVEYOR NO. 35-3377  
 LICENSE EXPIRATION DATE: 11/30/2014.

THIS PROFESSIONAL SERVICE CONFORMS TO THE CURRENT ILLINOIS MINIMUM STANDARDS FOR A BOUNDARY SURVEY.

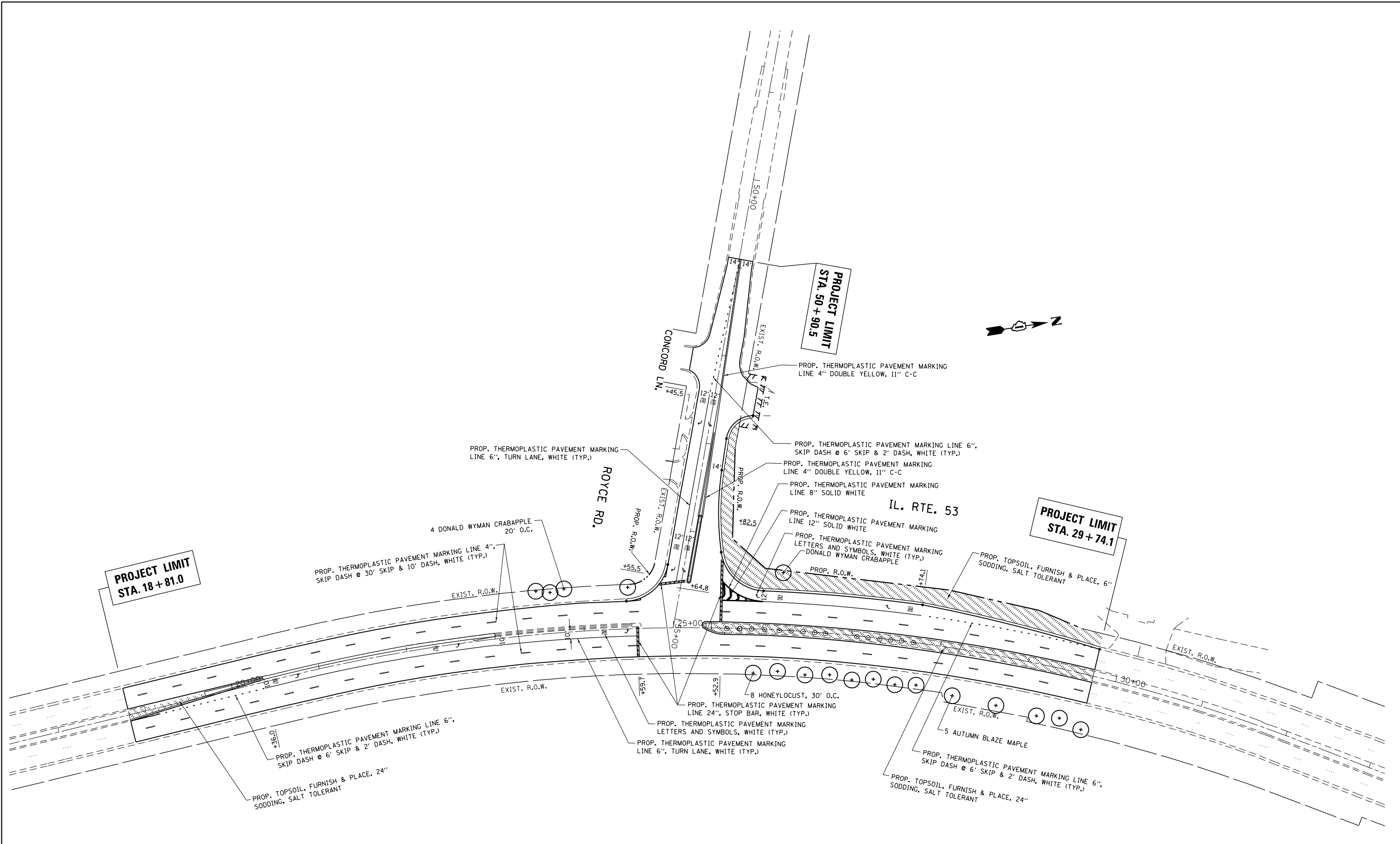
RECEIVED  
 SEP 17 2014  
 LAND ACQUISITION



**PLAT OF HIGHWAYS**  
 STATE OF ILLINOIS  
 DEPARTMENT OF TRANSPORTATION  
 IL ROUTE 53

LIMITS: IL. Rt. 53 at Royce Rd. COUNTY: WILL  
 SECTION: JOB NO. R-91-021-14  
 STATION: 24+52.26 TO STATION: 29+50.00  
 SCALE: 1" = 40' SHEET 3 OF 3 SHEETS

BUREAU OF LAND ACQUISITION  
 201 WEST CENTER COURT  
 SCHAUMBURG, ILLINOIS 60196



**PROJECT LIMIT**  
STA. 18 + 81.0

**PROJECT LIMIT**  
STA. 50 + 90.5

**PROJECT LIMIT**  
STA. 29 + 74.1

**NOTE:** USE IDOT DETAILS TC-13 FOR PAVEMENT MARKINGS, USE IDOT DETAIL TC-11 FOR RAISED REFLECTIVE PAVEMENT MARKERS.

FILE NAME =	USER NAME = bauerdl	DESIGNED -	REVISED -
p:\11\084EBIDINTEG.illinois.gov\PI\DOT\Documents\IDOT Offices\District 1\Projects\PI14312\Drawings\CADsheets\P114312-sh1-pmk.dgn		REVISION	REVISION
Default	PLOT DATE = 10/20/2017	CHECKED -	REVISED -
		DATE -	REVISED -

**STATE OF ILLINOIS**  
**DEPARTMENT OF TRANSPORTATION**

**IL. ROUTE 53 AT ROYCE RD.**  
**PAVEMENT MARKING & LANDSCAPING PLAN**

SCALE: 1"=50' SHEET OF SHEETS STA. TO STA.

F.A.P. RTE.	SECTION	COUNTY	TOTAL SHEETS	SHEET NO.
870	534-1-N	WILL	62	24
<b>CONTRACT NO. 60X59</b>				
ILLINOIS FED. AID PROJECT				

# TRAFFIC SIGNAL LEGEND

ITEM	REMOVAL	EXISTING	PROPOSED	ITEM	REMOVAL	EXISTING	PROPOSED	ITEM	REMOVAL	EXISTING	PROPOSED
CONTROLLER CABINET				EMERGENCY VEHICLE LIGHT DETECTOR				ELECTRIC CABLE IN CONDUIT, TRACER, NO. 14 1/C, UNLESS NOTED OTHERWISE			
RAILROAD CONTROL CABINET				CONFIRMATION BEACON				COAXIAL CABLE			
COMMUNICATIONS CABINET				HANDHOLE				VENDOR CABLE FOR CAMERA			
MASTER CONTROLLER				HEAVY DUTY HANDHOLE				COPPER INTERCONNECT CABLE, NO. 18 3 PAIR TWISTED, SHIELDED			
MASTER MASTER CONTROLLER				DOUBLE HANDHOLE				FIBER OPTIC CABLE NO. 62.5/125, MM12F			
UNINTERRUPTIBLE POWER SUPPLY				JUNCTION BOX				FIBER OPTIC CABLE NO. 62.5/125, MM12F SM12F			
SERVICE INSTALLATION, (P) POLE OR (G) GROUND MOUNT				UNDERGROUND CONDUIT, GALVANIZED STEEL (UC)				FIBER OPTIC CABLE NO. 62.5/125, MM12F SM24F			
TELEPHONE CONNECTION (P) POLE OR (G) GROUND MOUNT				TEMPORARY SPAN WIRE, TETHER WIRE, AND CABLE				FIBER OPTIC CABLE NO. 62.5/125, MM12F SM24F			
STEEL MAST ARM ASSEMBLY AND POLE				COMMON TRENCH				GROUND ROD AT (C) CONTROLLER, (H) HANDHOLE, (P) POST, (M) MAST ARM, OR (S) SERVICE			
ALUMINUM MAST ARM ASSEMBLY AND POLE				COILABLE NONMETALLIC CONDUIT (EMPTY)				CONTROLLER CABINET AND FOUNDATION TO BE REMOVED			
STEEL COMBINATION MAST ARM ASSEMBLY AND POLE WITH LUMINAIRE				SYSTEM ITEM		S		STEEL MAST ARM POLE AND FOUNDATION TO BE REMOVED			
STEEL COMBINATION MAST ARM ASSEMBLY AND POLE WITH PTZ CAMERA				INTERSECTION ITEM		I		ALUMINUM MAST ARM POLE AND FOUNDATION TO BE REMOVED			
SIGNAL POST				REMOVE ITEM	R			STEEL COMBINATION MAST ARM ASSEMBLY AND POLE WITH LUMINAIRE AND FOUNDATION TO BE REMOVED			
TEMPORARY WOOD POLE (CLASS 5 OR BETTER) 45 FOOT (13.7m) MINIMUM				RELOCATE ITEM	RL			SIGNAL POST AND FOUNDATION TO BE REMOVED			
GUY WIRE				ABANDON ITEM	A			INTERSECTION & SAMPLING (SYSTEM) DETECTOR			
SIGNAL HEAD				12" (300mm) TRAFFIC SIGNAL SECTION				SAMPLING (SYSTEM) DETECTOR			
SIGNAL HEAD CONSTRUCTION STAGES (NUMBERS INDICATE THE CONSTRUCTION STAGE)				12" (300mm) RED WITH 8" (200mm) YELLOW AND GREEN TRAFFIC SIGNAL FACE				QUEUE DETECTOR			
SIGNAL HEAD WITH BACKPLATE				SIGNAL FACE				PREFORMED QUEUE DETECTOR			
SIGNAL HEAD OPTICALLY PROGRAMMED				SIGNAL FACE WITH BACKPLATE, "P" INDICATES PROGRAMMED HEAD				PREFORMED INTERSECTION AND SAMPLING (SYSTEM) DETECTOR			
FLASHER INSTALLATION (S DENOTES SOLAR POWER)				"RB" INDICATES REFLECTIVE BACKPLATE				PREFORMED SAMPLING (SYSTEM) DETECTOR			
PEDESTRIAN SIGNAL HEAD				12" (300mm) PEDESTRIAN SIGNAL HEAD WALK/DON'T WALK SYMBOL							
PEDESTRIAN PUSHBUTTON DETECTOR				12" (300mm) PEDESTRIAN SIGNAL HEAD INTERNATIONAL SYMBOL, OUTLINED							
ACCESSIBLE PEDESTRIAN PUSHBUTTON DETECTOR				12" (300mm) PEDESTRIAN SIGNAL HEAD INTERNATIONAL SYMBOL, SOLID							
ILLUMINATED SIGN "NO LEFT TURN"				PEDESTRIAN SIGNAL HEAD, INTERNATIONAL SYMBOL, WITH COUNTDOWN TIMER							
ILLUMINATED SIGN "NO RIGHT TURN"				RADIO INTERCONNECT							
DETECTOR LOOP, TYPE I				RADIO REPEATER							
PREFORMED DETECTOR LOOP				DENOTES NUMBER OF CONDUCTORS, ELECTRIC CABLE NO. 14, UNLESS NOTED OTHERWISE, ALL DETECTOR LOOP CABLE TO BE SHIELDED							
MICROWAVE VEHICLE SENSOR				GROUND CABLE IN CONDUIT NO. 6 SOLID COPPER (GREEN)							
VIDEO DETECTION CAMERA											
VIDEO DETECTION ZONE											
PAN, TILT, ZOOM CAMERA											
WIRELESS DETECTOR SENSOR											
WIRELESS ACCESS POINT											

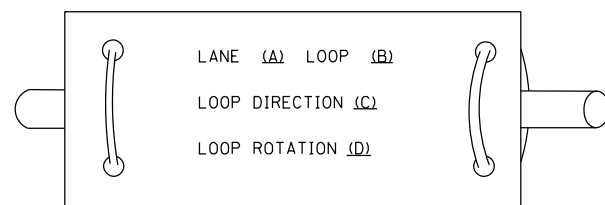
## RAILROAD SYMBOLS

	EXISTING	PROPOSED
RAILROAD CONTROL CABINET		
RAILROAD CANTILEVER MAST ARM		
FLASHING SIGNAL		
CROSSING GATE		
CROSSBUCK		

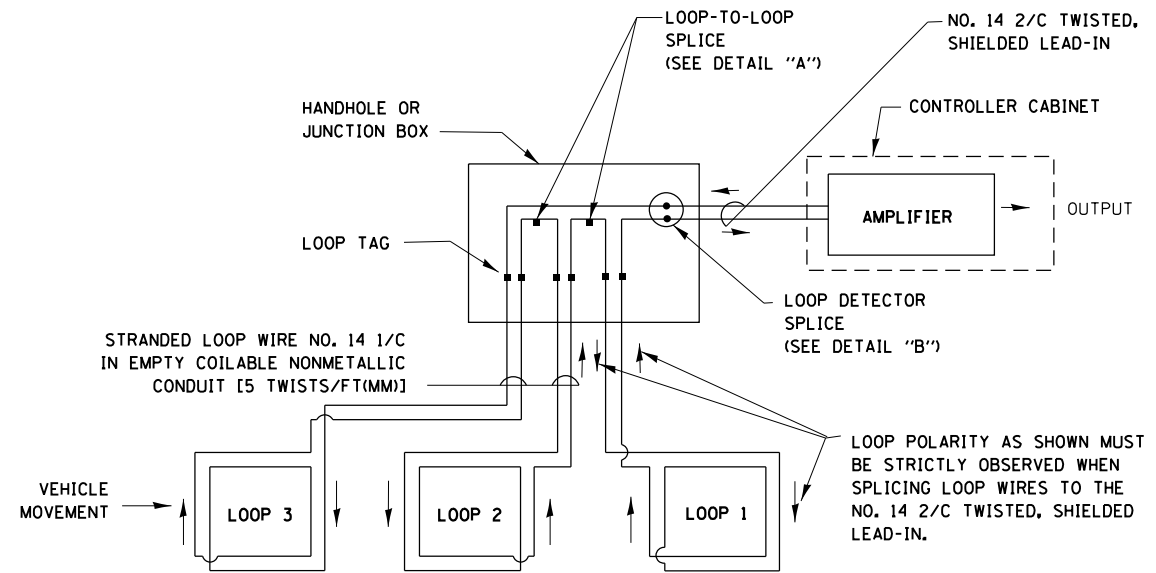
**LOOP DETECTOR NOTES**

1. EACH PAIR OF LOOP WIRES SHALL BE PLACED IN A SEPARATE EMPTY COILABLE NONMETALLIC CONDUIT FROM THE EDGE OF PAVEMENT TO THE HANDHOLE. SPACING BETWEEN THE HOLES DRILLED IN THE PAVEMENT SHALL NOT BE LESS THAN 6" (150 mm). EMPTY COILABLE NONMETALLIC CONDUIT SHALL BE INCLUDED IN THE COST OF THE LOOP WIRE.
2. THE NUMBER OF LOOP TURNS SHALL BE AS RECOMMENDED BY THE AMPLIFIER MANUFACTURER. ALL ADJACENT SIDES OF THE LOOPS SHALL BE INSTALLED IN SUCH A WAY THAT THE CURRENT FLOW IS IN THE SAME DIRECTION TO REINFORCE ITS MAGNETIC FIELDS FOR SMALL VEHICLE DETECTION.
3. EACH LOOP LEAD-IN SHALL BE IDENTIFIED AND PERMANENTLY TAGGED IN THE HANDHOLE. EACH LEAD-IN CABLE TAG SHALL INDICATE THE LOCATION OF THE LOOP, LOOP ROTATION (CLOCKWISE/COUNTERCLOCKWISE), LOOP LEAD-IN DIRECTION (IN OR OUT), LOOP CABLE NUMBER AND LOCATION IN CABINET, AND NUMBER OF TURNS IN THE DETECTOR LOOPS IN WATER PROOF INK AS INDICATED ON THE DISTRICT 1 STANDARD TRAFFIC SIGNAL DESIGN DETAIL. THE CONTRACTOR SHALL MARK LOOP LOCATIONS ON RECORD DRAWINGS AND PRESENT TO THE ENGINEER AFTER FINAL INSPECTION. LOOPS SHALL BE MARKED BY LANE AND LOOP NUMBER. SEE DETAIL BELOW.
4. ALL LOOP CABLE SHALL BE FASTENED WITH PLASTIC TIE WRAP TO THE HANDHOLE HOOKS.
5. IN ASPHALT PAVEMENT, LOOPS SHOULD BE PLACED IN THE BINDER AND DIVEHOLES MARKED AT THE CURB WITH A SAW-CUT. THE SAW-CUT SHALL BE CUT IN ACCORDANCE WITH LOCAL AND E.P.A. DUST CONTROL REQUIREMENTS. DETECTOR LOOP(S) SHALL NOT BE INSTALLED IN WET CONDITIONS AND THE SAW-CUTS MUST BE FREE OF DEBRIS AND RESIDUE SUCH AS DUST AND WATER WHICH IS TO BE ACHIEVED BY THE USE OF COMPRESSED AIR, WIRE BRUSHING AND HEAT DRYING ACCORDING TO SEALANT MANUFACTURER REQUIREMENTS. THE DETECTOR WIRE SHALL BE HELD IN PLACE BY THE USE OF FORM WEDGES. WEDGES SHALL BE SPACED NO MORE THAN 18" (450 mm) APART.
6. LOOP SPLICES SHALL BE SOLDERED USING A SOLDERING IRON. BLOW TORCHES OR OTHER DEVICES WHICH OXIDIZE COPPER CABLE SHALL NOT BE ALLOWED FOR SOLDERING OPERATIONS. SEE DETAIL BELOW RIGHT.
7. PREFORMED DETECTOR LOOPS SHALL BE USED, AS SHOWN ON THE PLANS, WHERE NEW CONCRETE PAVEMENT IS PROPOSED. THE INSTALLATION OF PREFORMED LOOPS SHALL BE IN ACCORDANCE WITH THE DISTRICT 1 SPECIFICATIONS OR AS DIRECTED BY THE ENGINEER.

**LOOP LEAD-IN CABLE TAG**

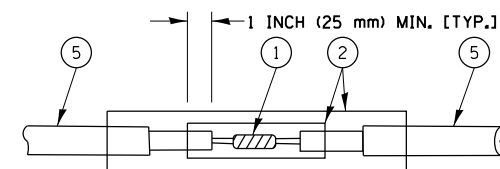


- A. LANE 1 IS THE LANE CLOSEST TO THE CENTERLINE OF THE ROADWAY
- B. LOOP #1 IS THE LOOP IN THE LANE CLOSEST TO THE INTERSECTION.
- C. LABEL LOOP CABLE "IN" OR LOOP CABLE "OUT".
- D. LABEL LOOP CABLE CLOCKWISE OR LOOP CABLE COUNTERCLOCKWISE.

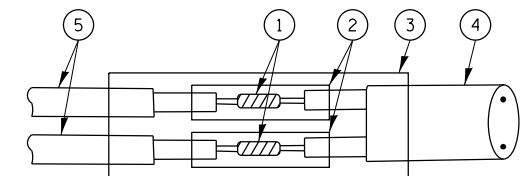


**DETECTOR LOOP WIRING SCHEMATIC**

- LOOPS SHALL BE SPLICED IN SERIES.
- SAW-CUTS SHALL BE A MINIMUM WIDTH OF 5/16" (8 mm).
- SAW-CUT DEPTHS SHALL BE 3" (75 mm). IF IN CONCRETE, THE SAW-CUT DEPTH SHALL BE TO THE TOP OF THE REINFORCEMENT.
- LOOP CORNERS SHALL BE DRILLED WITH A 2" (50 mm) DIAMETER CORE.

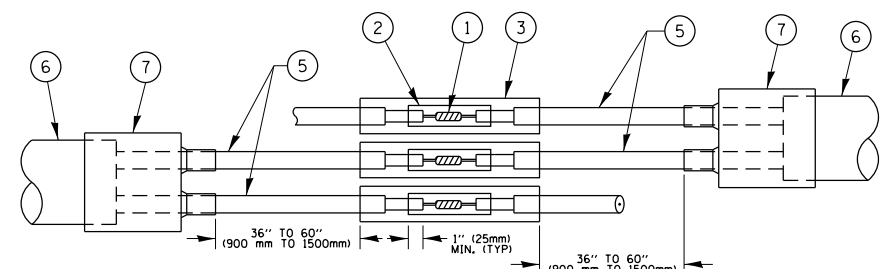


DETAIL "A"  
LOOP-TO-LOOP SPLICE

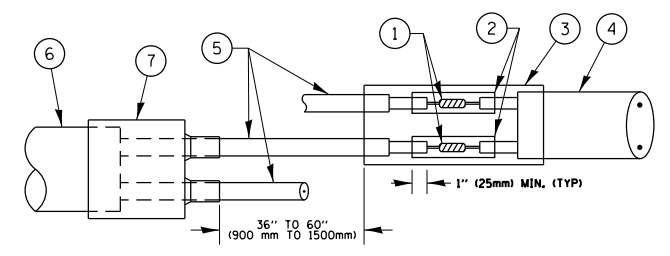


DETAIL "B"  
LOOP-TO-CONTROLLER SPLICE

**TYPE I LOOP**



DETAIL "A"  
LOOP-TO-LOOP SPLICE



DETAIL "B"  
LOOP-TO-CONTROLLER SPLICE

**PRE-FORMED LOOP**

**LOOP DETECTOR SPLICE**

- 1 WESTERN UNION SPLICE SOLDERED WITH ROSIN CORE FLUX. ALL EXPOSED SURFACES OF THE SOLDER SHALL BE SMOOTH, THE WESTERN UNION SPLICES SHALL BE STAGGERED.
- 2 WCSMW 30/100 HEAT SHRINK TUBE, MINIMUM LENGTH 3" (75 mm), UNDERWATER GRADE.
- 3 WCS 200/750 HEAT SHRINK TUBE, MINIMUM LENGTH 6" (150 mm), UNDERWATER GRADE.
- 4 NO. 14 2/C TWISTED, SHIELDED CABLE.
- 5 LOOP CONDUCTOR WITH FLEXIBLE PLASTIC TUBE.
- 6 PRE-FORMED LOOP
- 7 XL POLYOLEFIN 2 CONDUCTOR BREAKOUT SEALS, TYCO CBR-2 OR APPROVED EQUAL

FILE NAME =	USER NAME = hassann	DESIGNED - DAD	REVISED - DAG 1-1-14
p:\1\084EBIDINTEG.illinois.gov\PIWIDOT\Documents\DOT Offices\District 1\Projects\PI14\BIDRAW\to\Design\BKSStd.dgn		CHECKED - DAD	REVISED -
		DATE - 10-28-09	REVISED -

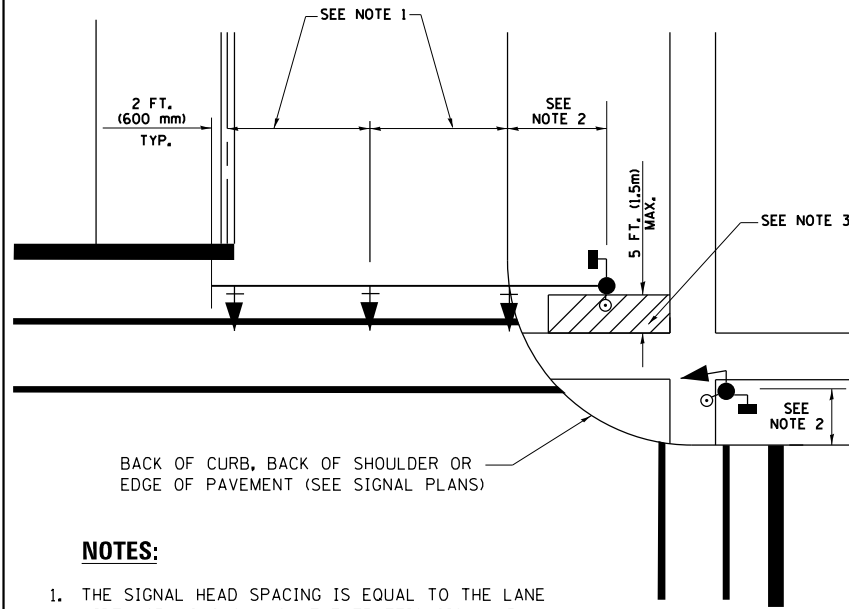
STATE OF ILLINOIS  
DEPARTMENT OF TRANSPORTATION

DISTRICT ONE  
STANDARD TRAFFIC SIGNAL DESIGN DETAILS

SCALE: NONE SHEET NO. 2 OF 7 SHEETS STA. TO STA.

F.A.P. RTE.	SECTION	COUNTY	TOTAL SHEETS	SHEET NO.
870	534-1-N	WILL	62	26
TS-05		CONTRACT NO. 60X59		
FED. ROAD DIST. NO. 1 ILLINOIS FED. AID PROJECT				

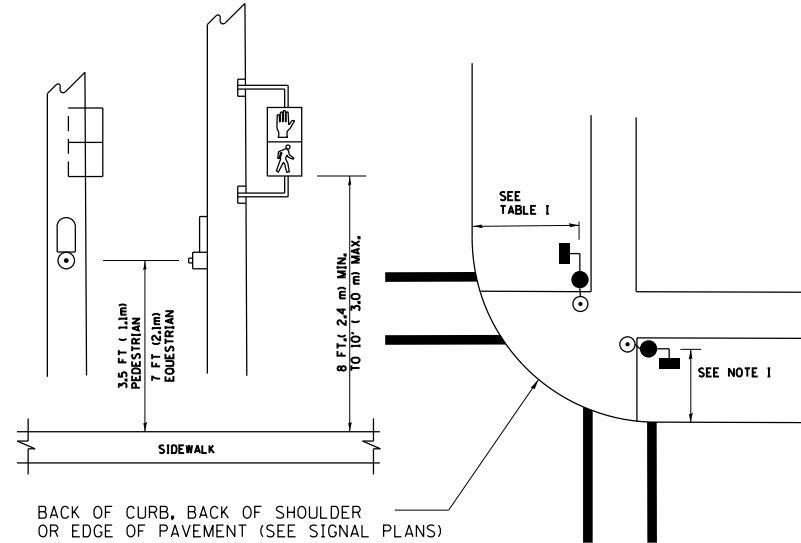
**TRAFFIC SIGNAL MAST ARM AND SIGNAL POST  
MAST ARM MOUNTED SIGNALS IN EXISTING, PROPOSED OR  
FUTURE SIDEWALK/BICYCLE PATH AREA. INTERSECTION SHOWN  
WITH PEDESTRIAN SIGNALS AND PEDESTRIAN PUSHBUTTON DETECTORS.**



**NOTES:**

1. THE SIGNAL HEAD SPACING IS EQUAL TO THE LANE WIDTH OR AS SHOWN ON THE TRAFFIC SIGNAL PLAN.
2. REFER TO THE TRAFFIC SIGNAL EQUIPMENT OFFSET TABLE.
3. PROVIDE A LEVEL ALL-WEATHER SURFACE (CONCRETE SIDEWALK, ASPHALT BICYCLE PATH SURFACE OR MATCHING MATERIAL TO THE ADJACENT SURFACE) UP TO THE MAST ARM SHAFT OR THE SIGNAL POST.
4. THE FACE OF THE PEDESTRIAN PUSHBUTTON SHALL BE PARALLEL TO THE CROSSWALK TO BE USED.
5. THE LOCATIONS AND INSTALLATION OF PEDESTRIAN SIGNAL HEADS AND PEDESTRIAN PUSHBUTTONS SHALL MEET THE REQUIREMENTS OF THE MUTCD AND INFORMATION FOUND IN THE "AMERICANS WITH DISABILITIES ACT ACCESSIBILITY GUIDELINES FOR BUILDINGS AND FACILITIES."

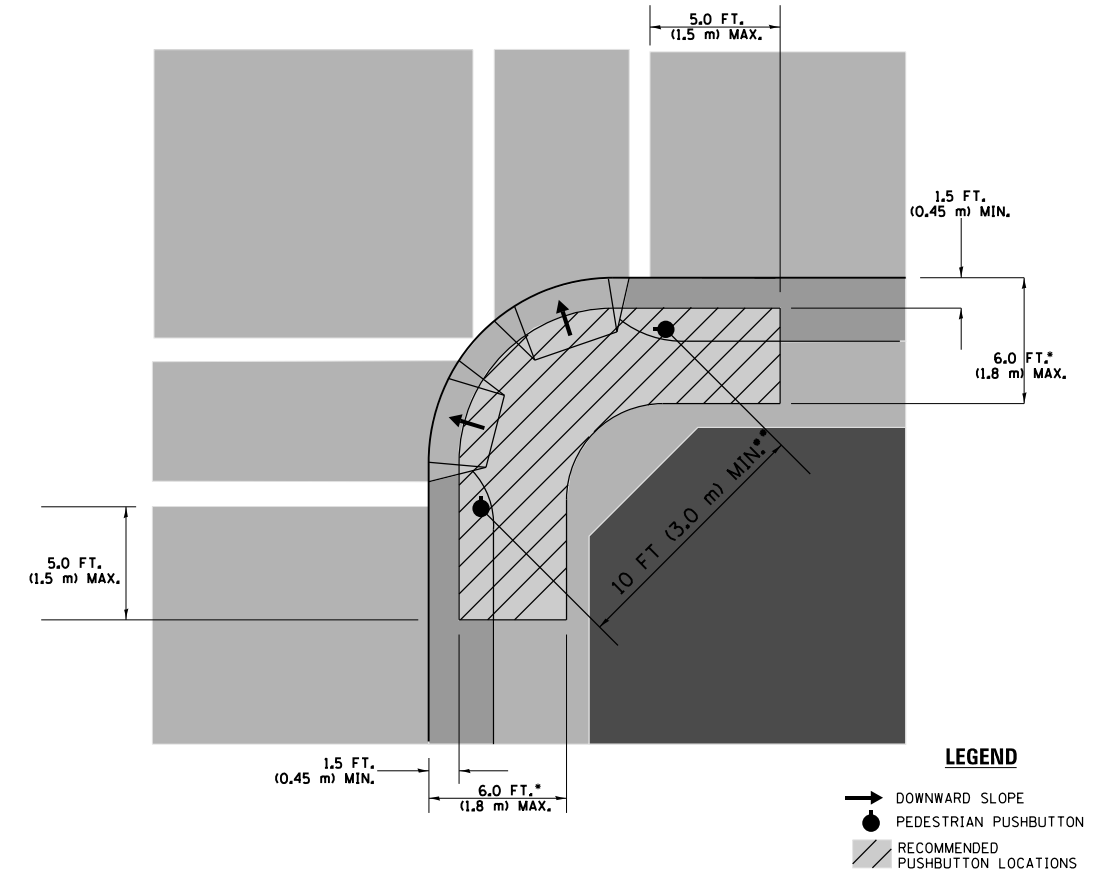
**PEDESTRIAN SIGNAL POST  
AND  
PEDESTRIAN PUSH BUTTON POST**



**NOTES:**

1. REFER TO THE TRAFFIC SIGNAL EQUIPMENT OFFSET TABLE.
2. PROVIDE A LEVEL ALL-WEATHER SURFACE (CONCRETE SIDEWALK, ASPHALT BICYCLE PATH SURFACE OR MATCHING MATERIAL TO THE ADJACENT SURFACE) UP TO THE PEDESTRIAN SIGNAL POST OR THE PEDESTRIAN PUSH BUTTON POST.
3. THE FACE OF THE PEDESTRIAN PUSHBUTTON SHALL BE PARALLEL TO THE CROSSWALK TO BE USED.
4. THE LOCATIONS AND INSTALLATION OF PEDESTRIAN SIGNAL HEADS AND PEDESTRIAN PUSHBUTTONS SHALL MEET THE REQUIREMENTS OF THE MUTCD AND INFORMATION FOUND IN THE "AMERICANS WITH DISABILITIES ACT ACCESSIBILITY GUIDELINES FOR BUILDINGS AND FACILITIES."

**RECOMMENDED PUSHBUTTON LOCATIONS**



- WHERE THERE ARE CONSTRAINTS THAT MAKE IT IMPRACTICAL TO PLACE THE PEDESTRIAN PUSHBUTTON BETWEEN 1.5 FT (0.45 m) AND 6 FT ( 1.8 m) FROM THE EDGE OF THE CURB, SHOULDER, OR PAVEMENT, IT SHOULD NOT BE FURTHER THAN 10 FT (3 m) FROM THE EDGE OF CURB, SHOULDER, OR PAVEMENT.
- WHERE THERE ARE CONSTRAINTS ON A PARTICULAR CORNER THAT MAKE IT IMPRACTICAL TO PROVIDE THE 10 FT (3 m) SEPERATION BETWEEN THE TWO PEDESTRIAN PUSHBUTTONS, THE PUSHBUTTONS MAY BE PLACED CLOSER TOGETHER OR ON THE SAME POLE.

**NOTES:**

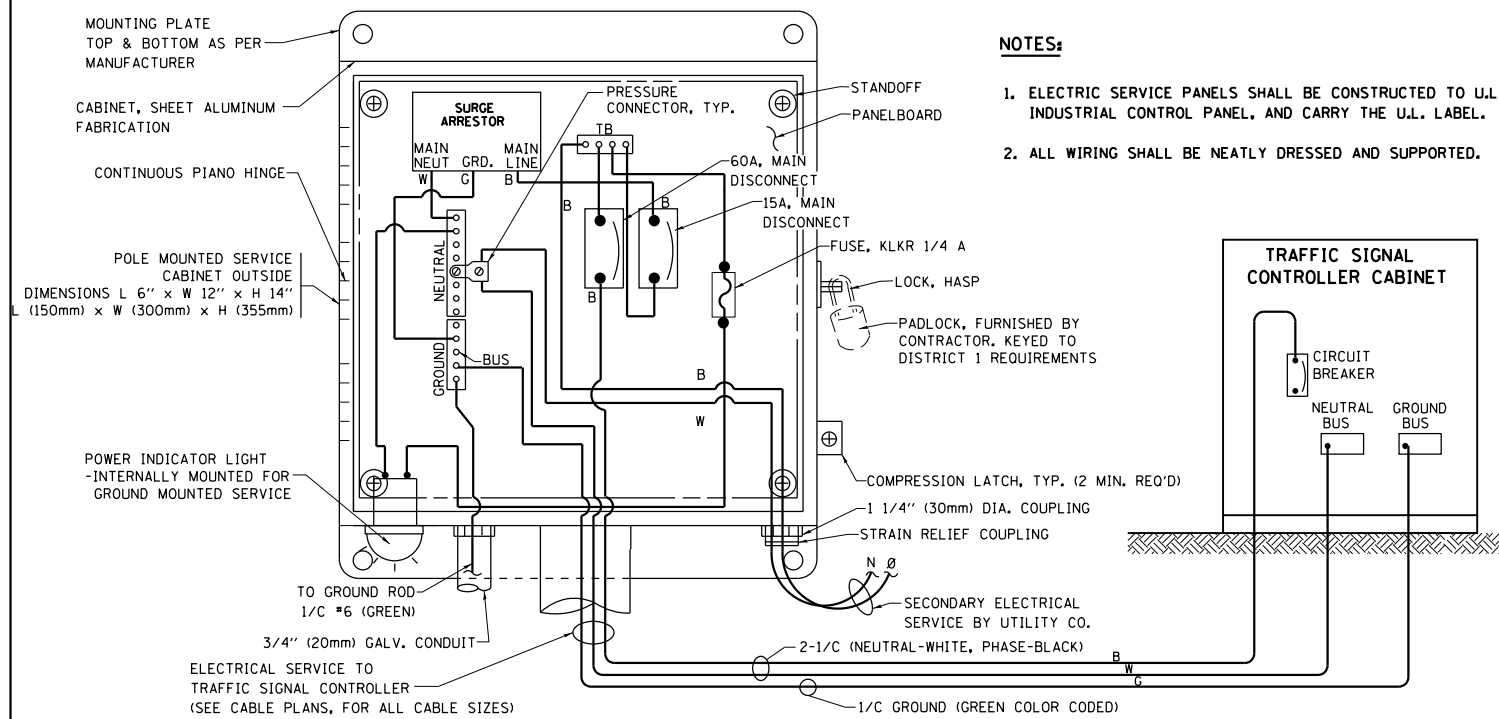
1. PEDESTRIAN SIGNAL HEADS SHALL BE MOUNTED WITH THE BOTTOM OF THE SIGNAL HOUSING INCLUDING BRACKETS NOT LESS THAN 8 FT (2.4 m) OR MORE THAN 10 FT (3 m) ABOVE SIDEWALK LEVEL, AND SHALL BE POSITIONED AND ADJUSTED TO PROVIDE MAXIMUM VISIBILITY AT THE BEGINNING OF THE CONTROLLED CROSSWALK.
2. THE BOTTOM OF THE SIGNAL HOUSING (INCLUDING BRACKETS) OF A VEHICULAR SIGNAL FACE THAT IS NOT LOCATED OVER A HIGHWAY SHALL BE AT LEAST 8 FT (2.4 m) BUT NOT MORE THAN 19 FT (5.8 m) ABOVE THE SIDEWALK OR, IF THERE IS NO SIDEWALK, ABOVE THE PAVEMENT GRADE AT THE CENTER OF THE ROADWAY.
3. THE BOTTOM OF THE SIGNAL HOUSING AND ANY RELATED ATTACHMENTS TO A SIGNAL FACE LOCATED OVER ANY PORTION OF A HIGHWAY SHALL BE ACCORDING TO CURRENT STATE STANDARDS 877001, 877002, 877006, 877011 AND 877012 WITH A MINIMUM OF 16 FT (5.0 m) AND A MAXIMUM OF 18 FT. (5.5 m) FROM THE HIGHEST POINT OF PAVEMENT.
4. THE BOTTOM OF THE TEMPORARY SPAN WIRE MOUNTED SIGNAL HOUSING AND ANY RELATED ATTACHMENTS TO A SIGNAL FACE LOCATED OVER ANY PORTION OF A HIGHWAY SHALL BE ACCORDING TO CURRENT STATE STANDARD 880001 WITH A MINIMUM OF 17 FT (5.18 m) FROM THE HIGHEST POINT OF PAVEMENT.
5. THE TOP OF THE SIGNAL HOUSING OF A SIGNAL FACE LOCATED OVER ANY PORTION OF A HIGHWAY SHALL NOT BE MORE THAN 25.6 FT (7.8 m) ABOVE THE PAVEMENT.

**TRAFFIC SIGNAL EQUIPMENT OFFSET**

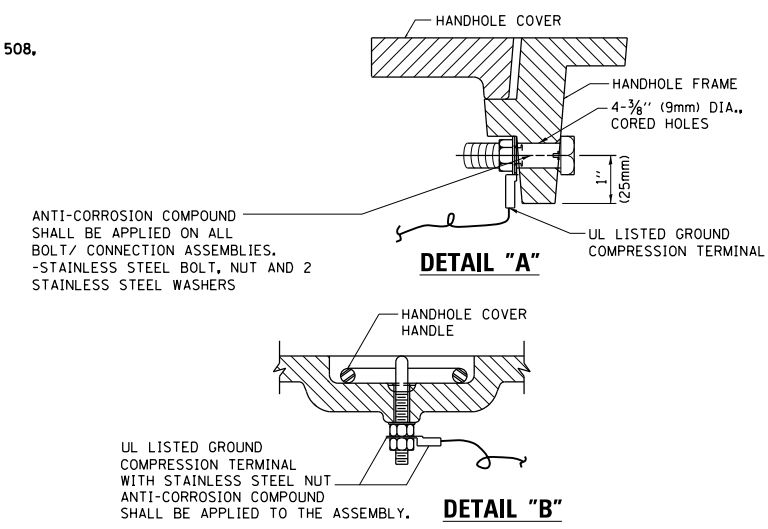
TRAFFIC SIGNAL EQUIPMENT	COMBINATION CONCRETE CURB AND GUTTER (MINIMUM DISTANCE FROM BACK OF CURB TO CENTERLINE OF FOUNDATION)	SHOULDER/NON-CURBED AREA (MINIMUM DISTANCE FROM EDGE OF PAVEMENT TO CENTERLINE OF FOUNDATION)
TRAFFIC SIGNAL MAST ARM POLE	6 FT (1.8m)	SHOULDER WIDTH + 2 FT (0.6m), MINIMUM 10 FT (3.0m)
TRAFFIC SIGNAL POST	4 FT (1.2m)	SHOULDER WIDTH + 2 FT (0.6m), MINIMUM 10 FT (3.0m)
PEDESTRIAN SIGNAL POST	4 FT (1.2m)	SHOULDER WIDTH + 2 FT (0.6m), MINIMUM 10 FT (3.0m)
PEDESTRIAN PUSHBUTTON POST	4 FT (1.2m)	SHOULDER WIDTH + 2 FT (0.6m), MINIMUM 10 FT (3.0m)
TEMPORARY WOOD POLE	6 FT (1.8m)	SHOULDER WIDTH + 2 FT (0.6m), MINIMUM 10 FT (3.0m)
CONTROLLER CABINET	6 FT (1.8m) MINIMUM DISTANCE SEE NOTE 2	SHOULDER WIDTH + 6 FT (1.8m), MINIMUM 16 FT (4.9m) SEE NOTE 3.
SERVICE INSTALLATION, GROUND MOUNT	6 FT (1.8m) MINIMUM DISTANCE SEE NOTE 2	SHOULDER WIDTH + 6 FT (1.8m), MINIMUM 16 FT (4.9m) SEE NOTE 3.

**NOTES:**

1. CONTACT THE "AREA TRAFFIC SIGNAL MAINTENANCE AND OPERATIONS ENGINEER" FOR ASSISTANCE IN LOCATING THE TRAFFIC SIGNAL EQUIPMENT WHEN THERE ARE CONFLICTS WITH DITCHES OR THE MINIMUM OFFSET DISTANCES CANNOT BE MET.
2. MINIMUM DISTANCE FROM THE BACK OF CURB TO THE ROADWAY SIDE OF THE FOUNDATION.
3. MINIMUM DISTANCE FROM THE EDGE OF PAVEMENT TO THE ROADWAY SIDE OF THE FOUNDATION.
4. ANY CHANGES TO THE OFFSETS OF THE FOUNDATIONS, FROM THE MINIMUM DISTANCES LISTED IN THE "TRAFFIC SIGNAL EQUIPMENT OFFSET" CHART AND THE TRAFFIC SIGNAL INSTALLATION PLAN, COULD EFFECT THE PLACEMENT OF THE SIGNAL HEADS, PEDESTRIAN SIGNAL HEADS AND THE PEDESTRIAN PUSHBUTTONS. THE SIGNAL HEAD PLACEMENT ON THE MAST ARMS SHALL REMAIN AS PER THE TRAFFIC SIGNAL INSTALLATION PLAN AND THE "TRAFFIC SIGNAL MAST ARM AND SIGNAL POST" DETAIL ABOVE. THE PROPOSED MAST ARM LENGTHS MAY NEED TO BE REVISED TO MEET THE ABOVE REQUIREMENTS. THE PEDESTRIAN SIGNAL HEADS AND PEDESTRIAN PUSHBUTTONS MUST MEET THE REQUIREMENTS UNDER THE DETAILS ON THIS SHEET.

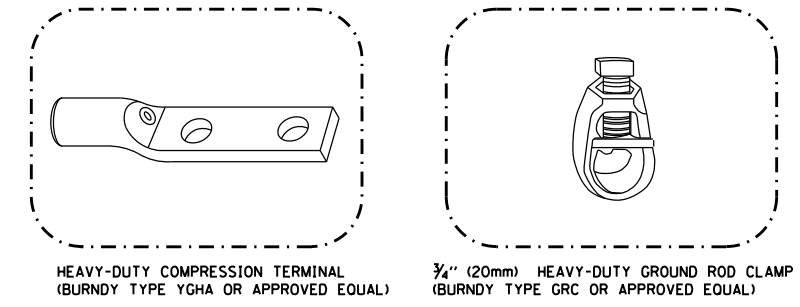
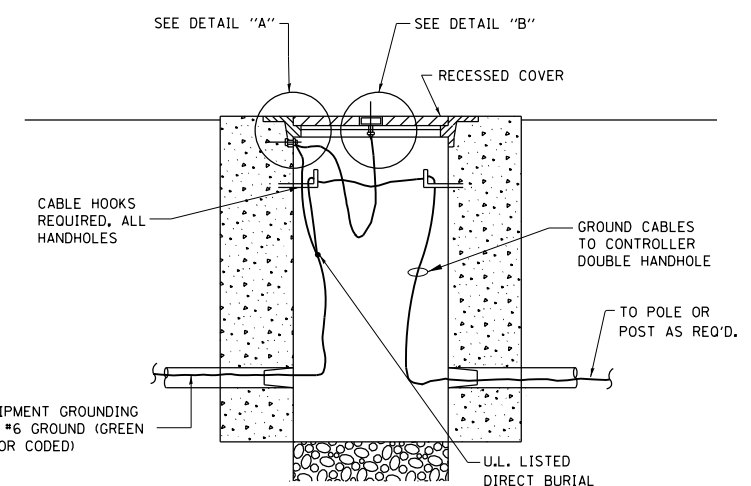


**ELECTRICAL SERVICE - PANEL DIAGRAM (TYPICAL FOR POLE AND GROUND MOUNTED SERVICE) SERVICE INSTALLATION POLE MOUNT (SHOWN) (NOT TO SCALE)**

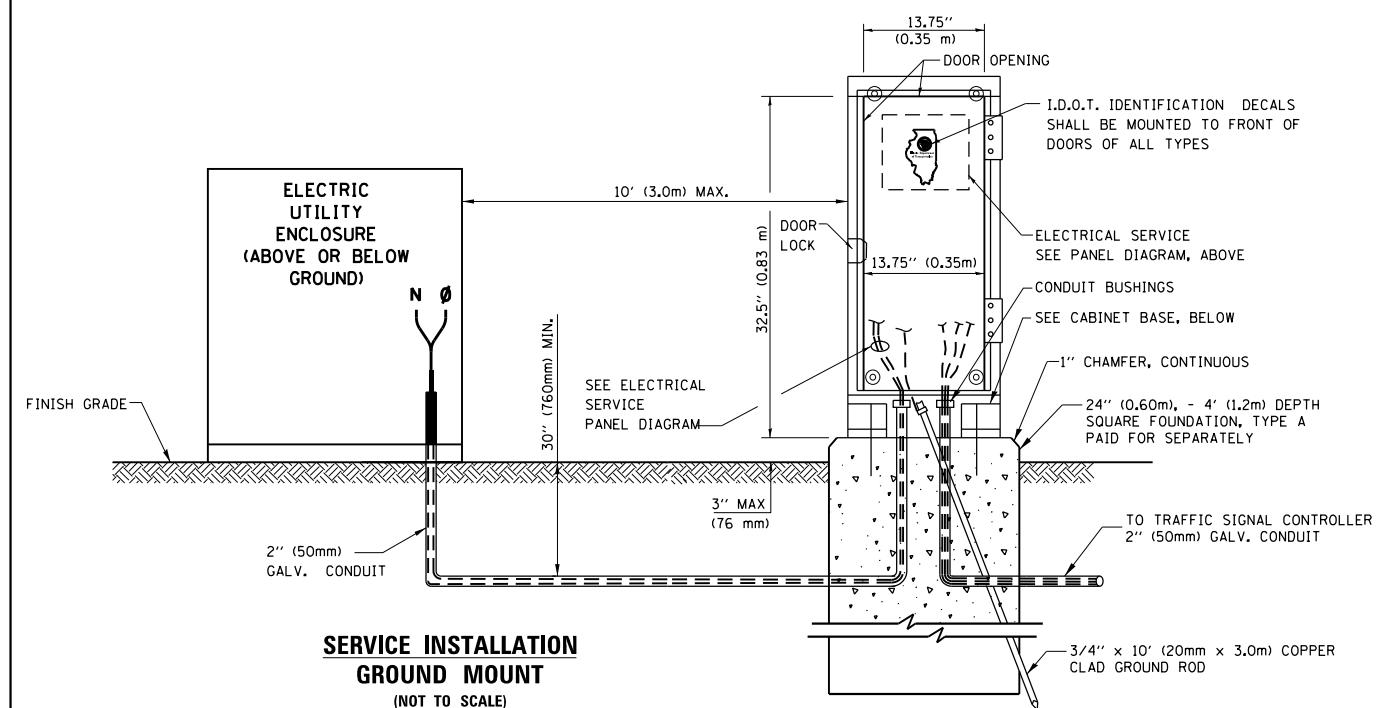
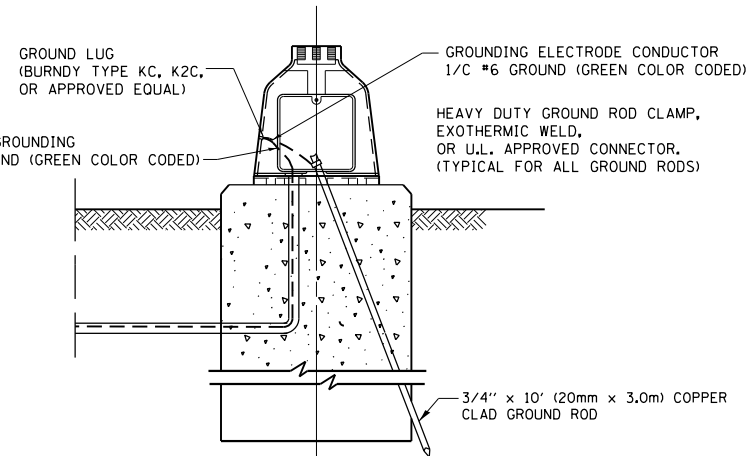
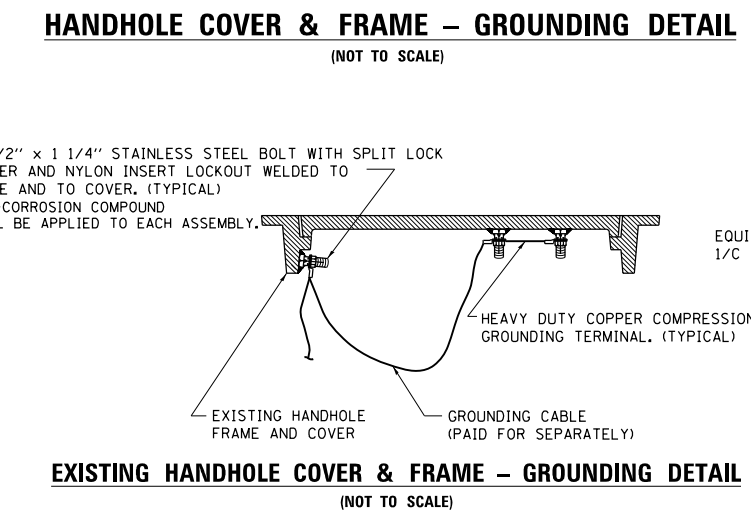


**NOTES:**  
**GROUNDING SYSTEM**

- THE GROUNDING SYSTEM SHALL CONSIST OF AN INSULATED CONDUCTOR TYPE XLP, NO. 6 A.W.G., STRANDED COPPER TO BE INSTALLED IN RACEWAYS. THE GROUNDING CABLE SHALL BE INSTALLED IN A CONTINUOUS MANNER AS SHOWN ON THE CABLE PLAN ENCLOSED. ALL GROUNDING CONDUCTORS SHALL BE BONDED TO METAL ENCLOSURE (HANDHOLE, POST, MAST ARM, CONTROLLER, ETC.). GROUND ROD SHALL BE 3/4" DIA. x 10'-0" (20mm x 3.0m) LONG, COPPER CLAD. ONE GROUND ROD SHALL BE INSTALLED AT ALL POST FOUNDATIONS, POLE FOUNDATIONS, CONTROLLER CABINET FOUNDATION AND ELECTRICAL SERVICE INSTALLATION AS INDICATED ON THE CABLE PLAN. IF THERE ARE ANY SPECIAL CONDITIONS SUCH AS SUB-SURFACE CONDITIONS OR INSTALLATION PROBLEMS, THE RESIDENT ENGINEER SHALL BE NOTIFIED OR CONTACT THE BUREAU OF TRAFFIC, ILLINOIS DEPARTMENT OF TRANSPORTATION DISTRICT ONE AT (847) 705-4139.
- THE NEUTRAL CONDUCTOR AND THE GROUND CONDUCTOR SHALL BE CONNECTED IN THE SERVICE INSTALLATION. AT NO OTHER POINT IN THE TRAFFIC SIGNAL SYSTEM SHALL THE NEUTRAL AND GROUND CONDUCTORS BE CONNECTED.
- ALL EQUIPMENT GROUNDING CONDUCTORS SHALL TERMINATE AT THE GROUND BUS IN THE CONTROLLER CABINET.
- THE CONTRACTOR SHALL PROVIDE A GROUND CABLE WITH CONNECTORS BETWEEN THE HANDHOLE COVER AND HANDHOLE FRAME.

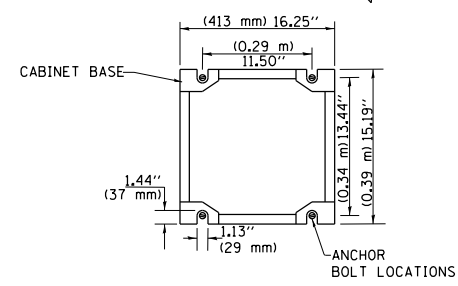


- NOTES:**
- ALL CLAMPS SHALL BE BRONZE OR COPPER, UL APPROVED.
  - GROUND CABLE SHALL BE LOOPED OVER HOOKS IN THE HANDHOLES 6.5' (2.0m) SLACK SHALL BE PROVIDED IN SINGLE HANDHOLES 13' (4.0m) OF SLACK SHALL BE PROVIDED IN DOUBLE HANDHOLES. 5' (1.4m) OF SLACK SHALL BE PROVIDED BETWEEN FRAME AND COVER.

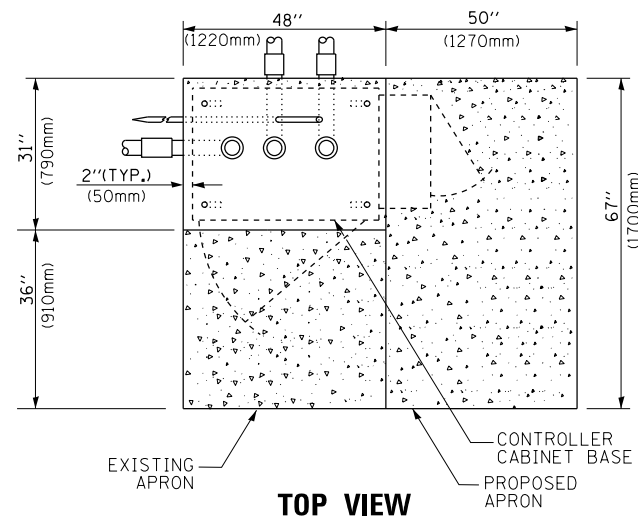


**SERVICE INSTALLATION GROUND MOUNT (NOT TO SCALE)**

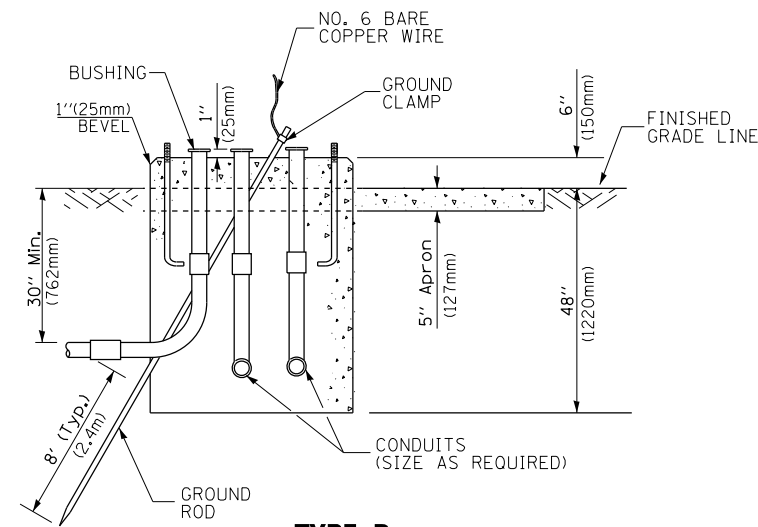
**CABINET - BASE BOLT PATTERN (NOT TO SCALE)**



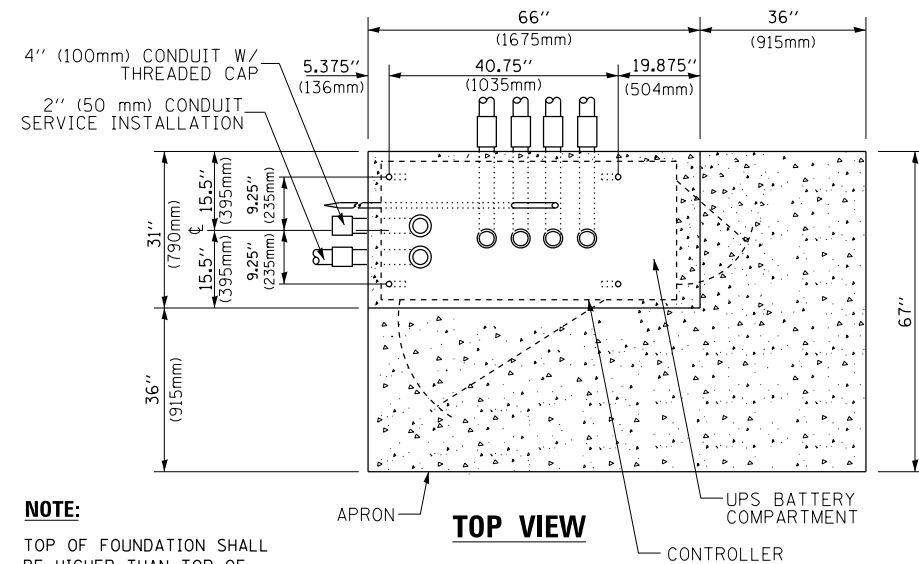




**TOP VIEW**

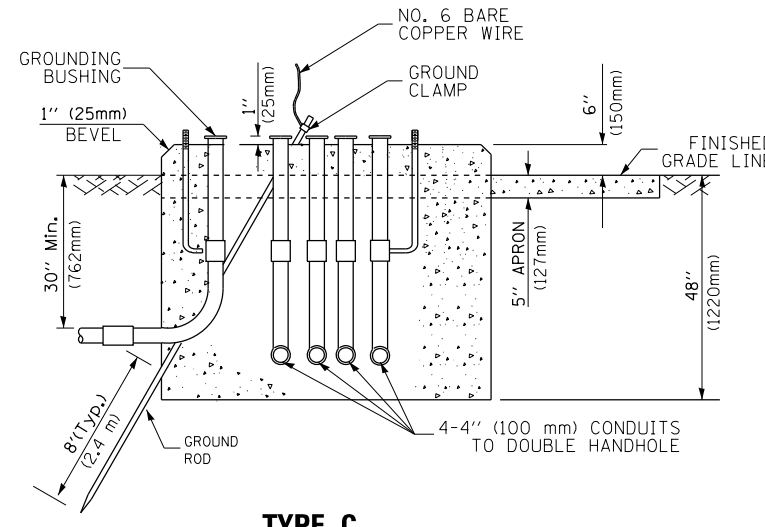


**TYPE D  
FOR GROUND MOUNTED  
CONTROLLER CABINET  
AND UPS BATTERY CABINET**

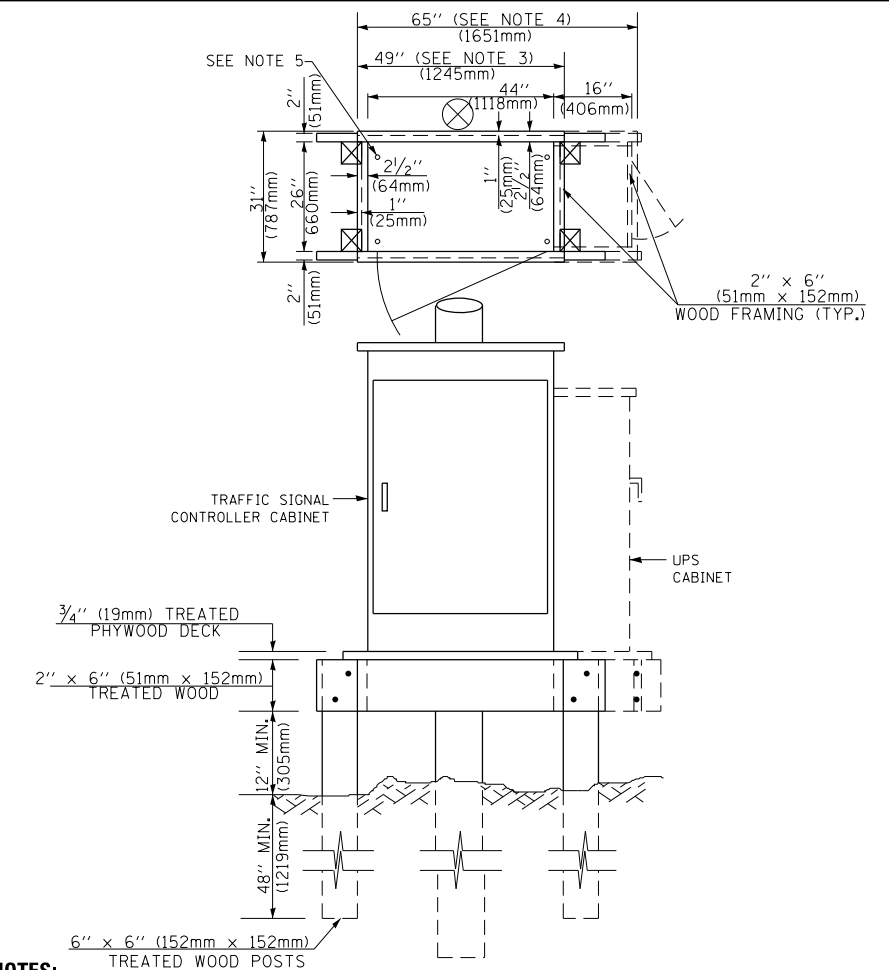


**TOP VIEW**

**NOTE:**  
TOP OF FOUNDATION SHALL BE HIGHER THAN TOP OF DOUBLE HANDHOLE



**TYPE C  
FOR GROUND MOUNTED  
SUPER P (TYPE IV) AND SUPER R (TYPE V)  
CONTROLLER CABINETS**



**NOTES:**

1. BASED ON CONTROLLER CABINET TYPE IV WITH BASE DIMENSIONS OF 26" x 44" (660mm x 1118mm). ADJUST PLATFORM SIZE TO FIT CABINET BASE DIMENSIONS BEING SUPPLIED.
2. BASED ON UNINTERRUPTIBLE POWER SUPPLY CABINET WITH BASE DIMENSIONS OF 16" x 25" (406mm x 635mm). ADJUST PLATFORM SIZE TO FIT CABINET BASE DIMENSIONS BEING SUPPLIED.
3. PLATFORM SIZE FOR CONTROLLER CABINET TYPE IV.
4. PLATFORM SIZE FOR CONTROLLER CABINET TYPE IV AND UNINTERRUPTIBLE POWER SUPPLY CABINET.
5. DRILLED HOLES THROUGH THE PLATFORM BASE TO MATCH THE CONTROLLER CABINET BOLT TEMPLATE. FASTEN THE CONTROLLER CABINET TO THE PLATFORM WITH CARRIAGE BOLTS, WASHERS AND NUTS.
6. FASTEN ALL SUPPORT WOOD FRAMING TO THE WOOD POSTS WITH 2 LAG SCREWS FOR EACH CONNECTION..

**TEMPORARY SIGNAL CONTROLLER  
WOOD SUPPORT PLATFORM**

CABLE SLACK LENGTH	FEET	METER
HANDHOLE	6.5	2.0
DOUBLE HANDHOLE	13.0	4.0
SIGNAL POST	2.0	0.6
MAST ARM	2.0	0.6
CONTROLLER CABINET	1.5	0.5
FIBER OPTIC AT CABINET	13.0	4.0
ELECTRIC SERVICE AT (CABINET OR SERVICE LOCATION)	1.5	0.5
GROUND CABLE (SIGNAL POST, MAST ARM, CABINET)	1.5	0.5
GROUND CABLE (BETWEEN FRAME AND COVER)	5.0	1.6

**CABLE SLACK**

VERTICAL CABLE LENGTH	FEET	METER
MAST ARM POLE ( MAST ARM MOUNTED SIGNAL HEAD) (L = MAST ARM LENGTH - DISTANCE TO SIGNAL HEAD FROM END OF ARM)	20.0+L	6.0+L
BRACKET MOUNTED (MAST ARM POLE OR SIGNAL POLE)	13.0	4.0
PEDESTRIAN PUSH BUTTON	6.0	2.0
SERVICE INSTALLATION POLE MOUNT TO SERVICE DROP	13.5	4.1
SERVICE INSTALLATION POLE MOUNT TO GROUND	13.5	4.1
SERVICE INSTALLATION GROUND MOUNT	6.0	2.0
FOUNDATION (SIGNAL POST, MAST ARM POLE, CONTROLLER CABINET, SERVICE-GROUND MOUNT)	3.0	1.0

**VERTICAL CABLE LENGTH**

FOUNDATION	DEPTH
TYPE A - Signal Post	4'-0" (1.2m)
TYPE C - CONTROLLER W/ UPS	4'-0" (1.2m)
TYPE D - CONTROLLER	4'-0" (1.2m)
SERVICE INSTALLATION, GROUND MOUNT, TYPE A - SQUARE	4'-0" (1.2m)

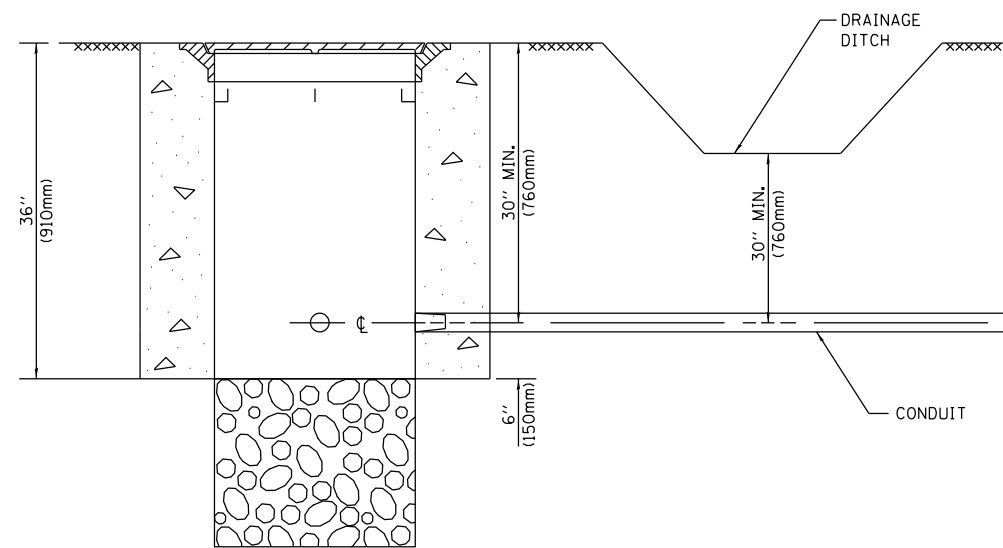
**DEPTH OF FOUNDATION**

MAST ARM LENGTH	① Foundation Depth	Foundation Diameter	Spiral Diameter	Quantity of Rebars	Size of Rebars
Less than 30' (9.1 m)	10'-0" (3.0 m)	30" (750mm)	24" (600mm)	8	6(19)
Greater than or equal to 30' (9.1 m) and less than 40' (12.2 m)	13'-6" (4.1 m)	30" (750mm)	24" (600mm)	8	6(19)
Greater than or equal to 40' (12.2 m) and less than 50' (15.2 m)	11'-0" (3.4 m)	36" (900mm)	24" (600mm)	12	7(22)
Greater than or equal to 50' (15.2 m) and up to 55' (16.8 m)	13'-0" (4.0 m)	36" (900mm)	30" (750mm)	12	7(22)
Greater than or equal to 55' (16.8 m) and less than 65' (19.8 m)	15'-0" (4.6 m)	36" (900mm)	30" (750mm)	12	7(22)
Greater than or equal to 65' (19.8 m) and up to 75' (22.9 m)	21'-0" (6.4 m)	42" (1060mm)	36" (900mm)	16	8(25)
Greater than or equal to 75' (22.9 m) and up to 85' (25.9 m)	25'-0" (7.6 m)	42" (1060mm)	36" (900mm)	16	8(25)

**NOTES:**

1. These foundation depths are for sites which have cohesive soils (clayey silt, sandy clay, etc.) along the length of the shaft, with an average unconfined compressive strength (qu) > 1.0 tsf (100 kpa). This strength shall be verified by boring data prior to construction or with testing by the Engineer during foundation drilling. The Bureau of Bridges & Structures should be contacted for a revised design if other conditions are encountered.
2. Combination mast arm assemblies under 55 feet (16.8 m) shall use 36" (900 mm) diameter foundations.
3. Combination mast arm assemblies under 56 feet (16.8 m) through 75 feet (22.9 m) shall use 42" (1060 mm) diameter foundations.
4. For mast arm assemblies with dual arms refer to state standard 878001..

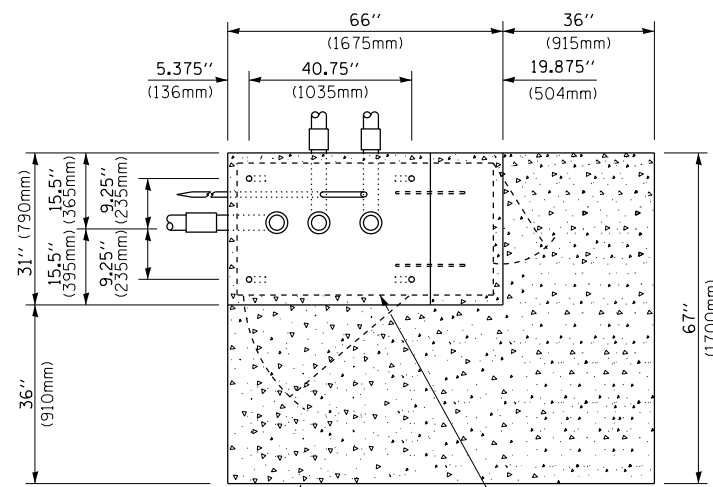
**DEPTH OF MAST ARM FOUNDATIONS, TYPE E**



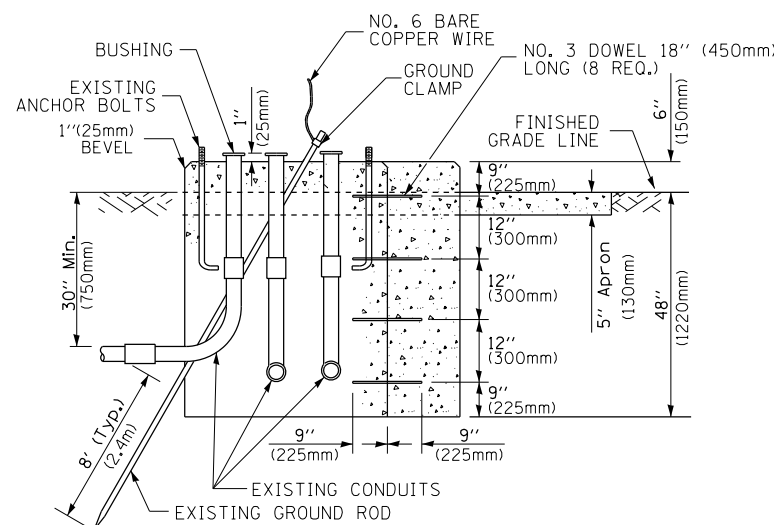
**NOTES:**

1. CONDUIT DEPTH SHALL BE A MINIMUM OF 30" (760mm) BELOW THE BOTTOM OF THE DRAINAGE DITCH OR ANY SLOPING GROUND
2. THE MINIMUM CONDUIT DEPTH APPLIES TO ALL CONDUIT PLACED UNDER ROADWAY PAVEMENT, MULTI-USE PATHS, SIDEWALKS AND SOIL SURFACES.
3. THE MINIMUM CONDUIT DEPTH APPLIES TO ALL HANDHOLES, HEAVY DUTY HANDHOLES AND DOUBLE HANDHOLES.

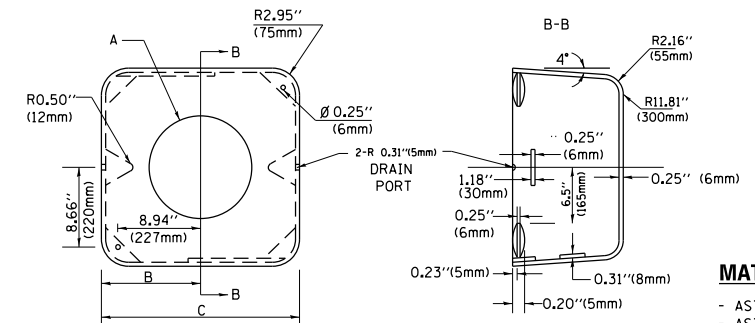
**HANDHOLE WITH MINIMUM CONDUIT DEPTH**  
(NOT TO SCALE)



**TOP VIEW**  
(NOT TO SCALE)



**MODIFY EXISTING TYPE "D" FOUNDATION TO TYPE "C" FOUNDATION**  
(NOT TO SCALE)



**MATERIAL:**  
- ASTM A36 STEEL  
- ASTM A-123 HOT DIPPED GALVANIZED

A	B	C	HEIGHT	WEIGHT
VARIABLES	9.5" (241mm)	19" (483mm)	7" (178mm) - 12" (300mm)	53 lbs (24kg)
VARIABLES	10.75" (273mm)	21.5" (546mm)	7" (178mm) - 12" (300mm)	68 lbs (31 kg)
VARIABLES	13.0" (330mm)	26" (660mm)	7" (178mm) - 12" (300mm)	81 lbs (37 kg)
VARIABLES	18.5" (470mm)	37" (940mm)	7" (178mm) - 12" (300mm)	126 lbs (57 kg)

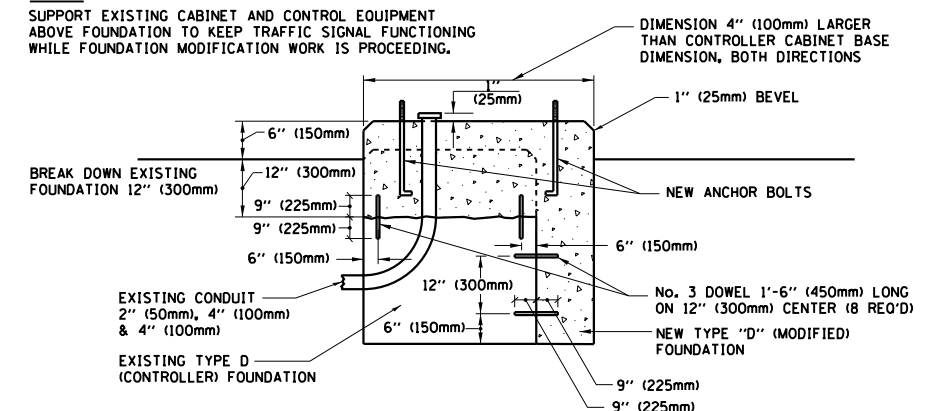
**SHROUD**

**NOTES:**

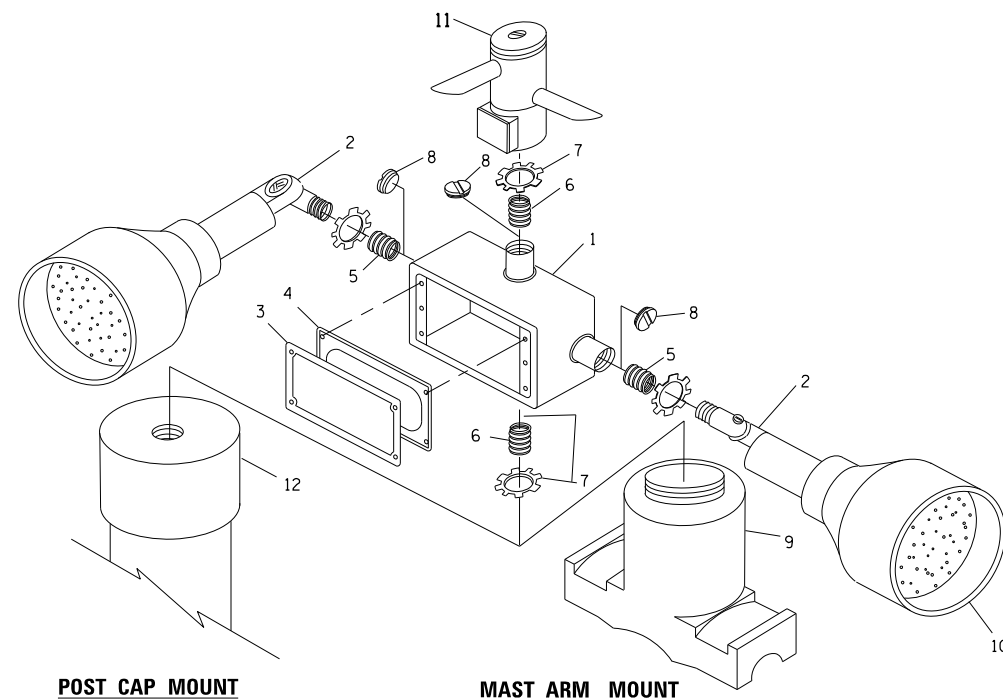
1. DIMENSION "A" IS EQUAL TO THE DIAMETER OF THE MAST ARM POLE AT THE TOP OF THE SHROUD. THE SHROUD SHALL BE TIGHT TO THE MAST ARM POLE.
2. THE SUPPLIER SHALL VERIFY THE ABOVE DIMENSIONS BASED ON MAST ARM REQUIREMENTS.
3. THE HEIGHT OF THE SHROUD SHALL COVER THE ANCHOR BOLTS, NUTS AND MAST ARM POLE BASE.

**NOTE:**

SUPPORT EXISTING CABINET AND CONTROL EQUIPMENT ABOVE FOUNDATION TO KEEP TRAFFIC SIGNAL FUNCTIONING WHILE FOUNDATION MODIFICATION WORK IS PROCEEDING.



**MODIFY EXISTING TYPE "D" FOUNDATION**

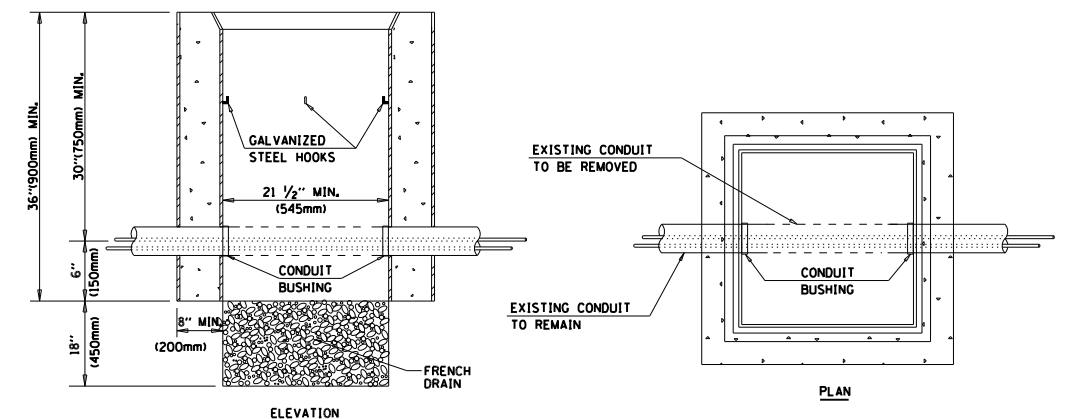


**POST CAP MOUNT**      **MAST ARM MOUNT**  
**EMERGENCY VEHICLE DETECTOR WITH CONFIRMATION BEACON MOUNTING DETAIL**

ITEM NO.	IDENTIFICATION
1	OUTLET BOX- GALV. 21 CU.IN. (0.000344 CU-M)
2	LAMP HOLDER AND COVER
3	OUTLET BOX COVER
4	RUBBER COVER GASKET
5	REDUCING BUSHING
6	3/4" (19 mm) CLOSE NIPPLE
7	3/4" (19 mm) LOCKNUT
8	3/4" (19 mm) HOLE PLUG
9	SADDLE BRACKET - GALV.
10	6 WATT PAR 38 LED FLOOD LAMP
11	DETECTOR UNIT
12	POST CAP [18 FT. (5.4 m) POST MIN.]

**NOTES:**

1. ALL ELECTRICAL ITEMS, EXCEPT ITEMS #2 AND #11 SHALL BE ALUMINUM OR GALVANIZED
2. ITEM #1- OZ/GEDNEY FSX-1-50 OR EQUIVALENT  
ITEM #2- MULBERRY CON-O-SHADE LAMP SHIELD OR EQUIVALENT  
ITEM #9- "BAND-IT" SADDLE BRACKET OR EQUIVALENT
3. WHEN POST MOUNTING IS SPECIFIED, ITEM #9 SHALL NOT BE REQUIRED. THE DETECTION UNIT SHALL BE MOUNTED DIRECTLY ON TOP OF THE CAP BY DRILLING AND TAPPING A 3/4" (19 mm) HOLE WITH PIPE THREADS. THE POST CAP SHALL EITHER BE SCREWED TO THE TOP OF THE POST OR A MINIMUM OF 3 TIGHTENING SCREWS SHALL BE REQUIRED ON EACH CAP.



**NOTES:**

1. HANDHOLE CONSTRUCTED PER STATE STANDARD 814001.
2. REMOVAL OF THE EXISTING CONDUIT FROM THE HANDHOLE AND THE INSTALLATION OF THE CONDUIT BUSHINGS SHALL BE INCLUDED WITH THE COST OF THE HANDHOLE.

**HANDHOLE TO INTERCEPT EXISTING CONDUIT**

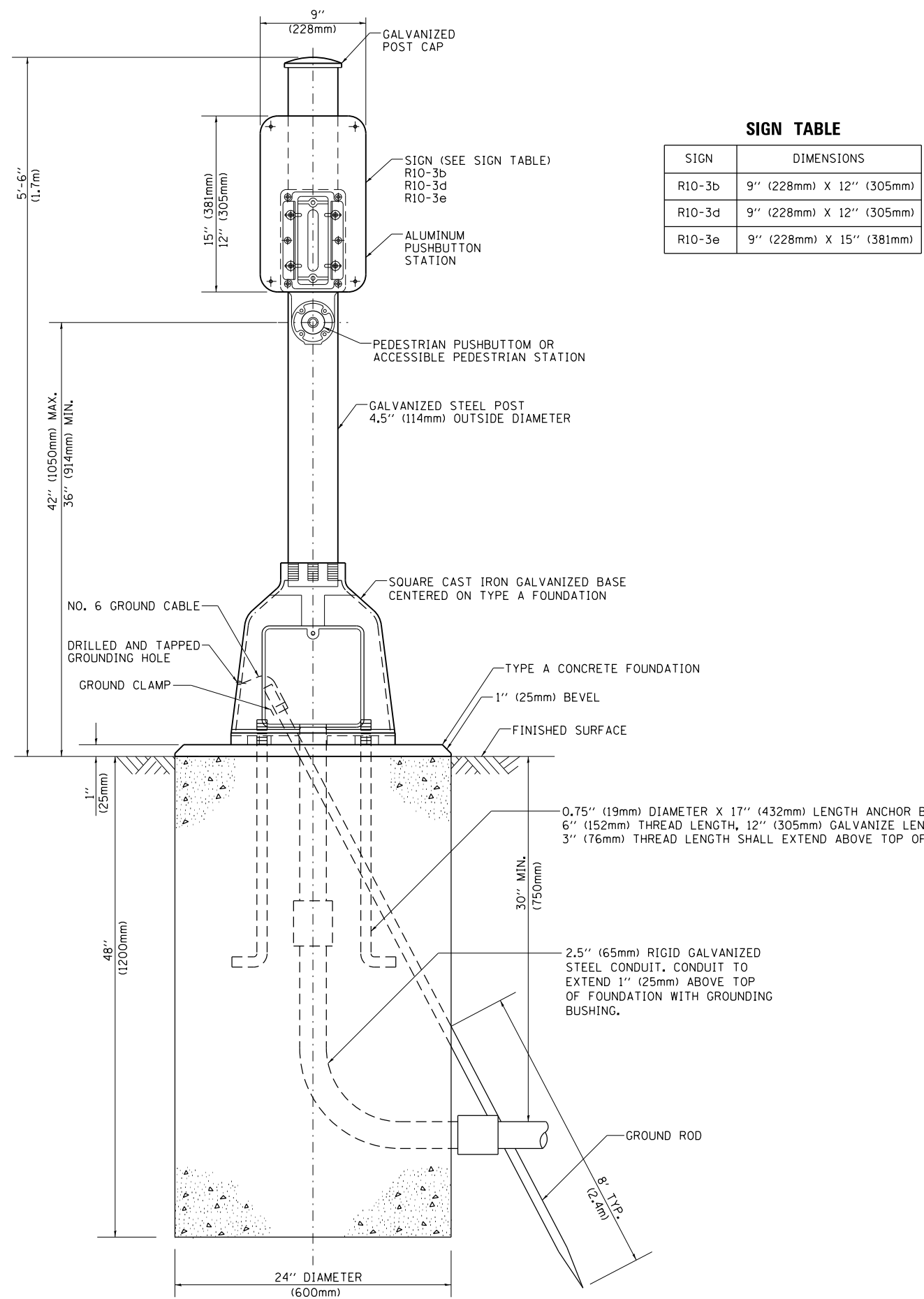
FILE NAME =	USER NAME = hassann	DESIGNED - DAD	REVISED - DAG 1-1-14
pw:\IL084EBIDINTEG\illinois.gov\PIWIDOT\Documents\IDOT Offices\District 1\Projects\PI14\DRAWING\Design\BCKStd.dgn		CHECKED - DAD	REVISED -
	PLOT SCALE = 100.0000' / 1in.	DATE - 10-28-09	REVISED -
	PLOT DATE = 3/30/2016		

**STATE OF ILLINOIS**  
**DEPARTMENT OF TRANSPORTATION**

**DISTRICT ONE**  
**STANDARD TRAFFIC SIGNAL DESIGN DETAILS**

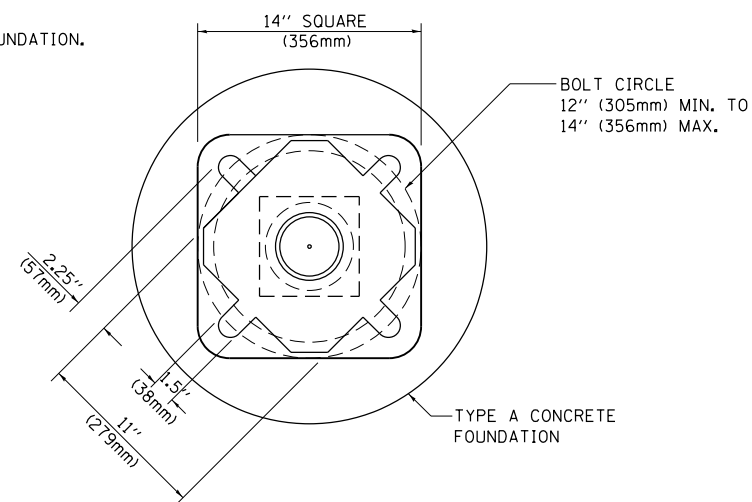
SCALE: NONE      SHEET NO. 6 OF 7 SHEETS      STA.      TO STA.

F.A.P. RTE.	SECTION	COUNTY	TOTAL SHEETS	SHEET NO.
870	534-1-N	WILL	62	30
<b>TS-05</b>		<b>CONTRACT NO. 60X59</b>		
FED. ROAD DIST. NO. 1 ILLINOIS FED. AID PROJECT				



**SIGN TABLE**

SIGN	DIMENSIONS
R10-3b	9" (228mm) X 12" (305mm)
R10-3d	9" (228mm) X 12" (305mm)
R10-3e	9" (228mm) X 15" (381mm)



**BOLT PATTERN**  
**PEDESTRIAN PUSH BUTTON POST, TYPE A**

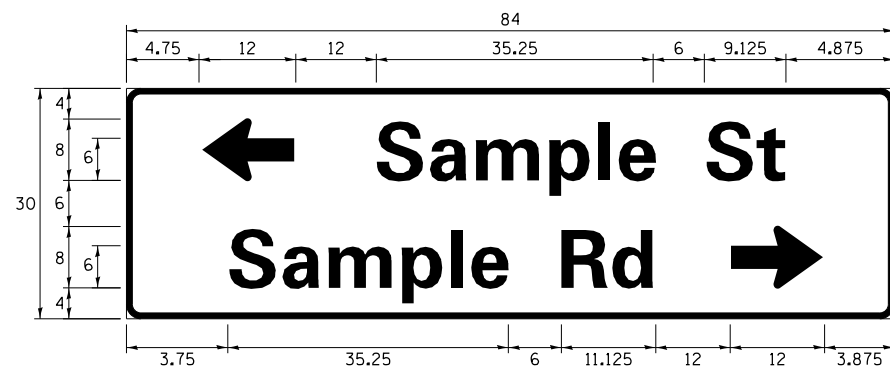
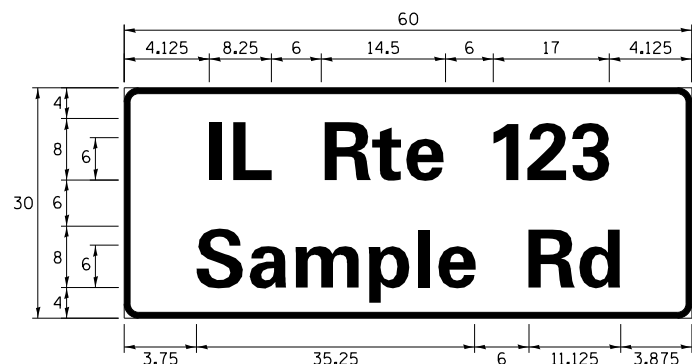
FILE NAME =	USER NAME = hassann	DESIGNED - DAG	REVISED - DAG 1-1-14
p:\11\084EBID\INTEG.illinois.gov\PWIDOT\Documents\DOT Offices\District 1\Projects\PI14\BIDRAW\Notes\Design\GNDStd.dgn		CHECKED - DAD	REVISED -
PLOT SCALE = 100.0000' / 1"		DATE - 10/1/2012	REVISED -
PLOT DATE = 3/30/2016			

**STATE OF ILLINOIS  
DEPARTMENT OF TRANSPORTATION**

<b>DISTRICT ONE STANDARD TRAFFIC SIGNAL DESIGN DETAILS</b>			
SCALE: NONE	SHEET NO. 7 OF 7 SHEETS	STA.	TO STA.

F.A.P. RTE.	SECTION	COUNTY	TOTAL SHEETS	SHEET NO.
870	534-1-N	WILL	62	31
<b>TS-05</b>			<b>CONTRACT NO. 60X59</b>	
FED. ROAD DIST. NO. 1   ILLINOIS FED. AID PROJECT				

**SIGN PANEL – TYPE 1 OR TYPE 2**



DESIGN SERIES	AREA (SQ FT)	SIGN PANEL TYPE	SHEETING TYPE	QTY. REQUIRED
D OR C	-	1 OR 2	ZZ	-

ALL DIMENSIONS ARE IN INCHES EXCEPT NOTED OTHERWISE

**COMMON STREET NAME ABBREVIATIONS AND WIDTHS**

NAME	ABBREVIATION	WIDTH (INCH)	
		SERIES "C"	SERIES "D"
AVENUE	Ave	15.000	18.250
BOULEVARD	Blvd	17.125	20.000
CIRCLE	Cir	11.125	13.000
COURT	Ct	8.250	9.625
DRIVE	Dr	8.625	10.125
HIGHWAY	Hwy	18.375	22.000
ILLINOIS	IL	7.000	8.250
LANE	Ln	9.125	10.750
PARKWAY	Pkwy	23.375	27.375
PLACE	Pl	7.125	7.750
ROAD	Rd	9.625	11.125
ROUTE	Rte	12.625	14.500
STREET	St	8.000	9.125
TERRACE	Ter	12.625	14.625
TRAIL	Tr	7.750	9.125
UNITED STATES	US	10.375	12.250

**GENERAL NOTES**

- WHERE MAST ARM MOUNTED STREET NAME SIGNS ARE SPECIFIED, THE MAST ARM ASSEMBLY AND POLES SHALL BE DESIGNED TO SUPPORT THE LOADINGS CALLED FOR ON STANDARDS 877001, 877002, 877006, 877011 AND 877012, AS APPLICABLE, PLUS TWO (2) SIGN PANELS 2'-6" x 8'-0" MOUNTED AS SHOWN. THE DESIGN SHALL BE IN ACCORDANCE WITH THE REQUIREMENTS OF THE CURRENT "STANDARD SPECIFICATIONS FOR STRUCTURAL SUPPORTS FOR HIGHWAY SIGNS, LUMINAIRES, AND TRAFFIC SIGNALS" AS PUBLISHED BY THE AMERICAN ASSOCIATION OF STATE HIGHWAY AND TRANSPORTATION OFFICIALS FOR 80 M.P.H. WIND VELOCITY.
- ALL SIGNS SHALL CONSIST OF A WHITE LEGEND AND BORDER (TYPE ZZ SHEETING) ON A GREEN BACKGROUND (TYPE ZZ SHEETING)
- THE SIGN LENGTH SHALL BE IN 6-INCH INCREMENTS, BUT THE OVERALL LENGTH SHALL NOT EXCEED 8'-0". ALL BORDERS SHALL BE 3/4" WIDE. CORNER RADIUS SHALL BE 1-7/8". THE SPACING BETWEEN THE WORDS SHOULD BE 6", IF POSSIBLE, BUT MAY BE REDUCED TO 5" WHEN SPACING IS CRITICAL. A MINIMUM OF 2-1/2" SHALL BE INCLUDED BETWEEN THE WORD AND THE RIGHT AND LEFT EDGES OF THE SIGN.
- A PREFERRED METHOD FOR THE SIGN DESIGN IS TO USE SERIES "D" LETTER ON A ONE-LINE SIGN 18" IN HEIGHT AND A MAXIMUM OF 8'-0" IN WIDTH. IF SERIES "D" DOES NOT FIT ON A 8'-0" SIGN, THEN SERIES "C" SHOULD BE TRIED. IF SERIES "C" DOES NOT FIT ON A 8'-0" SIGN, A 30" HIGH TWO-LINE SIGN CAN BE USED. THE CROSSROAD DESIGNATION AS TO STREET, AVENUE, ETC. SHOULD BE SPELLED OUT ON THE SECOND LINE, IF THE ABBREVIATION CANNOT FIT ON THE FIRST LINE.
- LED ILLUMINATED STREET NAME SIGNS CAN BE USED IN PLACE OF REGULAR SIGN PANELS BUT ANY SPECIAL WORDING AND SYMBOLOGY MUST BE APPROVED BY THE DEPARTMENT. GENERAL DESIGN REQUIREMENT AS LISTED ABOVE (COLOR, FONT, SIZE, ETC.) MUST BE FOLLOWED.
- SIGNFIX ALUMINUM CHANNEL FRAMING SYSTEM SHALL BE USED FOR ALL SIGNS ATTACHED TO SIGNAL POLES AND POSTS.

LOCAL SUPPLIERS:

- J.O. HERBERT COMPANY, INC  
MIDLOTHIAN, VA
- WESTERN REMAC, INC.  
WOODRIDGE, IL

PARTS LISTING:

- SIGN CHANNEL PART \*HPN053 (MED. CHANNEL)  
SIGN SCREWS 1/4" x 14 x 1" H.W.H. #3  
SELF TAPPING WITH NEOPRENE WASHER  
PART \*HPN034 (UNIVERSAL)
- BRACKETS CHANNEL CLAMPS WITH STAINLESS STEEL STRAPPING

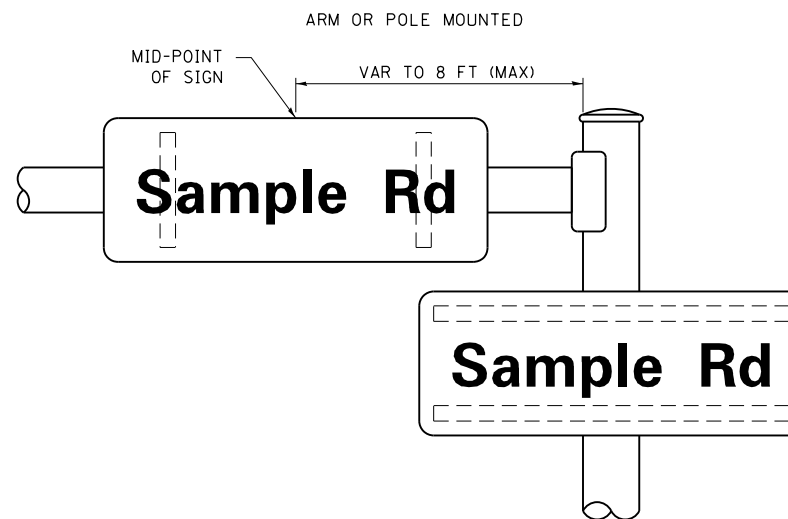
OTHER BRANDS OF MOUNTING HARDWARE ARE ACCEPTABLE, BASED UPON THE DEPARTMENT'S APPROVAL AND COMPATIBILITY WITH THE CHANNEL/BACKET OF THE ABOVE PRODUCT.

**STANDARD ALPHABETS SPACING CHART**

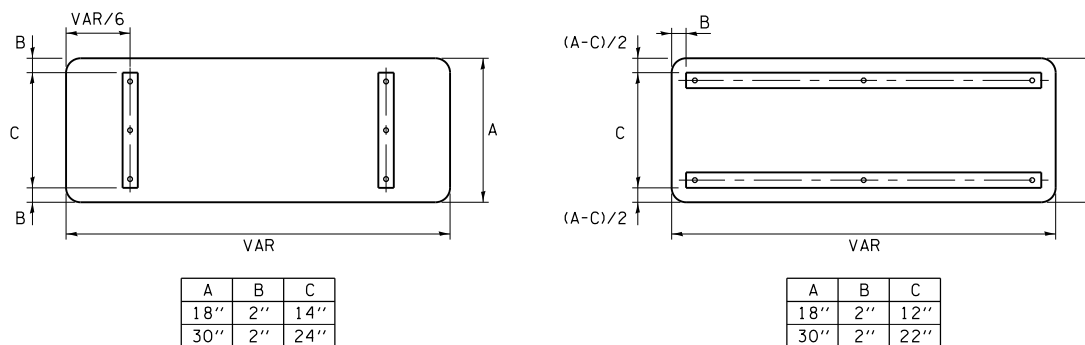
(8") UPPER CASE AND (6") LOWER CASE

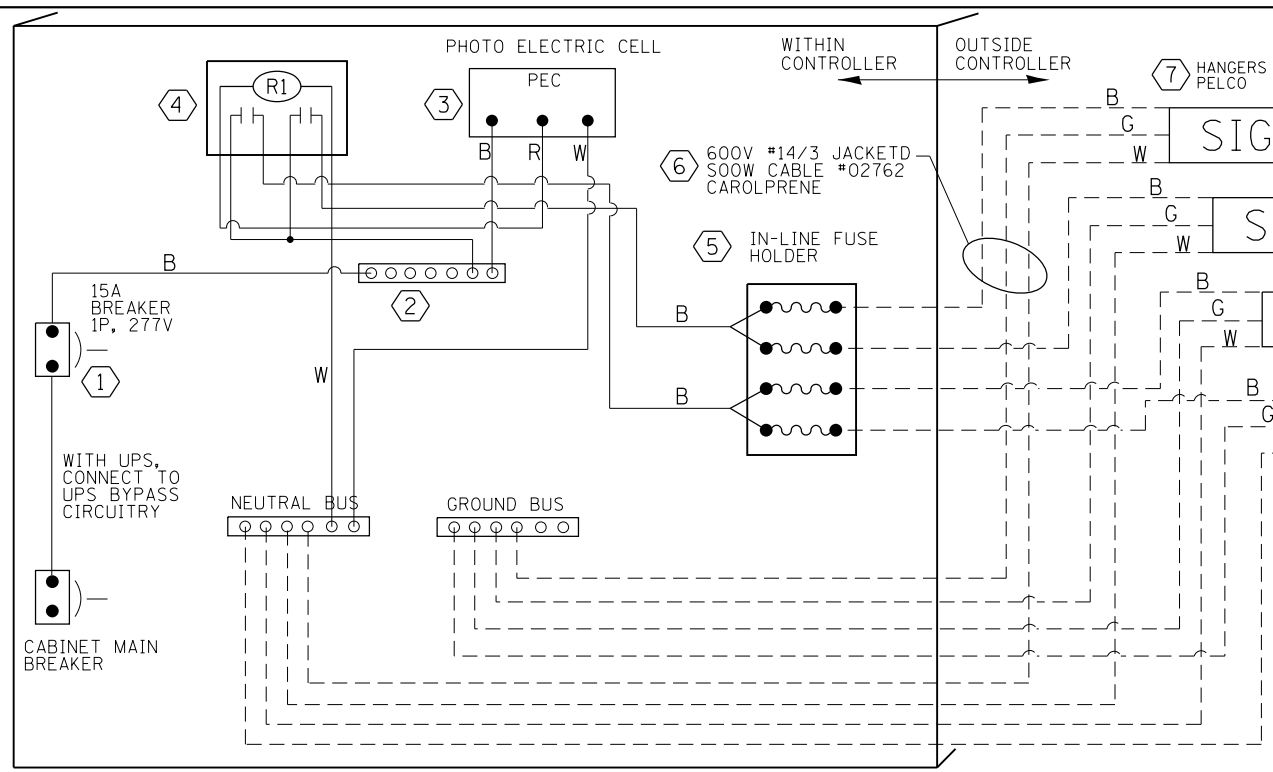
CHARACTER	FHWA SERIES "C"			FHWA SERIES "D"			
	LEFT SPACING (INCH)	WIDTH (INCH)	RIGHT SPACING (INCH)	CHARACTER	LEFT SPACING (INCH)	WIDTH (INCH)	RIGHT SPACING (INCH)
A	0.240	5.122	0.240	A	0.240	6.804	0.240
B	0.880	4.482	0.480	B	0.960	5.446	0.400
C	0.720	4.482	0.720	C	0.800	5.446	0.800
D	0.880	4.482	0.720	D	0.960	5.446	0.800
E	0.880	4.082	0.480	E	0.960	4.962	0.400
F	0.880	4.082	0.240	F	0.960	4.962	0.240
G	0.720	4.482	0.720	G	0.800	5.446	0.800
H	0.880	4.482	0.880	H	0.960	5.446	0.960
I	0.880	1.120	0.880	I	0.960	1.280	0.960
J	0.240	4.082	0.880	J	0.240	5.122	0.960
K	0.880	4.482	0.480	K	0.960	5.604	0.400
L	0.880	4.082	0.240	L	0.960	4.962	0.240
M	0.880	5.284	0.880	M	0.960	6.244	0.960
N	0.880	4.482	0.880	N	0.960	5.446	0.960
O	0.720	4.722	0.720	O	0.800	5.684	0.800
P	0.880	4.482	0.720	P	0.960	5.446	0.240
Q	0.720	4.722	0.720	Q	0.800	5.684	0.800
R	0.880	4.482	0.480	R	0.960	5.446	0.400
S	0.480	4.482	0.480	S	0.400	5.446	0.400
T	0.240	4.082	0.240	T	0.240	4.962	0.240
U	0.880	4.482	0.880	U	0.960	5.446	0.960
V	0.240	4.962	0.240	V	0.240	6.084	0.240
W	0.240	6.084	0.240	W	0.240	7.124	0.240
X	0.240	4.722	0.240	X	0.400	5.446	0.400
Y	0.240	5.122	0.240	Y	0.240	6.884	0.240
Z	0.480	4.482	0.480	Z	0.400	5.446	0.400
a	0.320	3.842	0.640	a	0.400	4.562	0.720
b	0.720	4.082	0.480	b	0.800	4.802	0.480
c	0.480	4.002	0.240	c	0.480	4.722	0.240
d	0.480	4.082	0.720	d	0.480	4.802	0.800
e	0.480	4.082	0.320	e	0.480	4.722	0.320
f	0.320	2.480	0.160	f	0.320	2.882	0.160
g	0.480	4.082	0.720	g	0.480	4.802	0.800
h	0.720	4.082	0.640	h	0.800	4.722	0.720
i	0.720	1.120	0.720	i	0.800	1.280	0.800
j	0.000	2.320	0.720	j	0.000	2.642	0.800
k	0.720	4.322	0.160	k	0.800	5.122	0.160
l	0.720	1.120	0.720	l	0.800	1.280	0.800
m	0.720	6.724	0.640	m	0.800	7.926	0.720
n	0.720	4.082	0.640	n	0.800	4.722	0.720
o	0.480	4.082	0.480	o	0.480	4.882	0.480
p	0.720	4.082	0.480	p	0.800	4.802	0.480
q	0.480	4.082	0.720	q	0.480	4.802	0.800
r	0.720	2.642	0.160	r	0.800	3.042	0.160
s	0.320	3.362	0.240	s	0.320	3.762	0.240
t	0.080	2.882	0.080	t	0.080	3.202	0.080
u	0.640	4.082	0.720	u	0.720	4.722	0.800
v	0.160	4.722	0.160	v	0.160	5.684	0.160
w	0.160	7.524	0.160	w	0.160	9.046	0.160
x	0.000	5.202	0.000	x	0.000	6.244	0.000
y	0.160	4.962	0.160	y	0.160	6.004	0.160
z	0.240	3.362	0.240	z	0.240	4.002	0.240
1	0.720	1.680	0.880	1	0.800	2.000	0.960
2	0.480	4.482	0.480	2	0.800	5.446	0.800
3	0.480	4.482	0.480	3	1.440	5.446	0.800
4	0.240	4.962	0.720	4	0.160	6.004	0.960
5	0.480	4.482	0.480	5	0.800	5.446	0.800
6	0.720	4.482	0.720	6	0.800	5.446	0.800
7	0.240	4.482	0.720	7	0.560	5.446	0.560
8	0.480	4.482	0.480	8	0.800	5.446	0.800
9	0.480	4.482	0.480	9	0.800	5.446	0.800
0	0.720	4.722	0.720	0	0.800	5.684	0.800
-	0.240	2.802	0.240	-	0.240	2.802	0.240

**MOUNTING LOCATION**



**SUPPORTING CHANNELS**

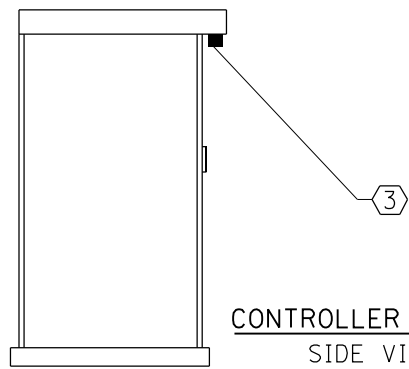




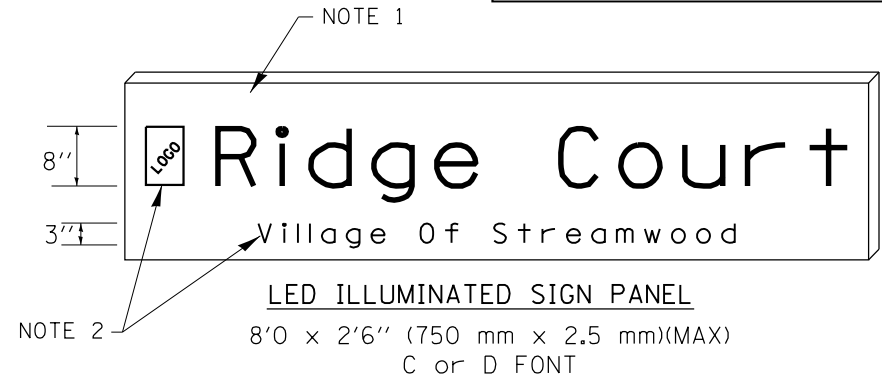
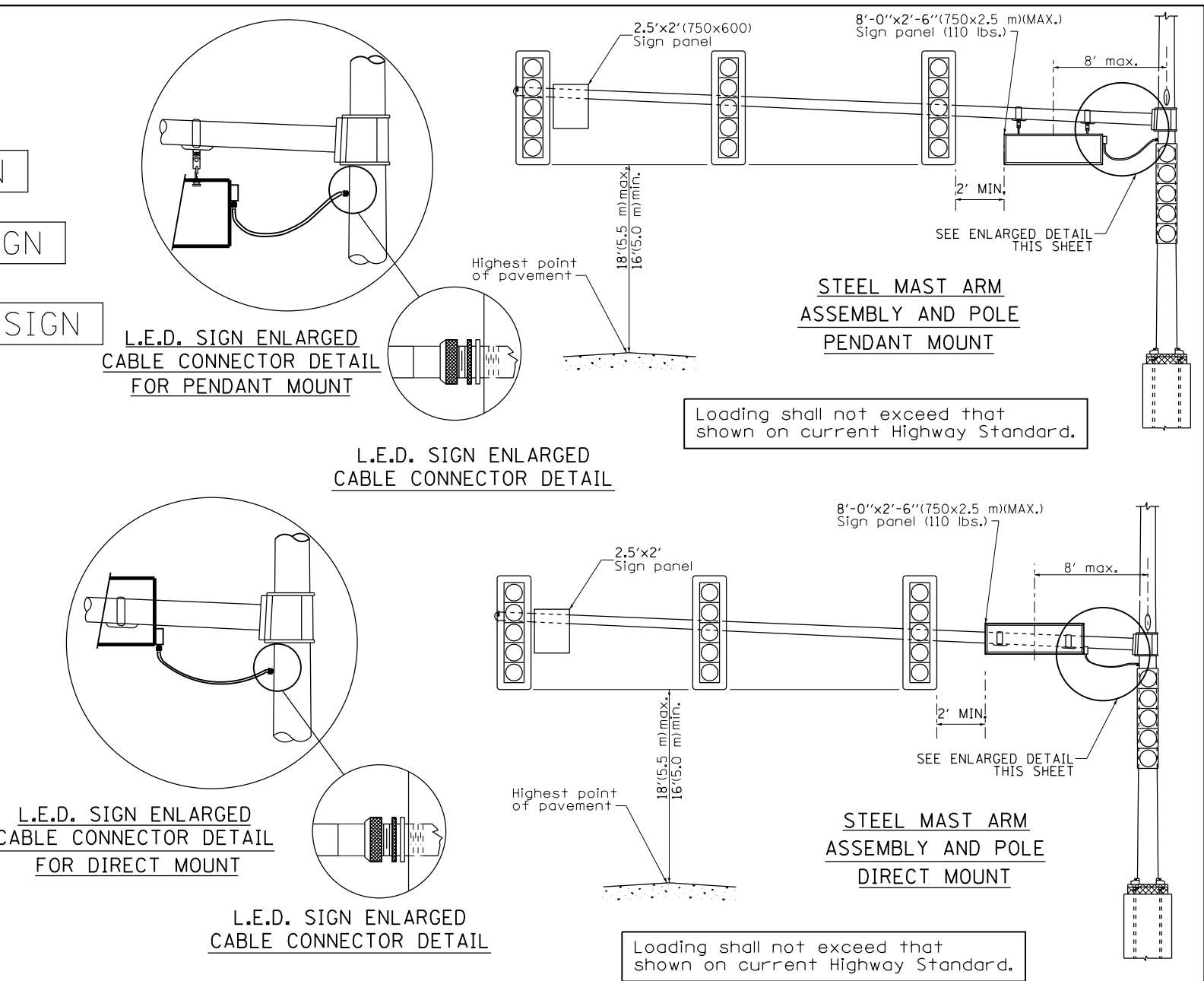
LED SIGN WIRING DETAIL

BILL OF MATERIALS

DESCRIPTION	MANUFACTURER	MODEL	NOTES
① CIRCUIT BREAKER		15 AMPERE	Molded case, Thermal Mag. min. R.I. of 14K R.M.S. symmetrical ampere at 277V.
② TERMINAL BLOCK	MARATHON	1502 DJSV	
③ PHOTO ELECTRIC CONTROL	FISHER PIERCE	B124-1.5-07762	
④ CONTROL RELAY	SQUARE D	8501X020V02	BOLT ON W/SCREW TERMINAL
⑤ INLINE FUSE HOLDER WITH 5 AMP FUSE	BUSSMAN	S-8000 BK/S-8-3-4-R	
⑥ ELECTRIC CABLE, NO. 14, 3/C (BLACK, WHITE, GREEN)	CAROLPRENE/S00W	02762	
⑦ SIGN MOUNTING HARDWARE	PELCO	Pendant (SE-5015) Direct mount (AB-0104-L-SP) Additional sign stiffeners may be required for direct mounted signs.	S.S. HARDWARE



CONTROLLER CABINET SIDE VIEW



LED ILLUMINATED SIGN PANEL  
8'0 x 2'6" (750 mm x 2.5 mm)(MAX)  
C or D FONT

NOTES:

- SIGNS SHALL BE SINGLE SIDED FOR DIRECT MOUNT AND DOUBLE SIDED FOR PENDANT MOUNT.
- CERTAIN ADDITIONAL INFORMATION MAY BE ALLOWED ON THE SIGN. VERIFY WITH ENGINEER.
- SIGNS SHALL NOT BE ENERGIZED WHEN TRAFFIC SIGNALS ARE POWERED BY THE UPS, THE SIGNS SHALL BE CONNECTED TO THE UPS BYPASS CIRCUITRY.
- ALL WIRING WITHIN THE CABINET SHALL BE COLOR CODED AS INDICATED:  
R = RED      BL = BLUE      W = WHITE  
B = BLACK      Y = YELLOW      G = GREEN
- ALL 120 VOLT SYSTEM AND ALL CONTROL WIRING SHALL BE #12AWG STRANDED UNLESS OTHERWISE INDICATED.
- ALL WIRING SHALL BE NEATLY DRESSED AND SUPPORTED.

TS SHT NO. 09

SIGNAL HEAD, 1-FACE, 1-SECTION  
THE BOTTOM OF THE HOUSING SHALL  
BE NOT LESS THAN 12" (305mm) NOR  
MORE THAN 24" (610mm) ABOVE THE  
TOP OF THE SIGN.

4" (102 mm) X 6" (152 mm)  
WOOD POST AND SIGN

7' (2.134m) MIN. URBAN  
5' (1.524m) MIN. RURAL

EDGE OF PAVEMENT

1/2" (38mm) G.S. CONDUIT. FIVE  
EVENLY SPACED CONDUIT  
CLAMPS SHALL BE USED TO  
ATTACH CONDUIT TO POST

1/2" (38mm) DRILLED HOLE CENTERED  
AT 18" (457mm) FROM GROUND LEVEL

1/2" (38mm) DRILLED HOLE CENTERED  
AT 4" (102mm) FROM GROUND LEVEL

30" (76mm) MIN.

CONDUIT CLAMP

**POST MOUNTED FLASHING BEACON**

SOLAR FLASHING  
BEACON, BATTERY AND  
ELECTRONICS

4" (100mm) X 6" (150mm)  
WOOD POST

ADVANCE WARNING  
SIGN, 48"X48"

\* 12' (3.7 m) MIN. TO  
EDGE OF PAVEMENT  
6' (1.8 m) MIN. TO  
EDGE OF SHOULDER

\* 24" (600 mm)  
MIN.

Sample Rd

ADVANCE STREET NAME PLAQUE  
SIGN, W16-8P, VARIES"x12",  
DESIGN SERIES "C"  
(OPTIONAL)

\* 7' (2.1 m) MIN. URBAN  
5' (1.5 m) MIN. RURAL

1.5" (38 mm) DRILLED HOLE CENTERED  
AT 18" (457 mm) AND 4" (102 mm) FROM  
GROUND LEVEL

\* REFER TO HWY STANDARD 720006  
FOR MORE DETAILS

**SOLAR POWERED FLASHING BEACON**

FILE NAME =	USER NAME = leysa	DESIGNED - TRF	REVISED - 01-01-2007
et:\pw\work\p1dot\leysa\d0289329\DistStd.dgn		DRAWN - LP	REVISED - 07-01-2015
Default	PLOT SCALE = 100.0000' / 1in.	CHECKED -	REVISED -
	PLOT DATE = 3/30/2016	DATE -	REVISED -

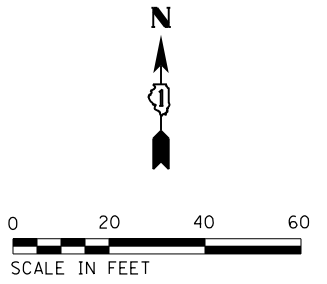
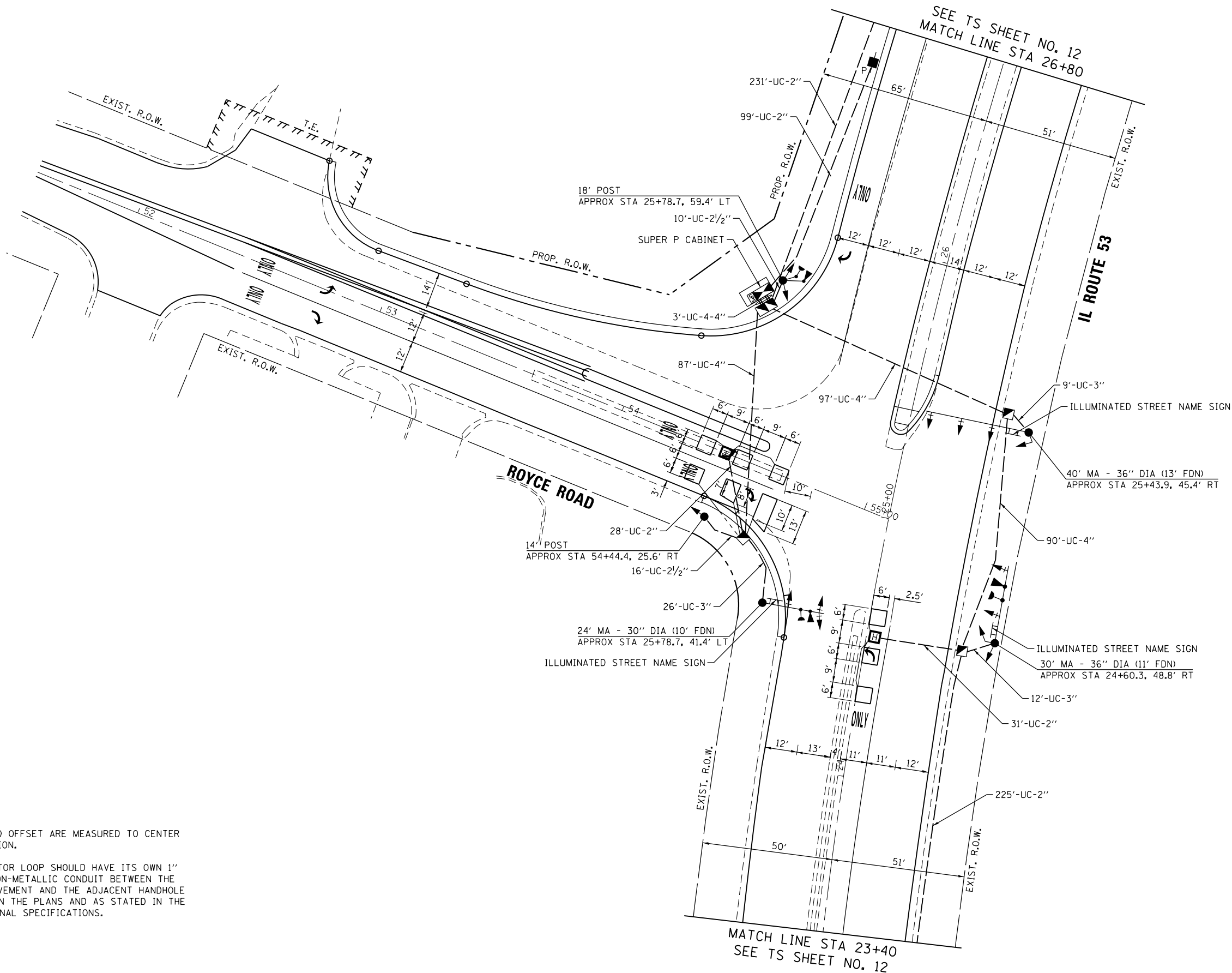
**STATE OF ILLINOIS  
DEPARTMENT OF TRANSPORTATION**

**DISTRICT ONE  
FLASHING BEACON INSTALLATION DETAILS**

SCALE: NTS SHEET 2 OF 2 SHEETS STA. TO STA.

F.A.P. RTE.	SECTION	COUNTY	TOTAL SHEETS	SHEET NO.
870	534-1-N	WILL	62	34
<b>TS-04</b>		<b>CONTRACT NO. 60X59</b>		
ILLINOIS FED. AID PROJECT				

TS SHT NO. 11



**NOTES:**

1. STATION AND OFFSET ARE MEASURED TO CENTER OF FOUNDATION.
2. EACH DETECTOR LOOP SHOULD HAVE ITS OWN 1" COILABLE NON-METALLIC CONDUIT BETWEEN THE EDGE OF PAVEMENT AND THE ADJACENT HANDHOLE AS SHOWN ON THE PLANS AND AS STATED IN THE TRAFFIC SIGNAL SPECIFICATIONS.



USER NAME = l1eyso  
 FILE NAME = P114312-sht-ts-signals-01.dgn  
 PLOT SCALE = 40.0000' / in.  
 PLOT DATE = 3/30/2016

DESIGNED - EP  
 DRAWN - SVJ  
 CHECKED - BKS  
 DATE - 12/04/2015

REVISED -  
 REVISED -  
 REVISED -  
 REVISED -

STATE OF ILLINOIS  
 DEPARTMENT OF TRANSPORTATION

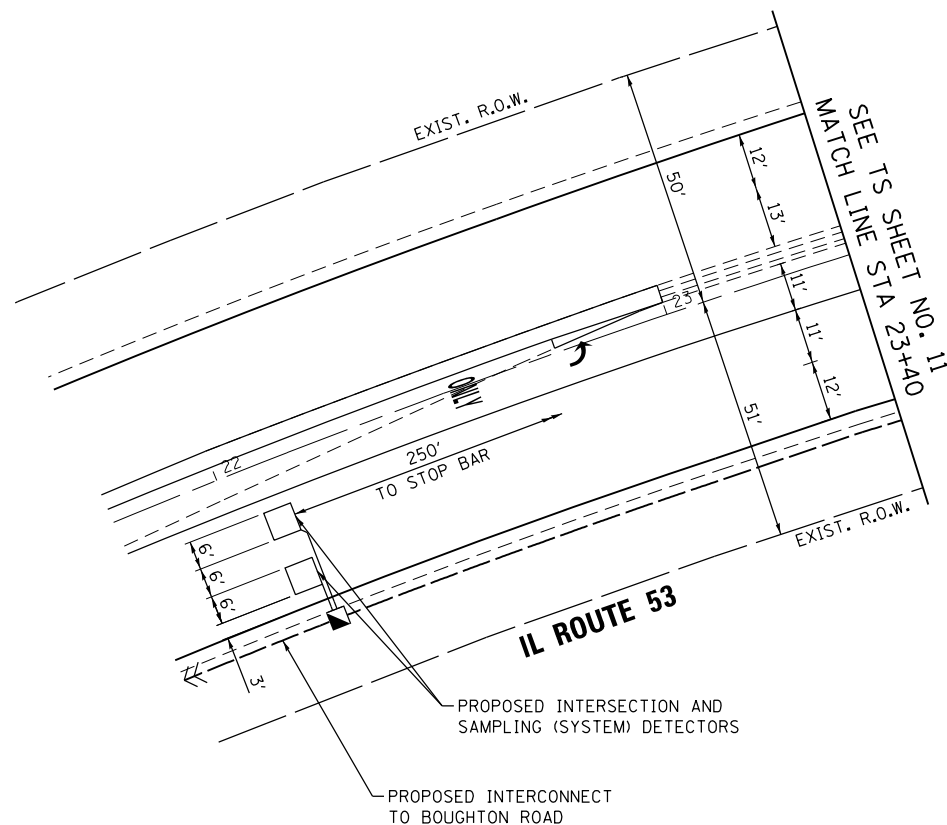
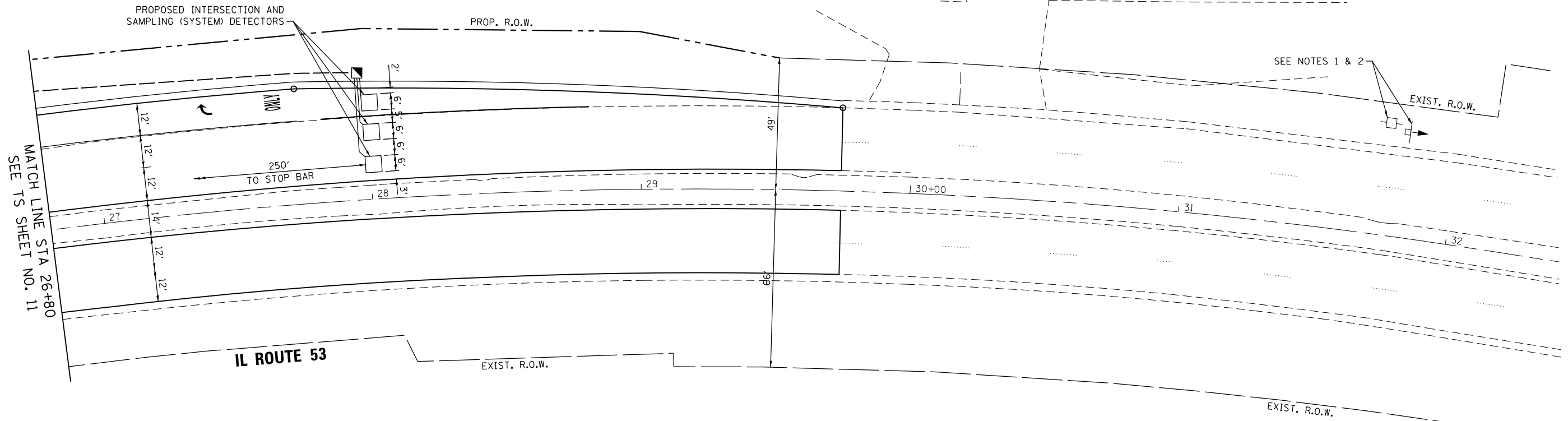
PROPOSED TRAFFIC SIGNAL PLAN  
 IL ROUTE 53 AT ROYCE ROAD

SCALE: 1" = 20' SHEET OF SHEETS STA. TO STA.

F.A.P. RTE.	SECTION	COUNTY	TOTAL SHEETS	SHEET NO.
870	534-1 N	WILL	62	35
CONTRACT NO. 60X59				
ILLINOIS FED. AID PROJECT				

TS 6243  
 ECON 68

TS SHT NO. 12



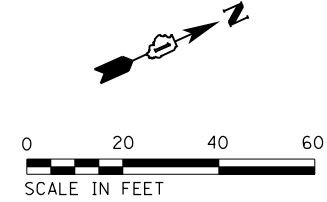
**REMOVAL NOTES**

THE FOLLOWING ITEMS SHALL BE REMOVED BY THE CONTRACTOR AND SHALL BE DISPOSED OF BY THEM OUTSIDE THE RIGHT-OF-WAY AT THEIR EXPENSE. THE SALVAGE VALUE OF THE REMOVED EQUIPMENT SHALL BE REFLECTED IN THE CONTRACTOR'S BID PRICE.

- 1 EACH FLASHING BEACON (COMPLETE)
- 1 EACH SERVICE INSTALLATION

**NOTES**

1. REMOVE EXISTING FLASHING BEACON (COMPLETE) AND RESPECTIVE SERVICE INSTALLATION, PAID FOR AS REMOVE EXISTING TRAFFIC SIGNAL EQUIPMENT. INSTALL NEW SOLAR-POWERED FLASHING BEACON (YELLOW INDICATION).
2. REFER TO SIGNING PLAN FOR SIGN PANEL AND SUPPORT IMPROVEMENT.



**TS 6243  
ECON 68**



USER NAME = l1eyso	DESIGNED - EP	REVISED -
FILE NAME = P114312-sht-ts-signals-02.dgn	DRAWN - SVJ	REVISED -
PLOT SCALE = 40.0000' / in.	CHECKED - BKS	REVISED -
PLOT DATE = 3/30/2016	DATE - 12/04/2015	REVISED -

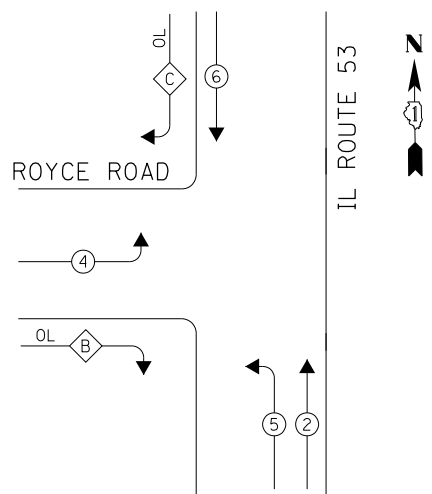
**STATE OF ILLINOIS  
DEPARTMENT OF TRANSPORTATION**

<b>PROPOSED TRAFFIC SIGNAL PLAN</b>			
<b>IL ROUTE 53 AT ROYCE ROAD</b>			
SCALE: 1" = 20'	SHEET	OF SHEETS	STA. TO STA.

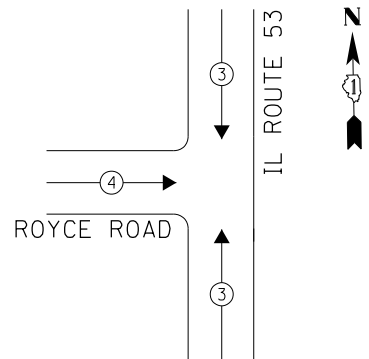
F.A.P. RTE.	SECTION	COUNTY	TOTAL SHEETS	SHEET NO.
870	534-1 N	WILL	62	36
CONTRACT NO. 60X59				
ILLINOIS FED. AID PROJECT				



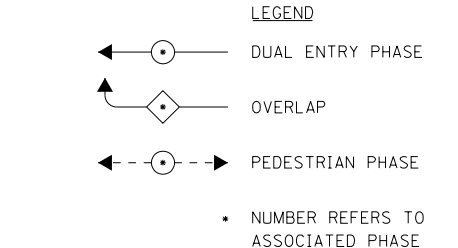
EXISTING CONTROLLER SEQUENCE



PHASE DESIGNATION DIAGRAM

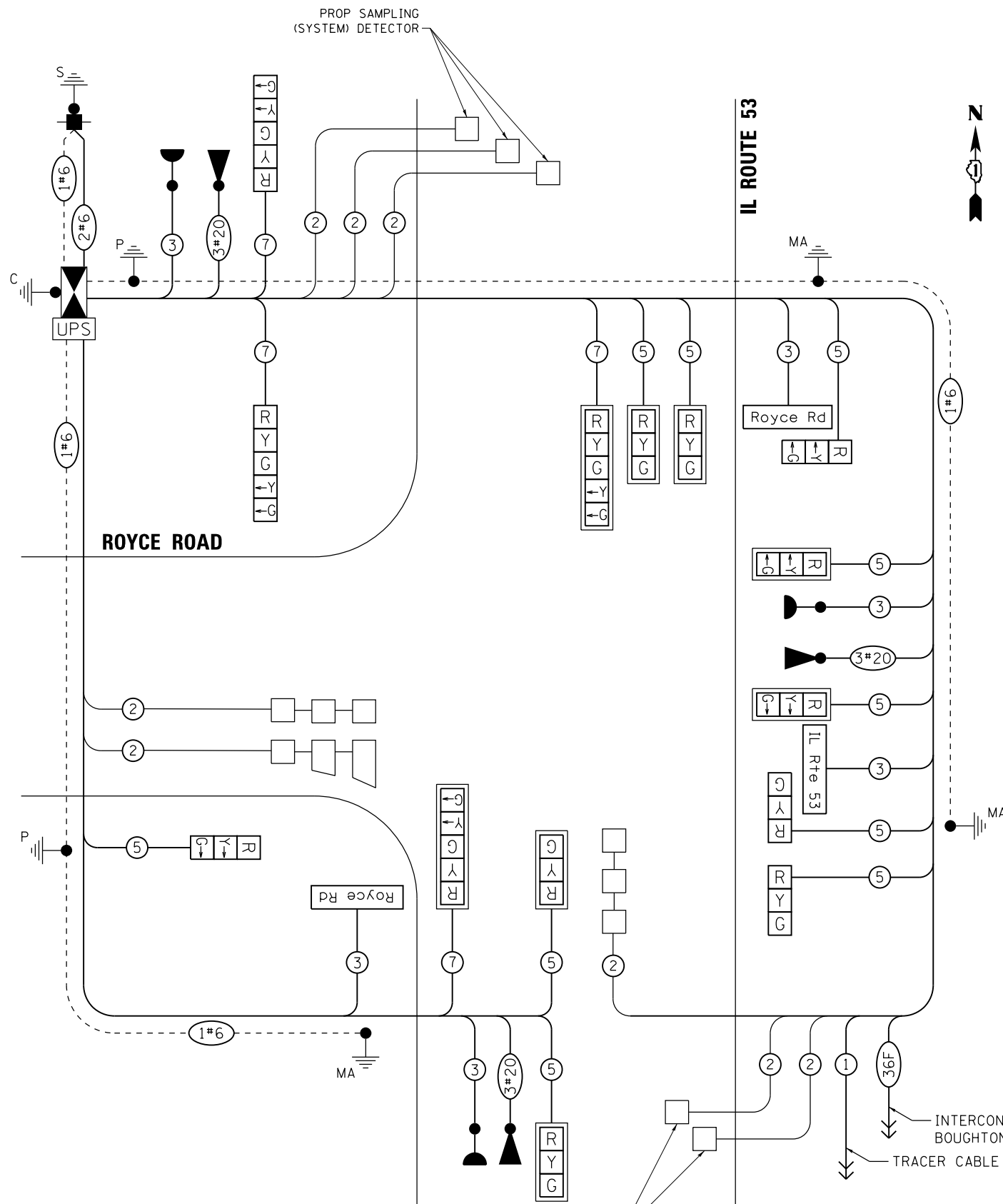


EXISTING EMERGENCY VEHICLE PREEMPTION SEQUENCE



RIGHT TURN OVERLAP PHASE DESIGNATION

OVERLAP LETTER	PERMISSIVE PHASE	PROTECTED PHASE
B =	4 +	5
C =	6 +	4



CABLE PLAN

THE END OF THE TRACER CABLE SHALL BE CONTINUOUS AND EXTEND INTO THE CONTROLLER CABINET.

I. D. O. T.  
TRAFFIC SIGNAL INSTALLATION  
ELECTRICAL SERVICE REQUIREMENTS

TYPE	NO. LAMPS	WATTAGE INCAND.	WATTAGE LED	%OPERATION	TOTAL WATTAGE
SIGNAL (RED)	14	-	17	0.50	1119
(YELLOW)	14	-	25	0.25	87.5
(GREEN)	14	-	15	0.25	52.5
ARROW	8	-	12	0.10	9.6
PED. SIGNAL	-	-	25	1.00	-
CONTROLLER	1	100	-	1.00	100.0
ILLUM. SIGN	3	25	-	0.50	37.5
VIDEO SYSTEM	-	-	-	1.00	-
BATTERY BACKUP	1	25	-	1.00	25.0
LUMINAIRE	-	-	-	0.50	-
FLASHER	-	-	-	0.50	-
TOTAL =					431.1

ENERGY COSTS- BILLED TO: VILLAGE OF BOLINGBROOK  
375 WEST BRIARCLIFF ROAD  
BOLINGBROOK, IL 60440

ENERGY SUPPLY- CONTACT DAVID GARDNER  
PHONE (630) 985-4074  
COMPANY COMMONWEALTH EDISON  
ACCOUNT NUMBER \_\_\_\_\_

TS SHT NO. 13



USER NAME = l1eyso  
FILE NAME = P114312-sht-ts-cablediag.dgn  
PLOT SCALE = 2.0000' / in.  
PLOT DATE = 3/30/2016

DESIGNED - EP  
DRAWN - SVJ  
CHECKED - BKS  
DATE - 12/04/2015

REVISED -  
REVISED -  
REVISED -  
REVISED -

STATE OF ILLINOIS  
DEPARTMENT OF TRANSPORTATION

CABLE PLAN, PHASE DESIGNATION DIAGRAM  
AND EMERGENCY VEHICLE PREEMPTION SEQUENCE  
IL ROUTE 53 AT ROYCE ROAD

SCALE: SHEET OF SHEETS STA. TO STA.

F.A.P. RTE.	SECTION	COUNTY	TOTAL SHEETS	SHEET NO.
870	534-1 N	WILL	62	37
CONTRACT NO. 60X59				
ILLINOIS FED. AID PROJECT				

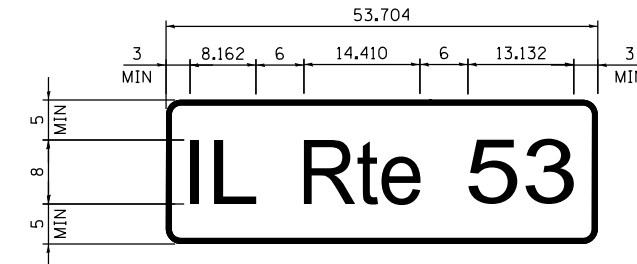
TS 6243  
ECON 68

**SCHEDULE OF QUANTITIES**

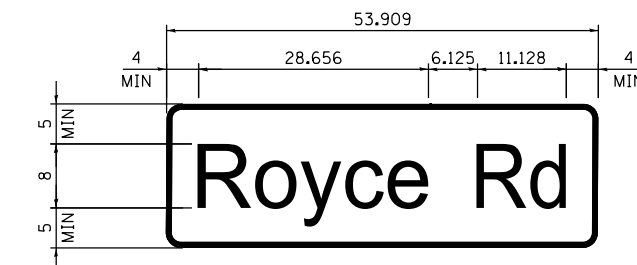
ITEM	UNIT	QUANTITY
SERVICE INSTALLATION - POLE MOUNTED	EACH	1
UNDERGROUND CONDUIT, GALVANIZED STEEL, 2" DIA.	FOOT	614
UNDERGROUND CONDUIT, GALVANIZED STEEL, 2 1/2" DIA.	FOOT	26
UNDERGROUND CONDUIT, GALVANIZED STEEL, 3" DIA.	FOOT	47
UNDERGROUND CONDUIT, GALVANIZED STEEL, 4" DIA.	FOOT	290
HANDHOLE	EACH	5
HEAVY-DUTY HANDHOLE	EACH	2
DOUBLE HANDHOLE	EACH	1
ELECTRIC CABLE IN CONDUIT, LEAD-IN, NO. 14 1 PAIR	FOOT	2210
ELECTRIC CABLE IN CONDUIT, SIGNAL NO. 14 3C	FOOT	1110
ELECTRIC CABLE IN CONDUIT, SIGNAL NO. 14 5C	FOOT	2075
ELECTRIC CABLE IN CONDUIT, SIGNAL NO. 14 7C	FOOT	465
ELECTRIC CABLE IN CONDUIT, SERVICE, NO. 6 2 C	FOOT	120
ELECTRIC CABLE IN CONDUIT, EQUIPMENT GROUNDING CONDUCTOR, NO. 6 1 C	FOOT	460
TRAFFIC SIGNAL POST, GALVANIZED STEEL 14 FT.	EACH	1
TRAFFIC SIGNAL POST, GALVANIZED STEEL 18 FT.	EACH	1
STEEL MAST ARM ASSEMBLY AND POLE, 24 FT.	EACH	1
STEEL MAST ARM ASSEMBLY AND POLE, 30 FT.	EACH	1
STEEL MAST ARM ASSEMBLY AND POLE, 40 FT.	EACH	1
CONCRETE FOUNDATION, TYPE A	FOOT	8
CONCRETE FOUNDATION, TYPE C	FOOT	4
CONCRETE FOUNDATION, TYPE E 30-INCH DIAMETER	FOOT	10
CONCRETE FOUNDATION, TYPE E 36-INCH DIAMETER	FOOT	24
SIGNAL HEAD, LED, 1-FACE, 3-SECTION, MAST-ARM MOUNTED	EACH	6
SIGNAL HEAD, LED, 1-FACE, 5-SECTION, BRACKET MOUNTED	EACH	2
SIGNAL HEAD, LED, 1-FACE, 5-SECTION, MAST-ARM MOUNTED	EACH	2
SIGNAL HEAD, LED, 1-FACE, 3-SECTION, BRACKET MOUNTED	EACH	4
TRAFFIC SIGNAL BACKPLATE, LOUVERED, FORMED PLASTIC	EACH	8
INDUCTIVE LOOP DETECTOR	EACH	8
DETECTOR LOOP, TYPE I	FOOT	504
REMOVE EXISTING TRAFFIC SIGNAL EQUIPMENT	EACH	1
* EMERGENCY VEHICLE PRIORITY SYSTEM LINE SENSOR CABLE, NO. 20 3/C	FOOT	504
FLASHING BEACON, POST MOUNTED, SOLAR POWERED INSTALLATION	EACH	1
* LIGHT DETECTOR	EACH	3
* LIGHT DETECTOR AMP	EACH	1
FULL-ACTUATED CONTROLLER AND TYPE SUPER P CABINET (SPECIAL)	EACH	1
UNINTERRUPTABLE POWER SUPPLY, SPECIAL	EACH	1
* LED INTERALLY ILLUMINATED STREET NAME SIGN	EACH	3

\* 100% COST TO THE VILLAGE OF BOLINGBROOK

**SIGN PANEL**



DESIGN SERIES	SIGN PANEL TYPE	QTY. REQUIRED
D	LED	2



DESIGN SERIES	SIGN PANEL TYPE	QTY. REQUIRED
D	LED	2

**NOTES**

- FOR ADDITIONAL DESIGN AND INSTALLATION INFORMATION PLEASE SEE DISTRICT ONE MAST ARM MOUNTED STREET NAME SIGNS DETAIL AND ILLUMINATED STREET NAME SIGN DETAIL.
- CONTRACTOR SHALL VERIFY ANY ADDITIONAL INFORMATION (SUCH AS VILLAGE LOGO AND/OR NAME) PRIOR TO ORDERING MATERIALS, AS DIRECTED BY THE ENGINEER.

TS SHT NO. 14

TS-6243

ECON 68



USER NAME = lryso  
 FILE NAME = P114312-sht-ts-detail1.SIGNS.dgn  
 PLOT SCALE = 24.0 \* / in.  
 PLOT DATE = 3/30/2016

DESIGNED - EP  
 DRAWN - SVJ  
 CHECKED - BKS  
 DATE - 12/04/2015

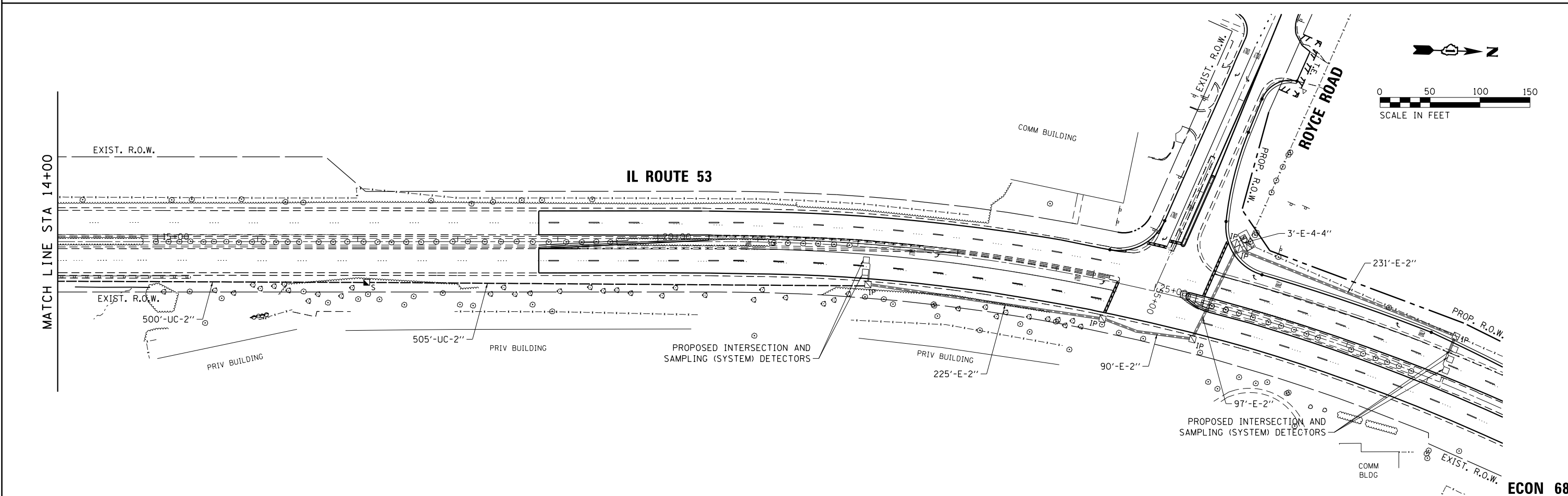
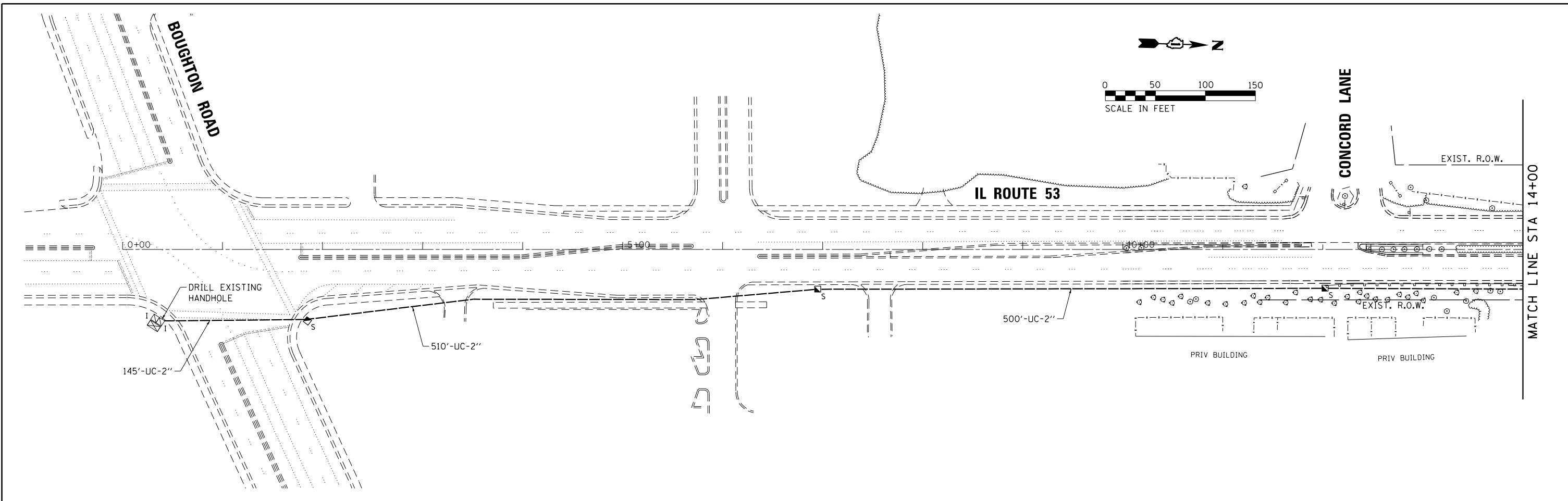
REVISED -  
 REVISED -  
 REVISED -  
 REVISED -

STATE OF ILLINOIS  
 DEPARTMENT OF TRANSPORTATION

MAST ARM MOUNTED STREET NAME SIGNS AND SCHEDULE  
 OF QUANTITIES IL ROUTE 53 AND ROYCE ROAD

SCALE: SHEET OF SHEETS STA. TO STA.

F.A.P. RTE.	SECTION	COUNTY	TOTAL SHEETS	SHEET NO.
870	534-1 N	WILL	62	38
ILLINOIS FED. AID PROJECT			CONTRACT NO. 60X59	



TS SHT NO. 15



USER NAME = SJohnson	DESIGNED - EP	REVISED -
FILE NAME = P114312-sht-ts-interconnect.dgn	DRAWN - SVJ	REVISED -
PLOT SCALE = 100.0000' / 1in.	CHECKED - BKS	REVISED -
PLOT DATE = 2/18/2016	DATE - 12/04/2015	REVISED -

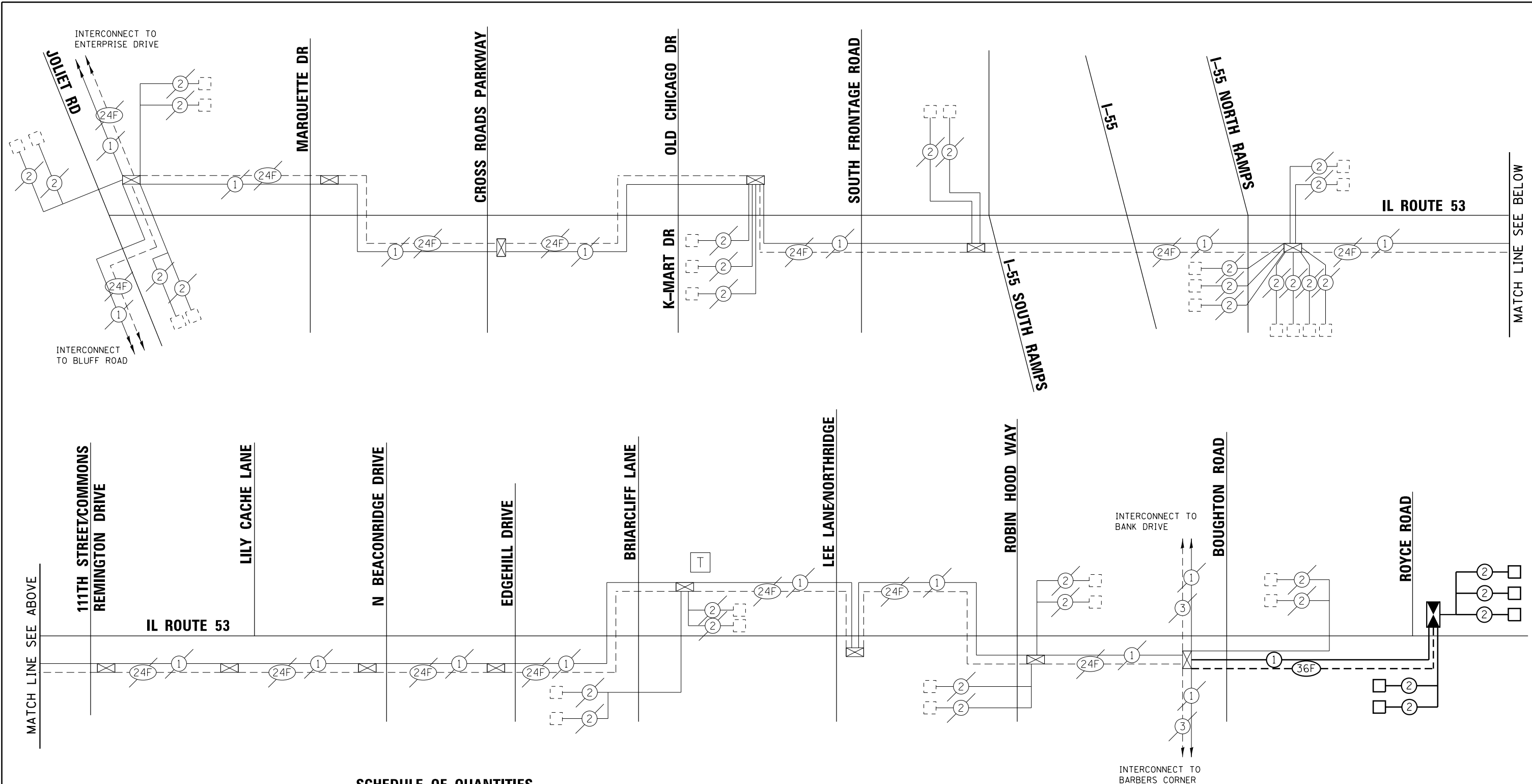
STATE OF ILLINOIS  
DEPARTMENT OF TRANSPORTATION

PROPOSED TRAFFIC SIGNAL INTERCONNECT PLAN  
IL ROUTE 53 FROM BOUGHTON ROAD TO ROYCE ROAD

SCALE: 1" = 50' SHEET OF SHEETS STA. TO STA.

F.A.P. RTE.	SECTION	COUNTY	TOTAL SHEETS	SHEET NO.
870	534-1 N	WILL	62	39
CONTRACT NO. 60X59				
ILLINOIS FED. AID PROJECT				

ECON 68



**SCHEDULE OF QUANTITIES**

ITEM	UNIT	QUANTITY
UNDERGROUND CONDUIT, GALVANIZED STEEL, 2" DIA.	FOOT	2160
HANDHOLE	EACH	4
TRANSCEIVER - FIBER OPTIC	EACH	1
ELECTRIC CABLE IN CONDUIT, TRACER NO. 14 1C	FOOT	2665
DRILL EXISTING HANDHOLE	EACH	1
FIBER OPTIC CABLE IN CONDUIT, NO. 62.5/125, MM12F SM24F	FOOT	2690
RE-OPTIMIZE TRAFFIC SIGNAL SYSTEM LEVEL 2	EACH	1
MAINTENANCE OF EXISTING TRAFFIC SIGNAL INSTALLATION	EACH	1



USER NAME = SE3-102015  
 FILE NAME = P114312-sht-ts-interconn-schematic.dwg  
 PLOT SCALE = 2.0000" / 1" =  
 PLOT DATE = 4/19/2016

DESIGNED - EP  
 DRAWN - SVJ  
 CHECKED - BKS  
 DATE - 04/19/2015

REVISED -  
 REVISED -  
 REVISED -  
 REVISED -

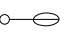
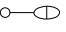


**STATE OF ILLINOIS  
 DEPARTMENT OF TRANSPORTATION**

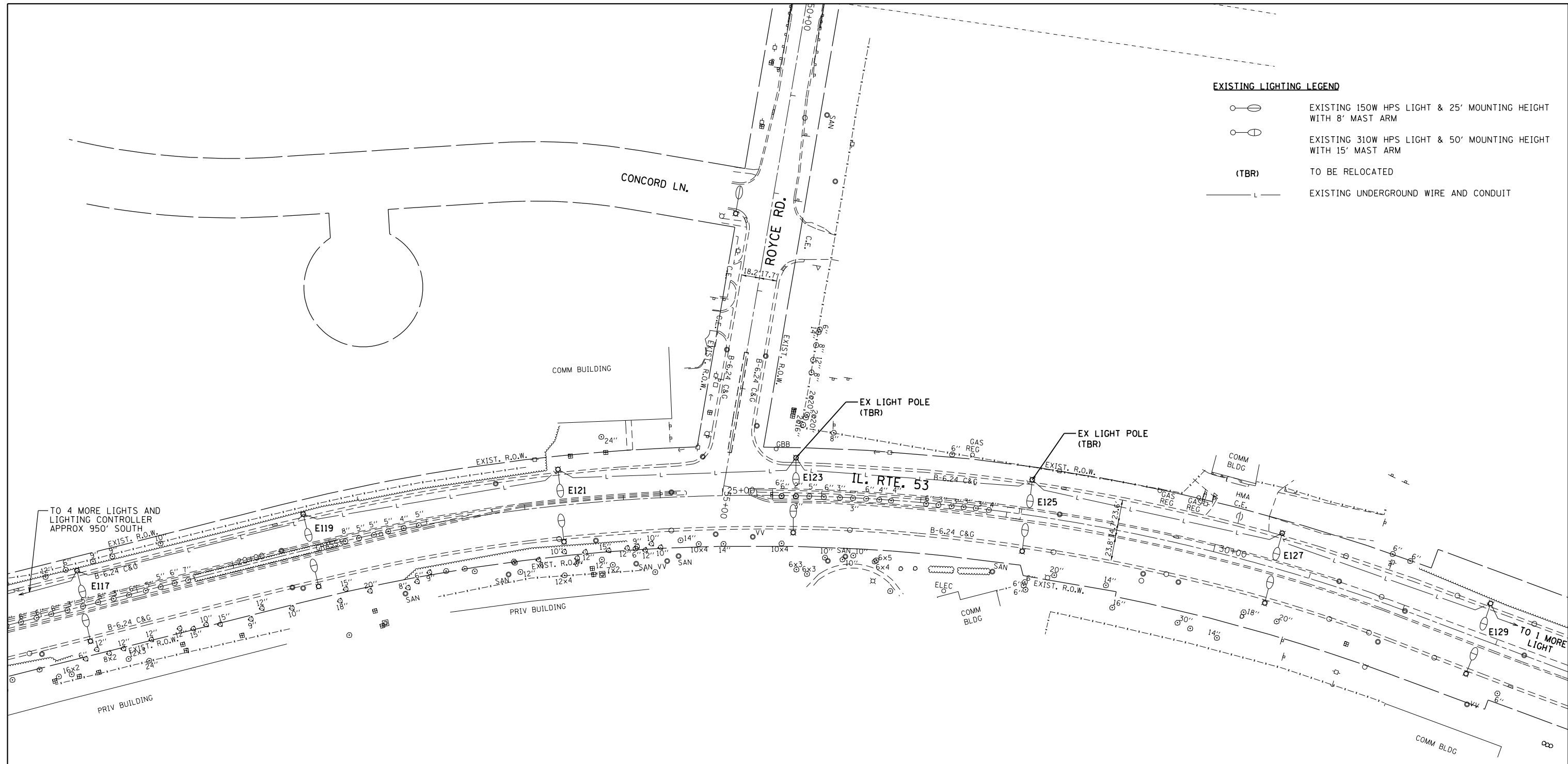
**INTERCONNECT SCHEMATIC  
 IL ROUTE 53 FROM JOLIET ROAD TO ROYCE ROAD**

SCALE: SHEET OF SHEETS STA. TO STA.

F.A.P. RTE.	SECTION	COUNTY	TOTAL SHEETS	SHEET NO.
870	534-1 N	WILL	62	40
CONTRACT NO. 60X59				
ILLINOIS FED. AID PROJECT				

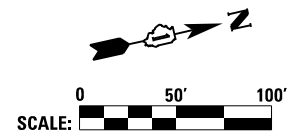
**EXISTING LIGHTING LEGEND**

-  EXISTING 150W HPS LIGHT & 25' MOUNTING HEIGHT WITH 8' MAST ARM
-  EXISTING 310W HPS LIGHT & 50' MOUNTING HEIGHT WITH 15' MAST ARM
-  (TBR) TO BE RELOCATED
-  EXISTING UNDERGROUND WIRE AND CONDUIT



**NOTES:**

1. EXISTING LIGHTS AND POLES ARE OWNED BY THE VILLAGE OF BOLINGBROOK AND SHALL BE CAREFULLY REMOVED FOR REINSTALLATION AS SHOWN ON THE PROPOSED LIGHTING PLAN.
2. THE TWO NEW LIGHTS SHOWN ON THE PROPOSED LIGHTING PLAN WEST OF THE TWO EXISTING LIGHTS E123 AND E125 SHALL BE INSTALLED AND OPERATIONAL BEFORE THE EXISTING LIGHTS ARE REMOVED.
3. REMOVE WIRE AND CONDUIT BETWEEN POLES E121 AND E127 AFTER THE NEW LIGHTS ARE OPERATIONAL.



FILE NAME =	USER NAME = lryso	DESIGNED - FPE	REVISED -
C:\Projects\ABNA\P114312-Existing_01.dgn		DRAWN - TNS	REVISED -
Default	PLOT SCALE = 100.0000' / in.	CHECKED - JON LUER	REVISED -
	PLOT DATE = 3/30/2016	DATE - 3-30-16	REVISED -

**STATE OF ILLINOIS  
DEPARTMENT OF TRANSPORTATION**

**EXISTING LIGHTING PLAN**

SCALE: 1" = 50' SHEET 1 OF 7 SHEETS STA. TO STA.

ABNA PROJECT NO. 16-6206			
F.A.P. RTE. 870 / IL 53	SECTION 534-1-N	COUNTY WILL	TOTAL SHEETS 62 SHEET NO. 41
CONTRACT NO. 60X59			
FED. ROAD DIST. NO. 1 ILLINOIS FED. AID PROJECT			

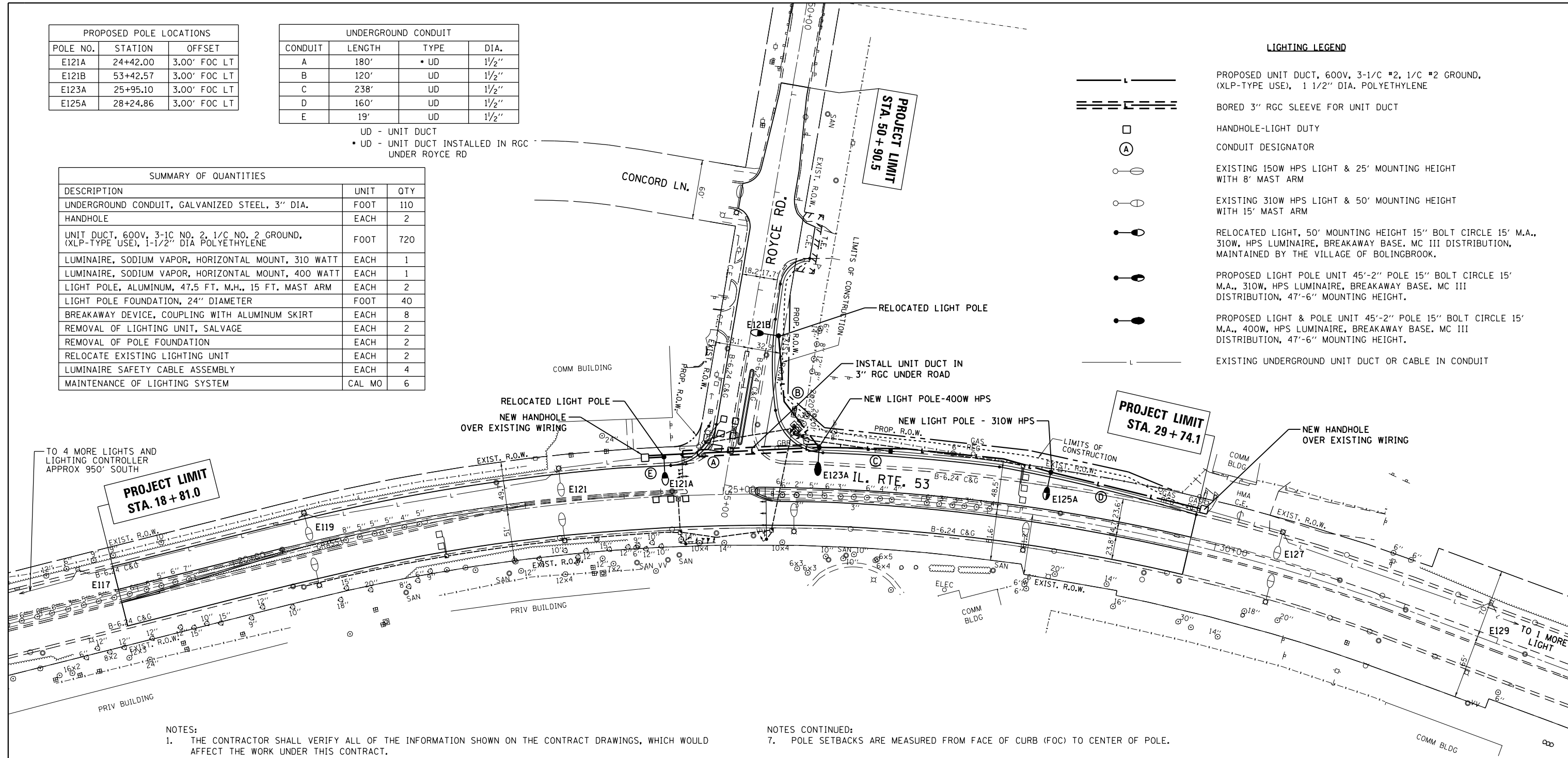
PROPOSED POLE LOCATIONS		
POLE NO.	STATION	OFFSET
E121A	24+42.00	3.00' FOC LT
E121B	53+42.57	3.00' FOC LT
E123A	25+95.10	3.00' FOC LT
E125A	28+24.86	3.00' FOC LT

UNDERGROUND CONDUIT			
CONDUIT	LENGTH	TYPE	DIA.
A	180'	UD	1 1/2"
B	120'	UD	1 1/2"
C	238'	UD	1 1/2"
D	160'	UD	1 1/2"
E	19'	UD	1 1/2"

UD - UNIT DUCT  
 • UD - UNIT DUCT INSTALLED IN RGC UNDER ROYCE RD

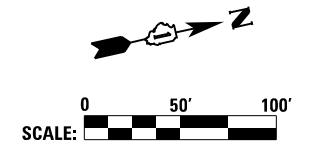
LIGHTING LEGEND	
	PROPOSED UNIT DUCT, 600V, 3-1/C #2, 1/C #2 GROUND, (XLP-TYPE USE), 1 1/2" DIA. POLYETHYLENE
	BORED 3" RGC SLEEVE FOR UNIT DUCT
	HANDHOLE-LIGHT DUTY
	CONDUIT DESIGNATOR
	EXISTING 150W HPS LIGHT & 25' MOUNTING HEIGHT WITH 8' MAST ARM
	EXISTING 310W HPS LIGHT & 50' MOUNTING HEIGHT WITH 15' MAST ARM
	RELOCATED LIGHT, 50' MOUNTING HEIGHT 15" BOLT CIRCLE 15" M.A., 310W, HPS LUMINAIRE, BREAKAWAY BASE. MC III DISTRIBUTION, MAINTAINED BY THE VILLAGE OF BOLINGBROOK.
	PROPOSED LIGHT POLE UNIT 45'-2" POLE 15" BOLT CIRCLE 15" M.A., 310W, HPS LUMINAIRE, BREAKAWAY BASE. MC III DISTRIBUTION, 47'-6" MOUNTING HEIGHT.
	PROPOSED LIGHT & POLE UNIT 45'-2" POLE 15" BOLT CIRCLE 15" M.A., 400W, HPS LUMINAIRE, BREAKAWAY BASE. MC III DISTRIBUTION, 47'-6" MOUNTING HEIGHT.
	EXISTING UNDERGROUND UNIT DUCT OR CABLE IN CONDUIT

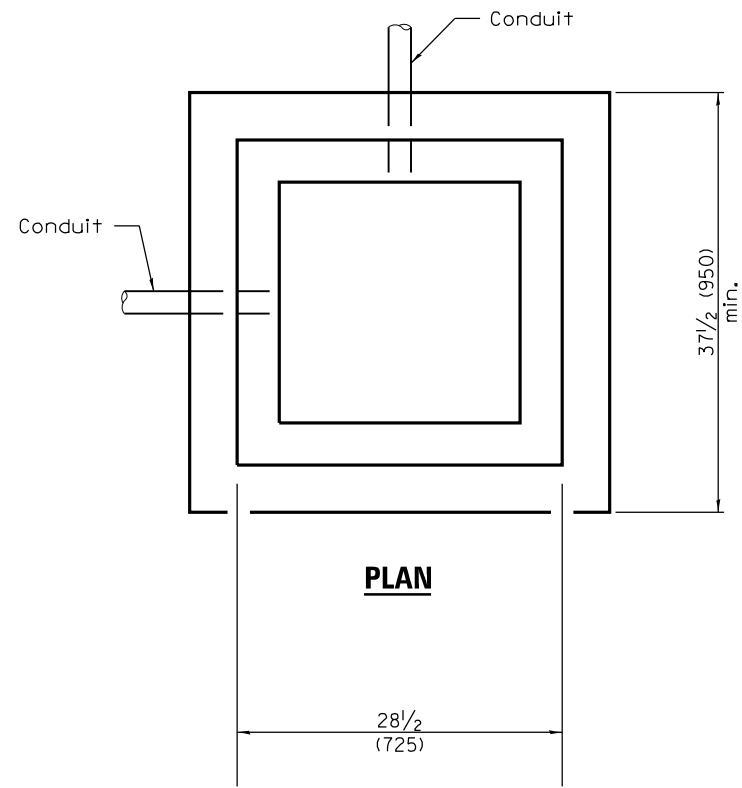
SUMMARY OF QUANTITIES		
DESCRIPTION	UNIT	QTY
UNDERGROUND CONDUIT, GALVANIZED STEEL, 3" DIA.	FOOT	110
HANDHOLE	EACH	2
UNIT DUCT, 600V, 3-1C NO. 2, 1/C NO. 2 GROUND, (XLP-TYPE USE), 1-1/2" DIA POLYETHYLENE	FOOT	720
LUMINAIRE, SODIUM VAPOR, HORIZONTAL MOUNT, 310 WATT	EACH	1
LUMINAIRE, SODIUM VAPOR, HORIZONTAL MOUNT, 400 WATT	EACH	1
LIGHT POLE, ALUMINUM, 47.5 FT. M.H., 15 FT. MAST ARM	EACH	2
LIGHT POLE FOUNDATION, 24" DIAMETER	FOOT	40
BREAKAWAY DEVICE, COUPLING WITH ALUMINUM SKIRT	EACH	8
REMOVAL OF LIGHTING UNIT, SALVAGE	EACH	2
REMOVAL OF POLE FOUNDATION	EACH	2
RELOCATE EXISTING LIGHTING UNIT	EACH	2
LUMINAIRE SAFETY CABLE ASSEMBLY	EACH	4
MAINTENANCE OF LIGHTING SYSTEM	CAL MO	6



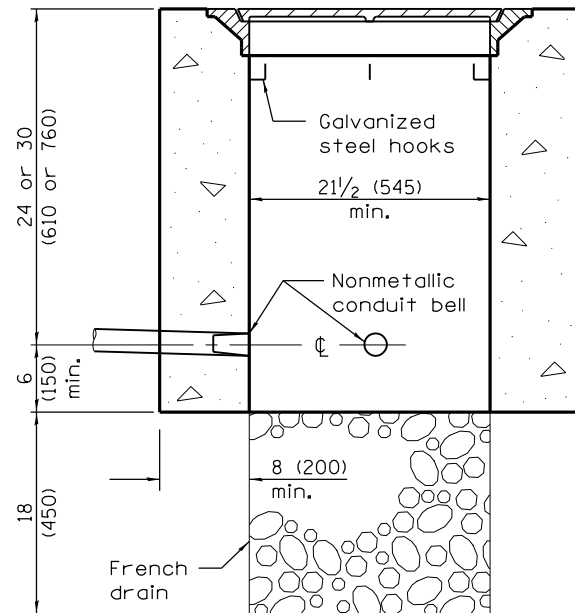
- NOTES:
- THE CONTRACTOR SHALL VERIFY ALL OF THE INFORMATION SHOWN ON THE CONTRACT DRAWINGS, WHICH WOULD AFFECT THE WORK UNDER THIS CONTRACT.
  - IT IS THE RESPONSIBILITY OF THE CONTRACTOR TO ASCERTAIN EXISTING FIELD CONDITIONS BEFORE BIDDING ON THE PROJECT. SPECIFICALLY, AS THEY RELATE TO LUMP SUM ITEMS AND UNIT PRICE ITEMS.
  - ALL NEW CONDUITS, UNIT DUCTS, DIRECT BURIAL CABLES, AND APPURTENANCES ARE INDICATED DIAGRAMMATICALLY ON THE DRAWINGS. THE ACTUAL LOCATIONS IN THE FIELD SHALL MEET THE APPROVAL OF THE ENGINEER.
  - THE ELECTRICAL WORK SHALL BE PERFORMED IN ACCORDANCE WITH THE IDOT STANDARD SPECIFICATIONS FOR ROAD AND BRIDGE CONSTRUCTION AND ASSOCIATED SUPPLEMENTAL SPECIFICATIONS AND RECURRING SPECIAL PROVISIONS (LATEST EDITION).
  - THE CONTRACTOR SHALL INSTALL LUMINAIRE LAMPS IN ACCORDANCE WITH THE SUPPLIER'S RECOMMENDATIONS AND IN ACCORDANCE WITH THE SPECIFICATIONS. THE COST OF THIS WORK AND MATERIAL SHALL BE INCLUDED IN THE APPLICABLE LUMINAIRE PAY ITEMS. SEPARATE PAYMENT WILL NOT BE MADE.
  - CONDUIT DUCTS SHALL BE INSTALLED AT A MINIMUM 30" DEPTH BELOW GRADE AND POSITIONED IN THE FIELD TO AVOID CONFLICT WITH ROADWAY UNDERDRAINS AND OTHER EXISTING AND PROPOSED UTILITIES. THE CONTRACTOR SHALL INCREASE DEPTH OF UNIT DUCT AND CONDUIT AS REQUIRED AT NO ADDITIONAL COST. THE CONTRACTOR SHALL COORDINATE RACEWAY DEPTH WITH THE ELECTRICAL DETAILS AND THE ENGINEER.

- NOTES CONTINUED:
- POLE SETBACKS ARE MEASURED FROM FACE OF CURB (FOC) TO CENTER OF POLE.
  - LIGHTS AT PROPOSED LOCATIONS SHALL BE CONNECTED TO THE EXISTING ELECTRICAL CIRCUIT IN THE NEW HANDHOLES.
  - DIRECTIONAL BORE 3" RGC FOR INSTALLATION OF UNIT DUCT UNDER ROYCE ROAD INSTALL UNIT DUCT BETWEEN NEW HANDHOLE SOUTH OF ROYCE ROAD AND E123A.
  - CONNECT NEW LIGHTS E123A AND E125A AND THE EXISTING LIGHTS NORTH OF E125A BEFORE REMOVING THE EXISTING LIGHTS E123 AND E125 AS INDICATED ON THE EXISTING LIGHTING PLAN. NEW LIGHTS SHALL BE OPERABLE BEFORE REMOVING EXISTING.
  - EXISTING CIRCUITS ARE #2 CONDUCTORS WITH #2 GROUND OPERATING AT 120/240 VOLTS, SINGLE PHASE. FIXTURES ARE CONNECTED LINE TO NEUTRAL.
  - THE NEW POLES AND LUMINAIRE'S SHALL MATCH THE EXISTING.
  - INSTALL LUMINAIRE SAFETY CABLE ASSEMBLIES ON THE NEW AND RELOCATED LUMINAIRES.



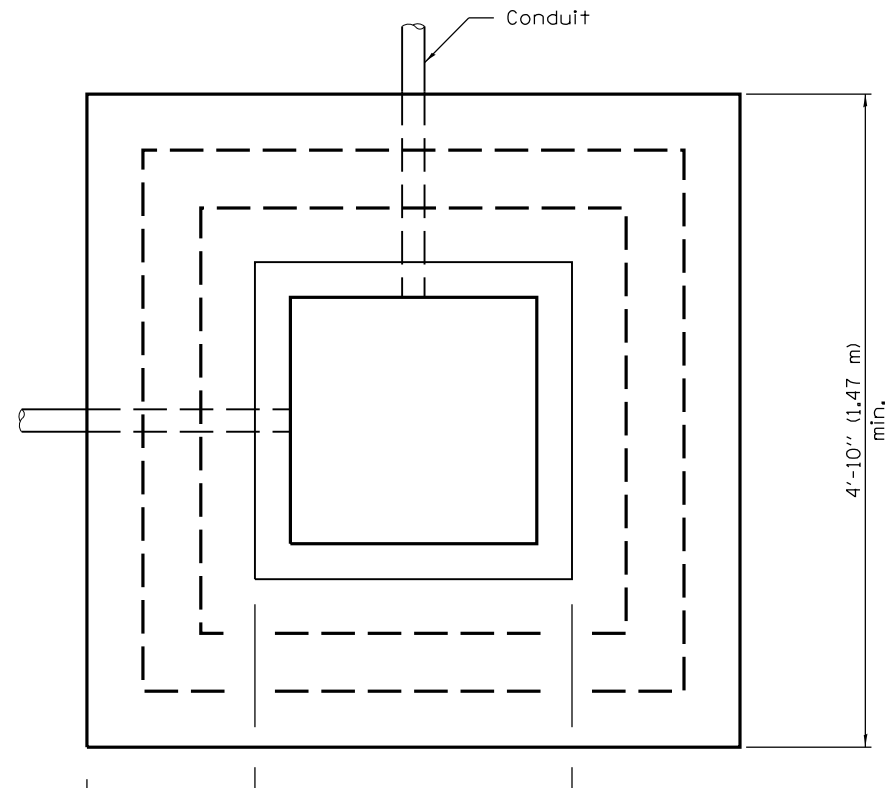


**PLAN**

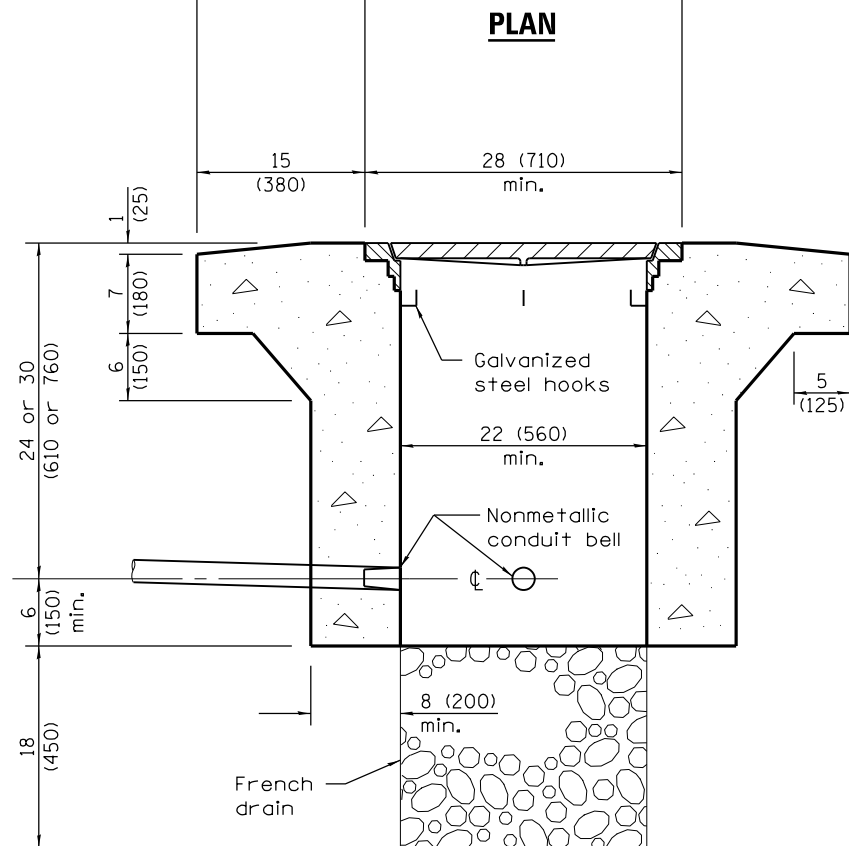


**ELEVATION**

**PORTLAND CEMENT CONCRETE**

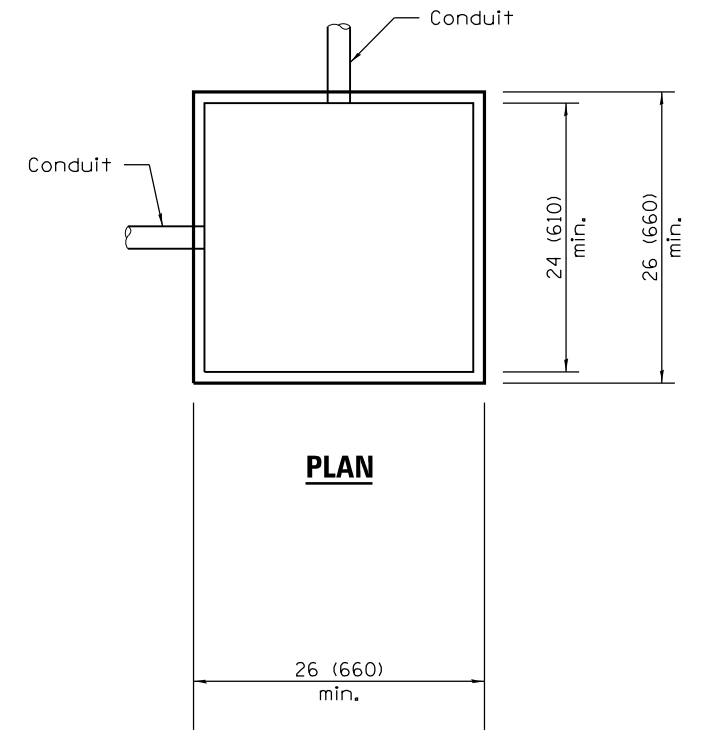


**PLAN**

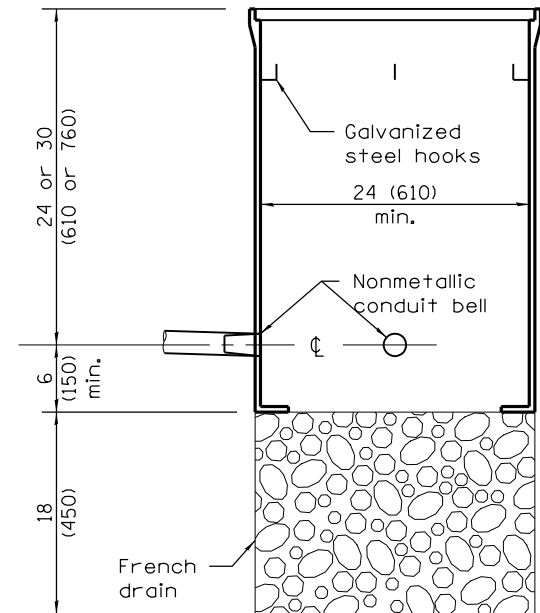


**ELEVATION**

**PORTLAND CEMENT CONCRETE  
HEAVY DUTY**



**PLAN**



**ELEVATION**

**COMPOSITE CONCRETE**

All dimensions are in inches (millimeters) unless otherwise shown.

**QUANTITIES**

Depth	Concrete yd <sup>3</sup> (m <sup>3</sup> )	
	Handhole	Heavy Duty Handhole
30 (762)	0.61 (0.47)	0.98 (0.75)
36 (914)	0.73 (0.56)	1.10 (0.84)

Illinois Department of Transportation

APPROVED January 1, 2015  
*Amy Allen*  
 ENGINEER OF OPERATIONS

APPROVED January 1, 2015  
*[Signature]*  
 ENGINEER OF DESIGN AND ENVIRONMENT

ISSUED 1-1-97

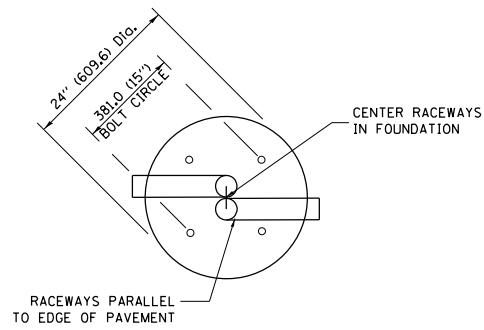
DATE	REVISIONS
1-1-15	Corrected dimension on heavy duty handhole. Added concrete quantities table.
1-1-09	Switched units to English (metric).

**HANDHOLES**

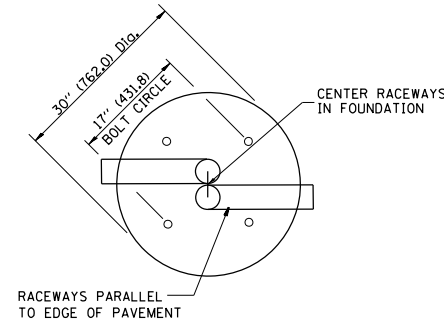
**STANDARD 814001-03**

**LIGHT POLE FOUNDATION DEPTH TABLE**  
**40 FT. (12.192 m) TO 47.5 FT. (14.478 m) MOUNTING HEIGHT**

SOIL CONDITIONS	DESIGN DEPTH "D" OF FOUNDATION	
	SINGLE ARM POLE	TWIN ARM POLE
SOFT CLAY O <sub>u</sub> = 0.375 TON/SQ. FT.	13'-0" (3.96 m)	15'-0" (4.57 m)
MEDIUM CLAY O <sub>u</sub> = 0.75 TON/SQ.FT	9'-6" (2.93 m)	10'-9" (3.23 m)
STIFF CLAY O <sub>u</sub> = 1.50 TON/SQ. FT.	7'-0" (2.13 m)	8'-0" (2.44 m)
LOOSE SAND φ = 34°	9'-0" (2.74 m)	10'-0" (3.05 m)
MEDIUM SAND φ = 37.5°	8'-3" (2.52 m)	9'-0" (2.74 m)
DENSE SAND φ = 40°	7'-9" (2.36 m)	9'-0" (2.74 m)



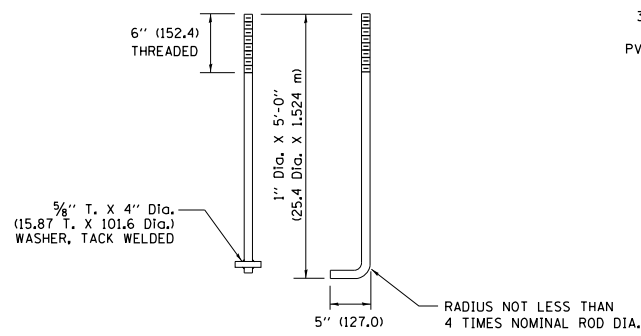
**TOP VIEW**



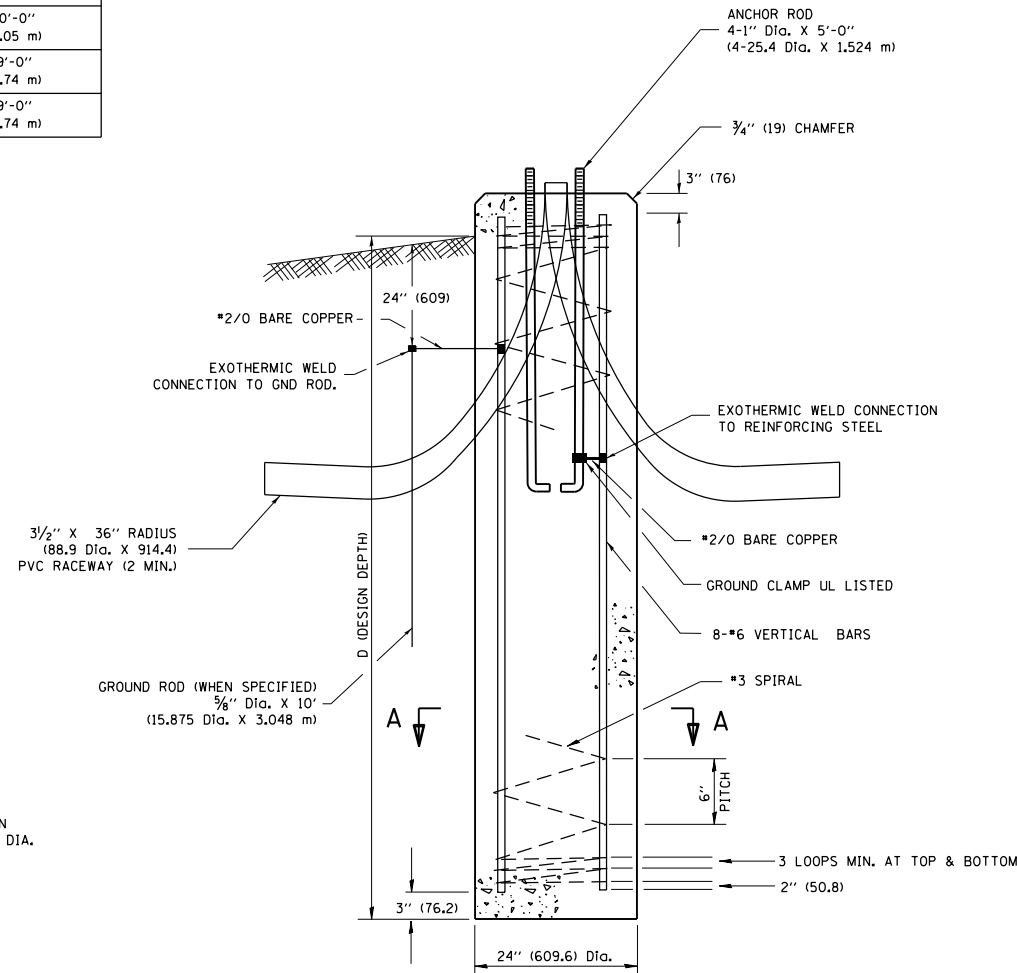
**TOP VIEW**

**NOTES**

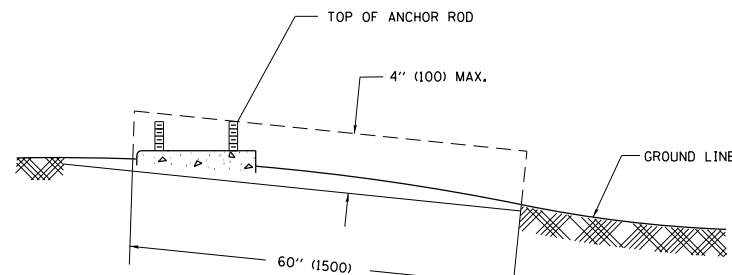
- ALL DIMENSIONS ARE IN INCHES (MILLIMETERS) UNLESS OTHERWISE SHOWN.
- THE ANCHOR RODS AND RACEWAYS SHALL BE PROPERLY SECURED IN PLACE BEFORE THE CONCRETE IS PLACED.
- THE FOUNDATION SHALL NOT PROTRUDE MORE THAN 100MM (4 IN.) ABOVE THE FINISHED GRADE WITHIN A 60 IN. (1.5 m) CHORD ACROSS THE FOUNDATION, WITH ANCHOR RODS INCLUDED, IN ACCORDANCE WITH AASHTO GUIDELINES. IF THE FOUNDATION HEIGHT, INCLUDING ANCHOR RODS, EXTENDS BEYOND THESE SPECIFIED LIMITS, THE FOUNDATION SHALL BE REPLACED AT THE CONTRACTOR'S EXPENSE. SEE FOUNDATION EXTENSION DETAIL.
- THE HOLE FOR THE FOUNDATION SHALL BE MADE BY DRILLING WITH AN AUGER, OF THE SAME DIAMETER AS THE FOUNDATION. IF SOIL CONDITIONS REQUIRE THE USE OF A LINER TO FORM THE HOLE, THE LINER SHALL BE WITHDRAWN AS THE CONCRETE IS DEPOSITED.
- THE TOP OF THE FOUNDATION SHALL BE CONSTRUCTED LEVEL. A LINER OR FORM SHALL BE USED TO PRODUCE A UNIFORM SMOOTH SIDE TO THE TOP OF THE FOUNDATION. FOUNDATION TOP SHALL BE CHAMFERED 3/4-IN. (20 mm).
- THE CONCRETE SHALL BE CLASS SI. CONCRETE SHALL CURE ACCORDING TO ARTICLE 1020.13 BEFORE LIGHT POLES ARE INSTALLED.
- THE ANCHOR ROD SHALL BE A HOOK ROD TYPE. COLD BENDING OF THE ANCHOR ROD WILL NOT BE ALLOWED. THE RADIUS OF THE HOOK BEND SHALL NOT BE LESS THAN 4 TIMES THE NOMINAL DIAMETER OF THE ANCHOR ROD. A TACK WELDED ANCHOR ROD MAY BE SUBSTITUTED WITH THE APPROVAL OF THE ENGINEER.
- THE ANCHOR RODS SHALL BE ACCORDING TO ASTM F1554 GRADE 725 (GRADE 105). NUTS SHALL BE HEXAGON NUTS ACCORDING TO ASTM A 194 2H OR ASTM A 563 DH, AND WASHERS SHALL BE ACCORDING TO ASTM F 436.
- ANCHOR RODS, NUTS AND WASHERS SHALL BE COMPLETELY GALVANIZED BY EITHER THE HOT-DIPPED PROCESS CONFORMING WITH AASHTO M 232, THE MECHANICAL PLATING METHOD CONFORMING TO AASHTO M 298, CLASS 50 WITH A MAXIMUM COATING THICKNESS OF 150 UMG (MILS) OR THE ELECTROLYTIC PROCESS ACCORDING TO ASTM F 1136.
- THE ANCHOR RODS SHALL BE THREADED A MINIMUM OF 6 INCHES (150 mm) WITH A MINIMUM OF 3 INCHES (75 mm) OF THREADED ANCHOR ROD EMBEDDED IN THE FOUNDATION.
- ANCHOR RODS SHALL PROJECT 2 3/4" (69.9 mm) ABOVE THE TOP OF THE FOUNDATION. IF BREAKAWAY COUPLINGS ARE SPECIFIED, THE CONTRACTOR SHALL CAREFULLY COORDINATE THE ANCHOR ROD PROJECTION WITH THE INSTALLATION REQUIREMENTS OF THE BREAKAWAY COUPLINGS.
- THE CONTRACTOR SHALL USE A #3 SPIRAL AT 6" (152.4 mm) PITCH OR MAY SUBSTITUTE #3 TIES AT 12" (304.8 mm) O.C. WITH THE APPROVAL OF THE ENGINEER.
- THE CABLE TRENCHES AND FOUNDATION SHALL BE BACK FILLED AND COMPACTED AS SPECIFIED BEFORE THE LIGHT POLE IS ERECTED.
- THE RACEWAYS SHALL PROJECT 1" (25.4 mm) ABOVE THE TOP OF THE FOUNDATION.



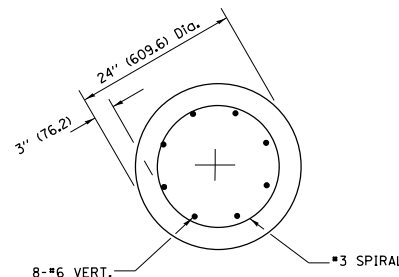
**ANCHOR ROD DETAIL**



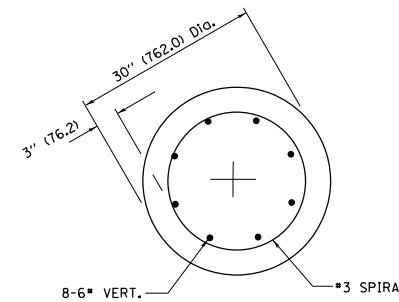
**FOUNDATION DETAIL**



**FOUNDATION EXTENSION DETAIL**



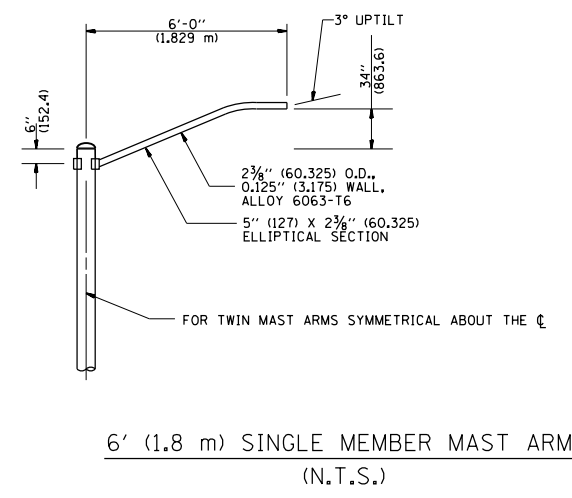
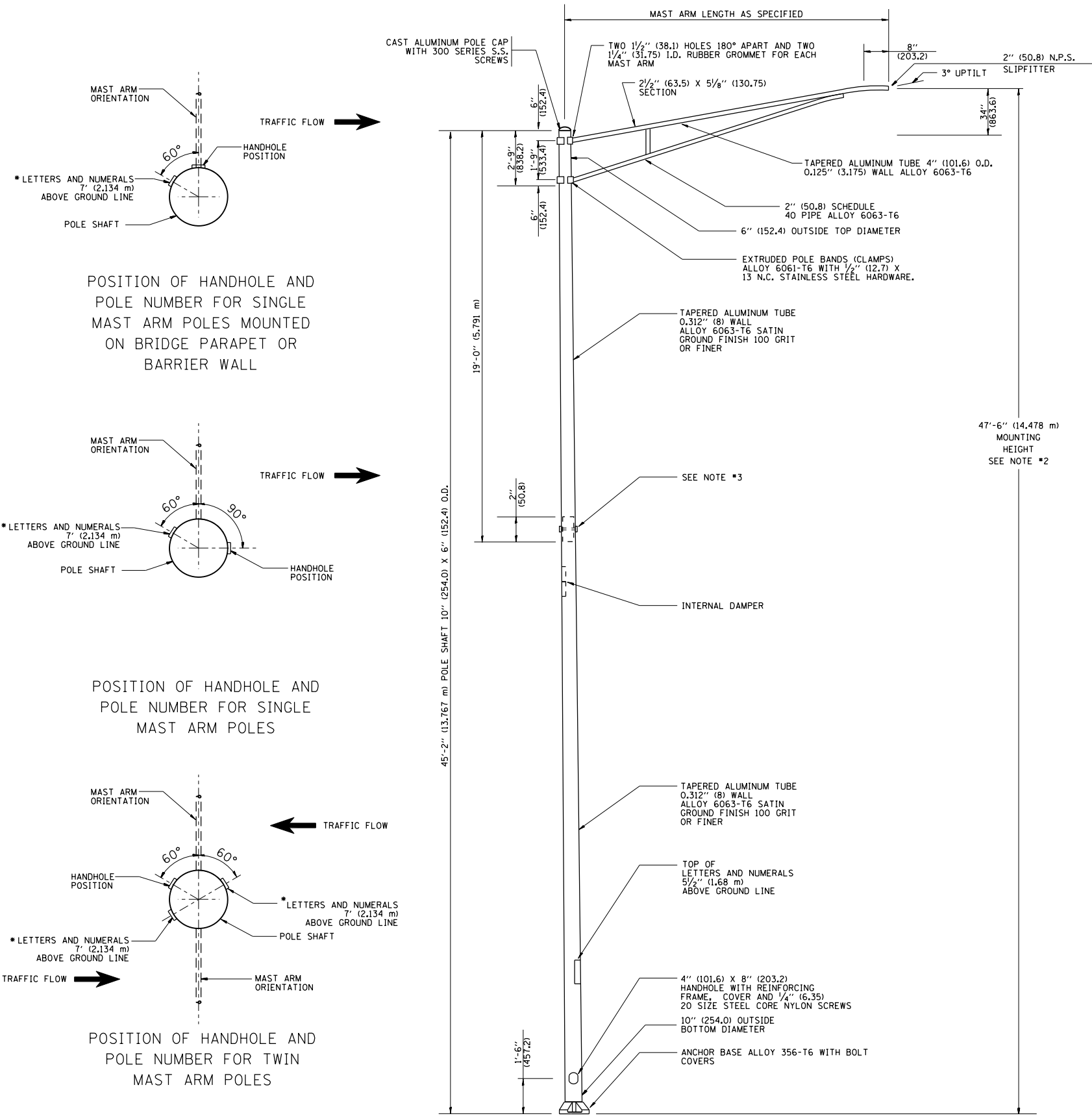
**SECTION A-A**



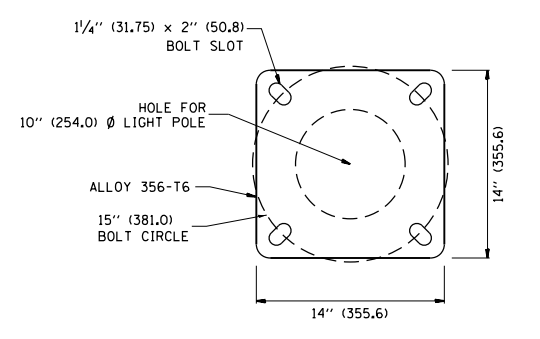
**SECTION A-A**

FILE NAME =	USER NAME = hassann	DESIGNED -	REVISED - 04-22-02	<b>STATE OF ILLINOIS DEPARTMENT OF TRANSPORTATION</b>	<b>LIGHT POLE FOUNDATION</b>			F.A.P. RTE.	SECTION	COUNTY	TOTAL SHEETS	SHEET NO.
pw:\IL\084EBID\INTEG.illinois.gov\PIWIDOT\Documents\DOT Offices\District 1\Projects\PI14\Drawings\Design\DistStd.dgn		CHECKED -	REVISED -		<b>40' (12.192 m) TO 47' 1/2' (14.478 m) M.H. 15" (381 mm) BOLT CIRCLE</b>			870	534-1-N	WILL	62	44
		DATE -	REVISED -		SCALE: NONE	SHEET NO. 1 OF 1 SHEETS	STA. TO STA.	<b>BE-301</b>		<b>CONTRACT NO. 60X59</b>		
					FED. ROAD DIST. NO. 1 ILLINOIS FED. AID PROJECT							

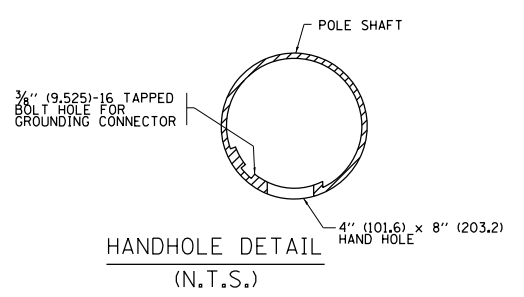




- NOTES:**
1. ALL DIMENSIONS ARE IN INCHES (MILLIMETERS) UNLESS OTHERWISE SHOWN.
  2. MOUNTING HEIGHT IS DEFINED AS THE DISTANCE FROM THE CENTERLINE OF THE TENON TO THE BOTTOM OF THE ANCHOR BASE.
  3. TWO PIECE SHAFT WILL BE MATCHED MARKED AND INTERCHANGEABLE BETWEEN DIFFERENT UNITS. FIELD DRILLING OF THE HOLES WILL NOT BE ALLOWED.
  4. THE LIGHT POLE WILL MEET AASHTO DESIGN CRITERIA AS SPECIFIED.
  5. THE INSTALLING CONTRACTOR WILL PROVIDE A UL LISTED GROUNDING CONNECTOR, BURNDY K2C23, T&B SP4DL OR APPROVED EQUAL.
  6. LIGHT POLES WILL NOT BE INSTALLED WITHOUT MAST ARMS AND LUMINAIRES.
  7. LIGHT POLES WILL BE SET PLUMB ON THE FOUNDATION WITHOUT THE USE OF LEVELING NUTS, WASHERS OR SHIMS.
  8. LIGHTING UNIT IDENTIFICATION NUMBERS SHALL BE INSTALLED BEFORE THE LIGHTING UNIT IS ENERGIZED.



**LIGHT POLE BASE PLATE DETAIL**  
15 INCH (381.0) BOLT CIRCLE



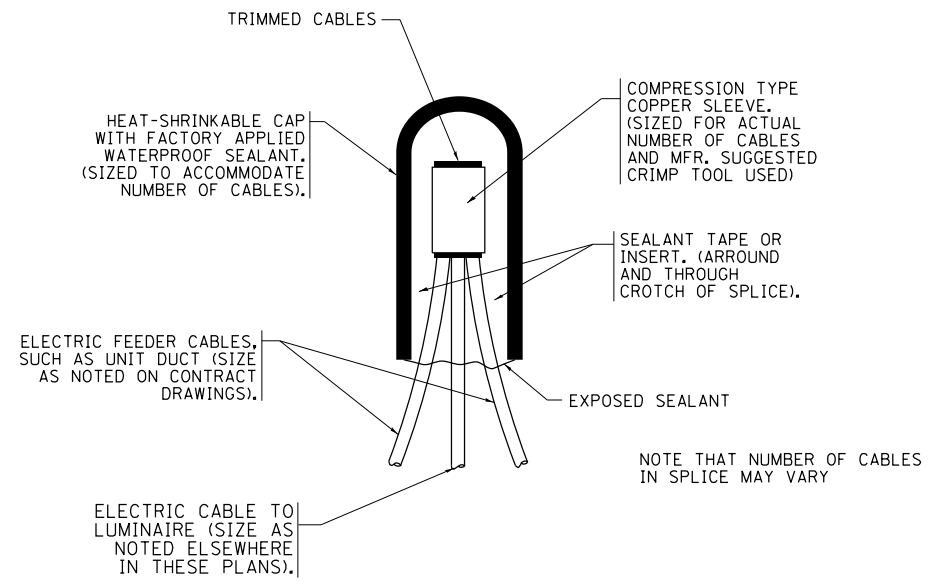
FILE NAME =	USER NAME = hassann	DESIGNED -	REVISED - R. TOMSONS 09-06-00
pw\1\084EBIDINTEG.illinois.gov\PIWIDOT\Documents\DOT Offices\District 1\Projects\PI14	Documents\DOT Offices\District 1\Projects\PI14	DRAWN -	REVISED - R. TOMSONS 09-03-03
PLOT SCALE = 100.0000' / 1"	CHECKED -	REVISED - R. TOMSONS 01-18-13	
PLOT DATE = 3/30/2016	DATE -	REVISED -	

**STATE OF ILLINOIS  
DEPARTMENT OF TRANSPORTATION**

<b>ALUMINUM LIGHT POLE</b>			
<b>47'-6" (14,478 m) MOUNTING HEIGHT</b>			
SCALE: NONE	SHEET NO. 1 OF 1 SHEETS	STA.	TO STA.

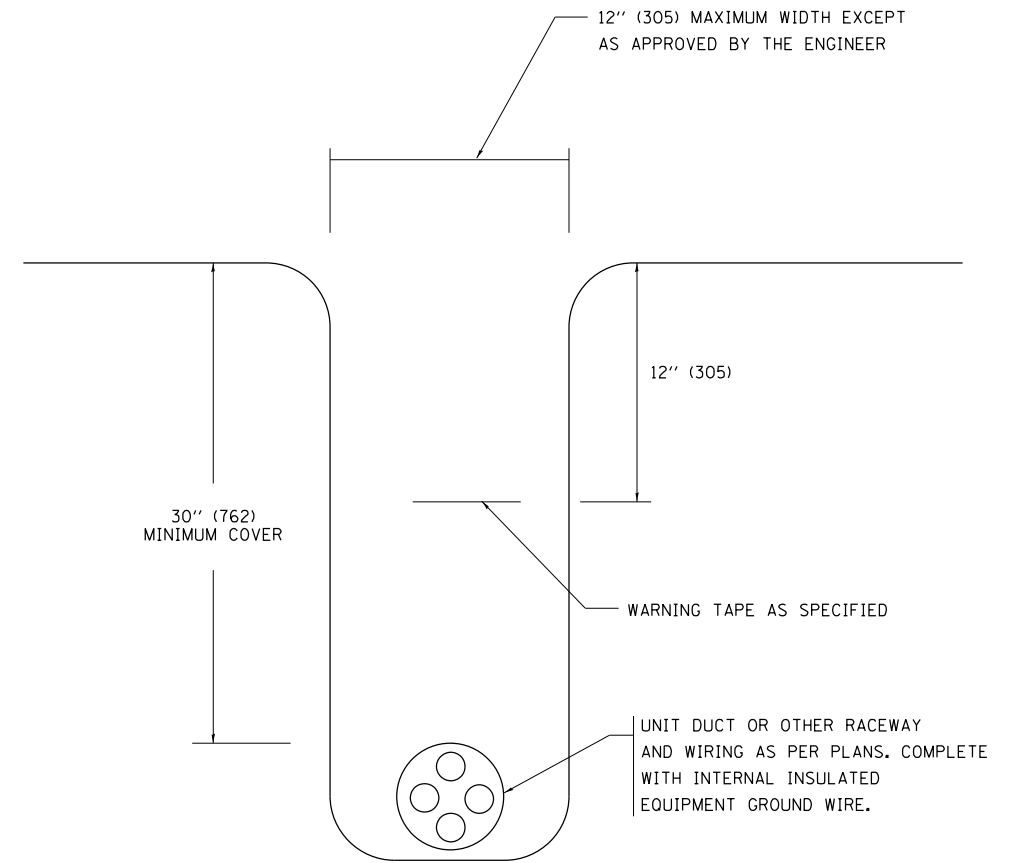
F.A.P. RTE.	SECTION	COUNTY	TOTAL SHEETS	SHEET NO.
870	534-1-N	WILL	62	45
<b>BE-400</b>		<b>CONTRACT NO. 60X59</b>		
FED. ROAD DIST. NO. 1 ILLINOIS FED. AID PROJECT				





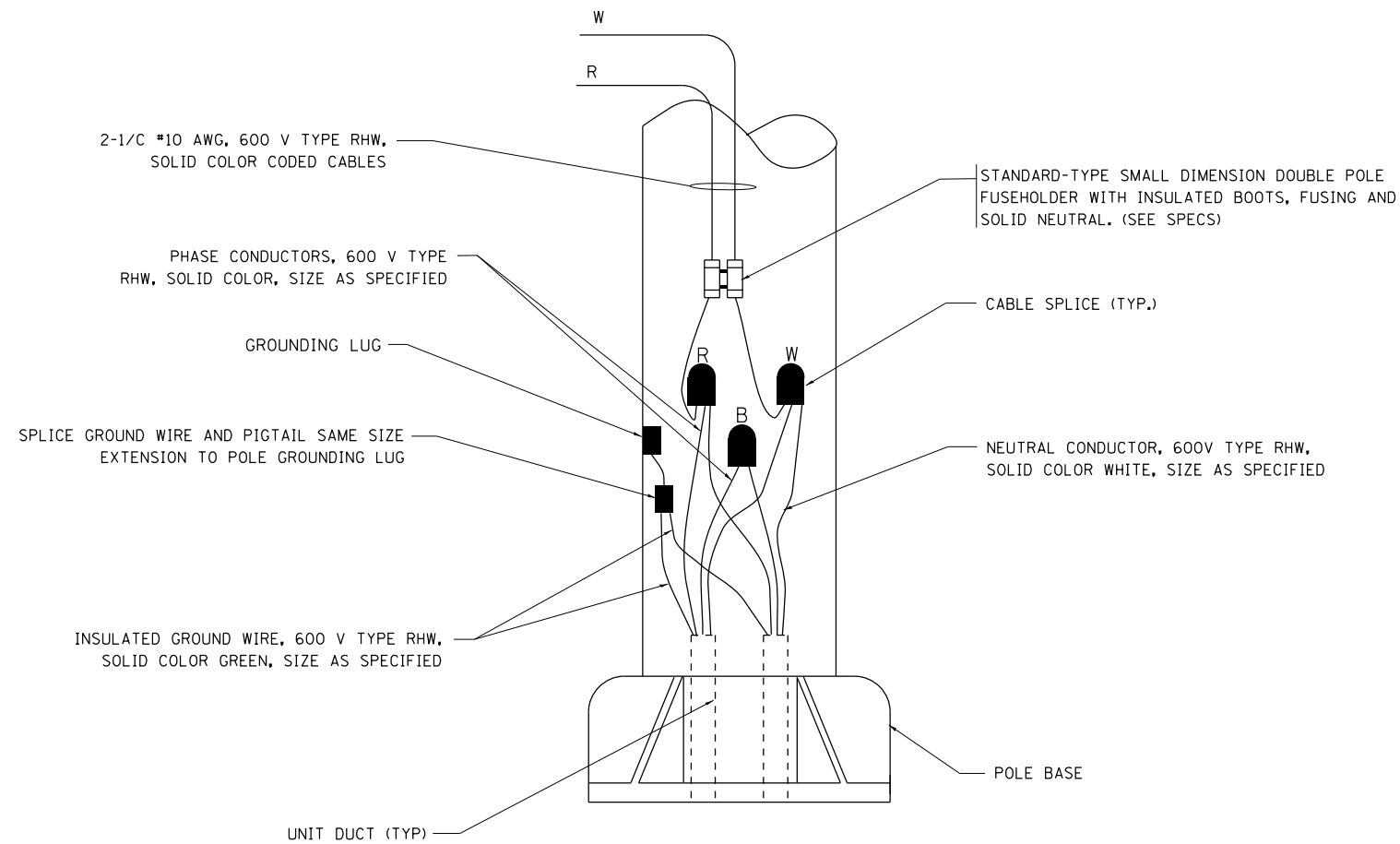
**TYPICAL SPLICE DETAIL**

N.T.S.



**TYPICAL WIRING IN TRENCH DETAIL**

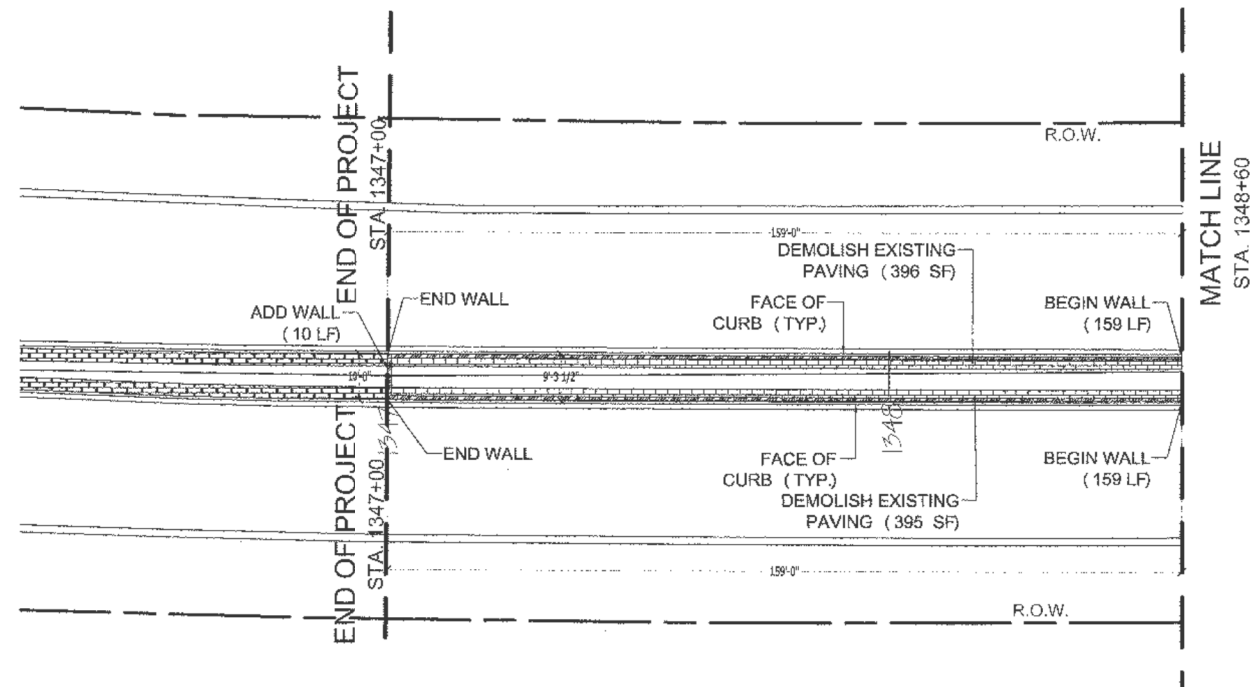
N.T.S.



**POLE WIRING DETAIL**

N.T.S.

FILE NAME =	USER NAME = hassann	DESIGNED -	REVISED - 08-08-03	<b>STATE OF ILLINOIS DEPARTMENT OF TRANSPORTATION</b>	<b>MISC. ELECTRICAL DETAILS SHEET A</b>			F.A.P. RTE.	SECTION	COUNTY	TOTAL SHEETS	SHEET NO.	
p:\11084EBIDINTEG.illinois.gov\PIWIDOT\Documents\DOT Offices\District 1\Projects\PI148\Drawings\Design\DistStd.dgn		CHECKED -	REVISED -		SCALE: NONE	SHEET NO. 1 OF 1 SHEETS	STA.	TO STA.	870	534-1-N	WILL	62	47
		DATE -	REVISED -					<b>BE-702</b>		<b>CONTRACT NO. 60X59</b>			
					<small>FED. ROAD DIST. NO. 1   ILLINOIS FED. AID PROJECT</small>								



**HARDSCAPE AND DEMOLITION KEY**

	EXISTING WALL TO REMAIN
	EXISTING WALL TO BE REMOVED
	EXISTING DECORATIVE PAVING TO BE REMOVED
	EXISTING DECORATIVE PAVING TO BE PRESERVED
	PROPOSED WALL
	CA- PROPOSED CONCRETE APRON/APRON EXTENSION
	EXISTING CONCRETE APRON TO REMAIN

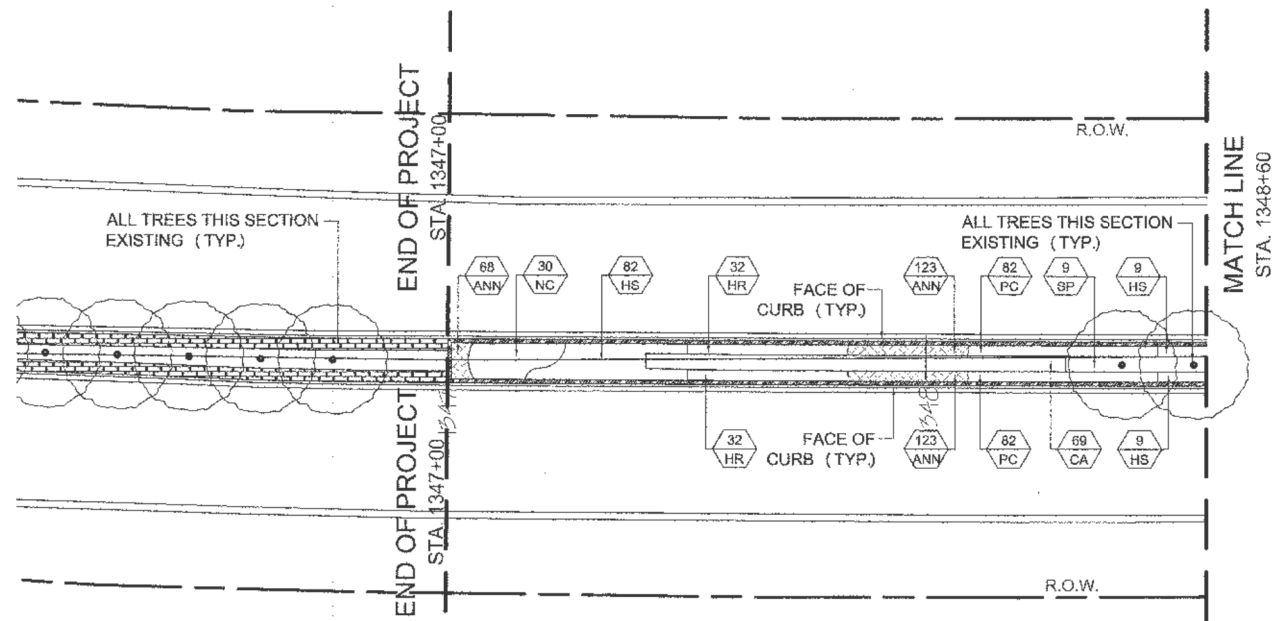
**SHEET KEY**  
NOT TO SCALE -- FOR REFERENCE ONLY



**FOR INFORMATION ONLY**



FILE NAME =	USER NAME = guillaumejp	DESIGNED -	REVISED -	<b>STATE OF ILLINOIS DEPARTMENT OF TRANSPORTATION</b>	<b>EXISTING MEDIAN LANDSCAPING PLAN</b>	F.A.P. RTE.	SECTION	COUNTY	TOTAL SHEETS	SHEET NO.
pw\jll084EBIDINTEG\illinois.gov\PIWIDOT\Documents\IDOT Offices\District 1\Projects\PI14312\Drawings\Design\PI14312-Design.dgn		CHECKED -	REVISED -			870	534-1-N	WILL	62	47A
Default	PLOT SCALE = 100.1403' / in.	DATE -	REVISED -			CONTRACT NO. 60X59				
	PLOT DATE = 8/9/2016					SCALE: SHEET OF SHEETS STA. TO STA.		ILLINOIS FED. AID PROJECT		



**PLANT MATERIALS LIST**

Symbol	Quantity	Botanical Name	Common Name	Spacing
<b>CANOPY TREES</b>				
AF	0	Acer x freemanii	Autumn Blaze Maple	Per Plan
GT	0	Gleditsia tricanthos 'Skyline'	Skyline Honeylocust	Per Plan
<b>DECIDUOUS SHRUBS</b>				
RA	0	Rhus aromatica 'Grow-Low'	Grow Low Sumac	36" o.c.
RR	0	Rosa rugosa	Rugosa Rose	36" o.c.
SF	0	Spirea x b. 'Froebelii'	Froebel Spirea	36" o.c.
SAW	0	Spirea x b. 'Anthony Waterer'	Anthony Waterer Spirea	36" o.c.
SP	9	Syringa patula 'Miss Kim'	Miss Kim Lilac	30" o.c.
<b>ANNUALS, PERENNIALS &amp; ORNAMENTAL GRASSES</b>				
ANN	0	Annuals	Annuals	8" o.c.
CA	69	Calamagrostis x acutiflora 'Karl Forester'	Feather Reed Grass	24" o.c.
HR	64	Hemerocallis 'Rosy Returns'	Rosy Returns Daylily	18" o.c.
HS	100	Hemerocallis 'Stella D'Oro'	Stella D'Oro Daylily	18" o.c.
NC	30	Nepeta x faassenii 'Walkers Low'	Walker's Low Catmint	24" o.c.
PAH	0	Pennisetum a. 'Hainsii'	Hainsii Fountain Grass	24" o.c.
PA	0	Perovskia atriplicifolia	Russian Sage	18" o.c.
PC	164	Polygonum cuspidatum	Fleece Flower	12" o.c.

**SHEET KEY**  
NOT TO SCALE - FOR REFERENCE ONLY



NOTE: There is NO tree removal associated with this project.

NOTE: There is no excavation associated with this project; hence, no erosion control.

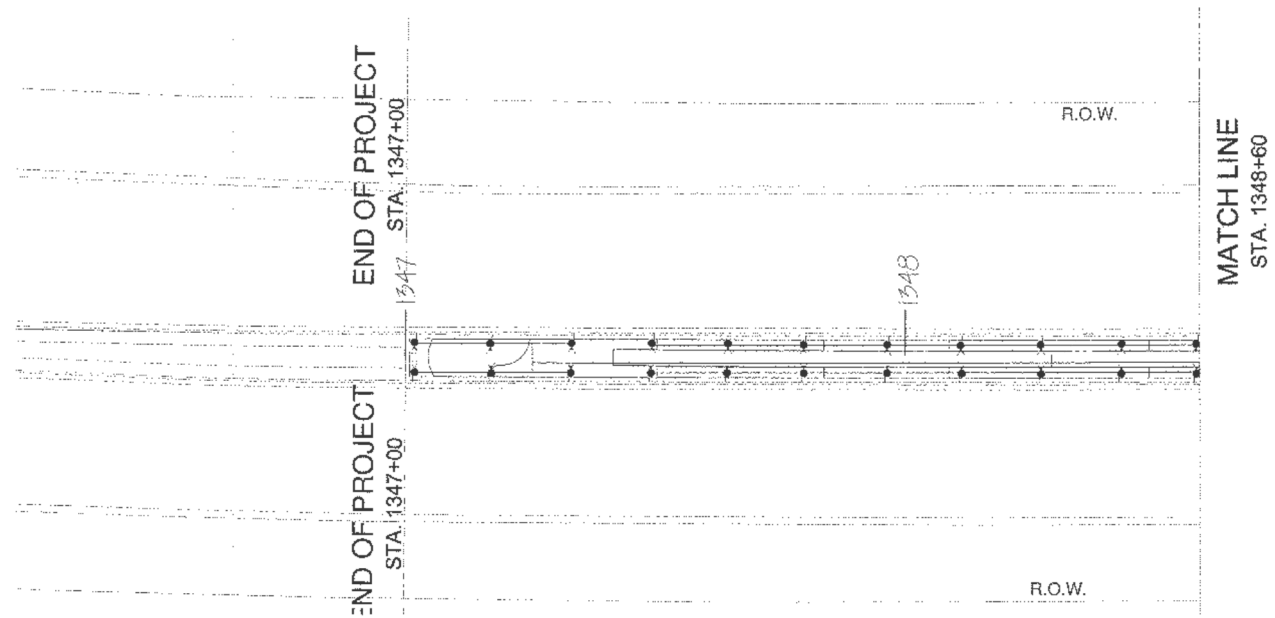
NOTE: Stationing increases from north to south.

NOTE: This project crosses NO bridges or major culverts.



**FOR INFORMATION ONLY**

FILE NAME =	USER NAME = guillaumejp	DESIGNED -	REVISED -	<b>STATE OF ILLINOIS DEPARTMENT OF TRANSPORTATION</b>	<b>EXISTING MEDIAN LANDSCAPING PLAN</b>			F.A.P. RTE.	SECTION	COUNTY	TOTAL SHEETS	SHEET NO.
pw\11084EBIDINTEG.illinois.gov\PI14312-Design\dgn	PLotted SCALE = 100.0000' / 1"	CHECKED -	REVISED -					870	534-1-N	WILL	62	47B
Default	PLotted DATE = 8/9/2016	DATE -	REVISED -		SCALE: SHEET OF SHEETS STA. TO STA.			CONTRACT NO. 60X59				
											ILLINOIS FED. AID PROJECT	



**SHEET KEY**  
NOT TO SCALE -- FOR REFERENCE ONLY

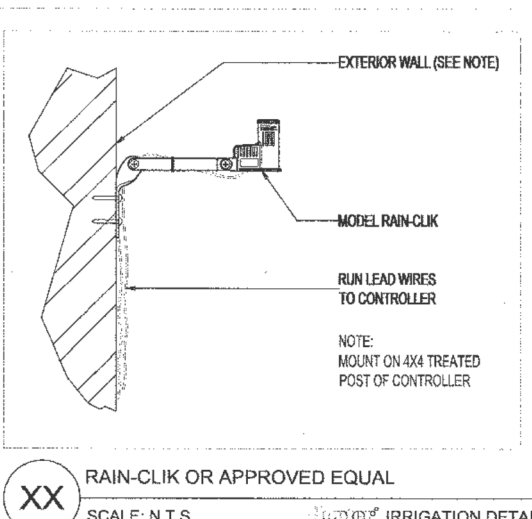
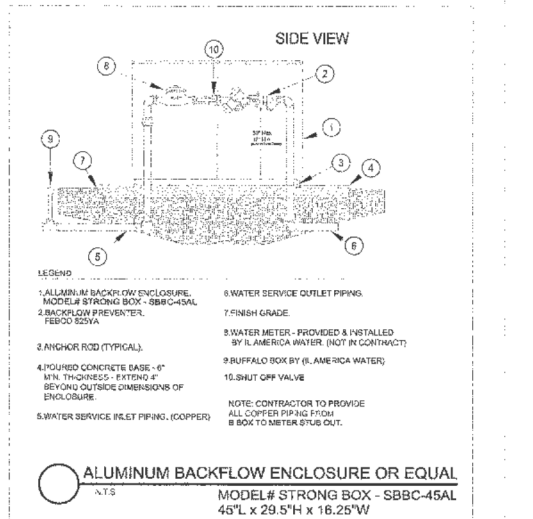
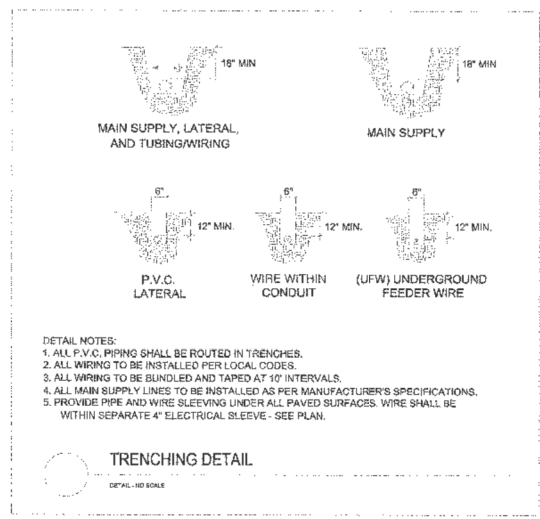
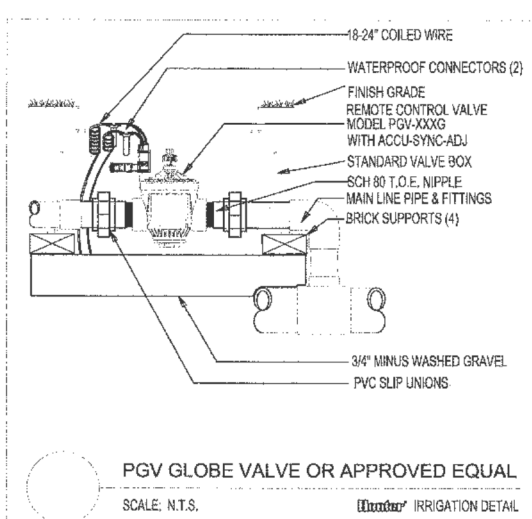
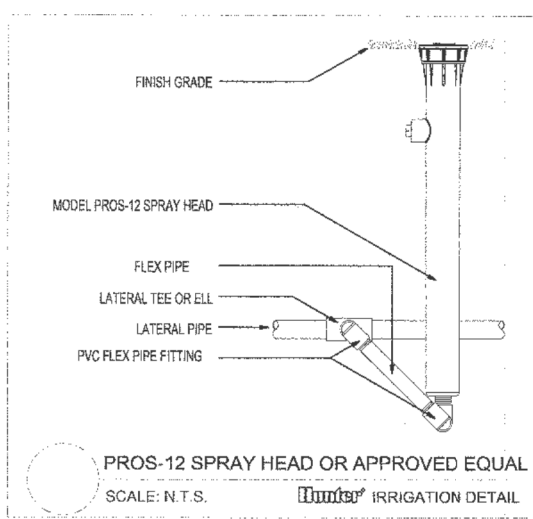
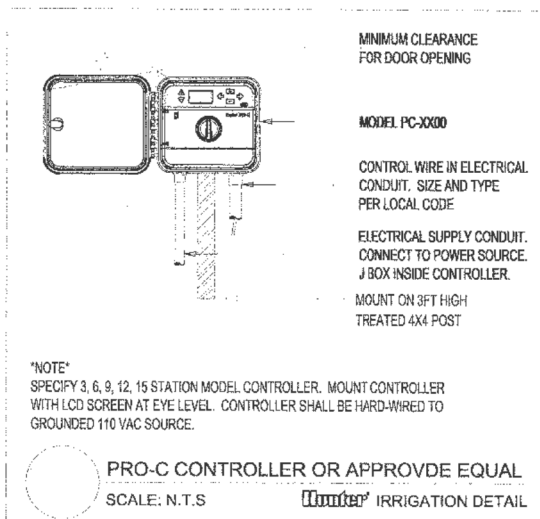


NOTE: ALL BORING PERPENDICULAR TO ROUTE 53 SHALL BE PUSHED BY ILLINOIS & AMERICAN WATER, FREE OF CHARGE.



# FOR INFORMATION ONLY

FILE NAME =	USER NAME = guilleumfp	DESIGNED -	REVISED -	<b>STATE OF ILLINOIS DEPARTMENT OF TRANSPORTATION</b>	<b>EXISTING MEDIAN LANDSCAPING PLAN</b>				F.A.P. RTE.	SECTION	COUNTY	TOTAL SHEETS	SHEET NO.
pw\11084EBIDINTEG.illinois.gov\PI\DOT\Documents\DOT Offices\District 1\Projects\PI14312\Design\PI14312-Design.dgn		CHECKED -	REVISED -						870	534-1-N	WILL	62	47C
Default	PLOT SCALE = 100.0000' / in.	DATE -	REVISED -		CONTRACT NO. 60X59				ILLINOIS FED. AID PROJECT				
	PLOT DATE = 8/9/2016				SCALE:	SHEET	OF	SHEETS	STA.	TO	STA.		



NOTES:

- Head locations are to scale; pipe locations are diagrammatic. Valves and Mainline shown in paved areas are for GRAPHIC CLARITY ONLY. All Valves and Mainline shall be installed within Landscape areas per Village approval.
- Irrigation Design is from the Point Of Connection (POC) only. The design is based on Gallons Per Minute (GPM) and Pounds Per Square Inch (PSI) furnished by others.
- All heads to be installed on swing joints or flexible poly-whip (10" minimum).
- Quick Coupler Valves to be set in turf flush with grade on swing joints. All electric valves shall be located in valve boxes flush with grade.
- All wire splices or connections shall be made with waterproof wire connectors and be in valve or splice boxes.
- Piping crossing under concrete or asphalt in excess of 4' shall be in rigid sleeving 2X pipe O.D.
- Flow pattern and distance of spray shall be regulated with the use of adjustment screw(s) to minimize overthrow onto paved areas; however, radius shall not be reduced more than 25% or allowed to cause a lack of coverage.
- Adjustments necessary in the field shall be made by the contractor.
- Rain Sensor shall be wired into bypass switch box next to controller or terminals provided internally. Rain sensor shall be mounted to a rigid surface in open area.
- No changes to plan or materials is allowed without prior consent of the Engineer.
- Bidding contractors should become thoroughly familiar with all facets of the proposed irrigation system. Failure to clarify misunderstandings, or intent of these drawings and specifications before submittal of bid shall be the responsibility of the contractor.
- Irrigation Contractor will arrange inspections required by local agencies and ordinances during the course of construction as required. ALL WIRING PER LOCAL CODE. BACKFLOW PREVENTION AS PER LOCAL CODE.
- Quick couplers and lines shown will be verified on sight and adjusted to meet conditions.
- Directional boring under roadway to be included in the lump sum bid for this project.
- Sleeving material shall be 4" SCH 40 BE Pipe.
- Boring contractor to provide all necessary and required lane closures and safety boards.
- RPZ backflow preventer and Meter to be installed in an enclosure as shown on the detail.
- Final location of enclosures to be approved by village engineer.
- Bidding contractor is responsible to install and connect a 14 gauge burial wire from existing electrical boxes, and install at a 18" depth, to the location of the controller. Connection and installation to the controller shall be done with weather tight fittings above ground and according to the Controller manufacturer's recommendations for installation.

Irrigation System Meter:

The water meter shall be installed within an enclosure per plan.

The water meter shall be installed in accordance with the Commercial Water Meter Requirements. The irrigation system shall be provided with a reduced pressure zone (RPZ) backflow prevention device in accordance with ILAWC requirements and state/local plumbing codes. The RPZ shall be installed downstream of the water meter.

Provide the anticipated maximum water demand (largest zone in operation) for the irrigation system. The meter shall be sized based on this demand. The meter shall be installed with its own connection to the riser. Do not install this meter downstream of the domestic meter, deduct meter installations are not allowed. The developer's plumber shall provide the required piping spread for the meter installation. Eccentric cam or ball valves shall be installed on each side of the meter.

ILAWC shall supply and install the water meter. Contact the Engineering Department at 630-739-8831 to schedule the meter installation. Anticipate about two weeks for the meter installation.

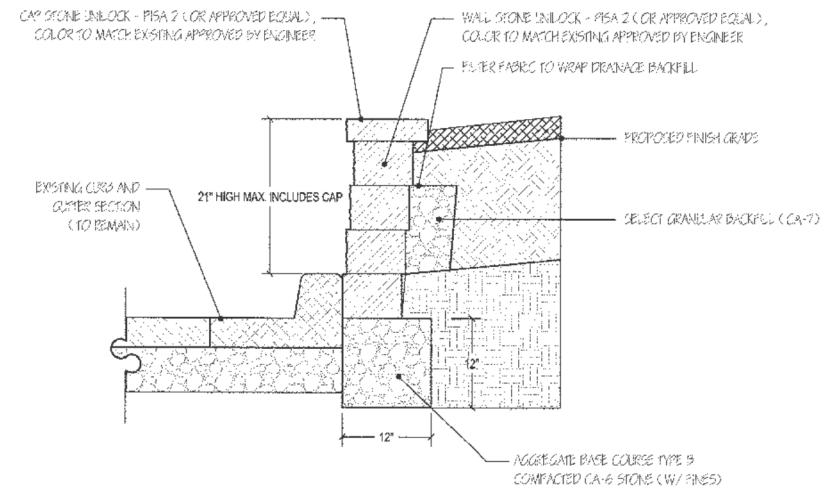
ILAWC shall size, provide and install a water meter for each irrigation meter enclosure.

- Meters are provided with couplings, the meter spread dimension includes the threaded coupling lengths.
- The meter flanges shall be given to the contractor's plumber to install. The meter spread dimension includes the 1/8" gasket dimension. The spacing between the flanges shall be in accordance with the Neptune T-10 Meter Spread (or approved equal) requirement. Two inch water meters shall be provided with lockable 2" by-pass. A 2" flanged test tee shall be installed immediately downstream of the meter.
- Refer to the Schlumberger (or approved equal) water meter specifications regarding additional installation requirements for the Neptune T-10 water meter.

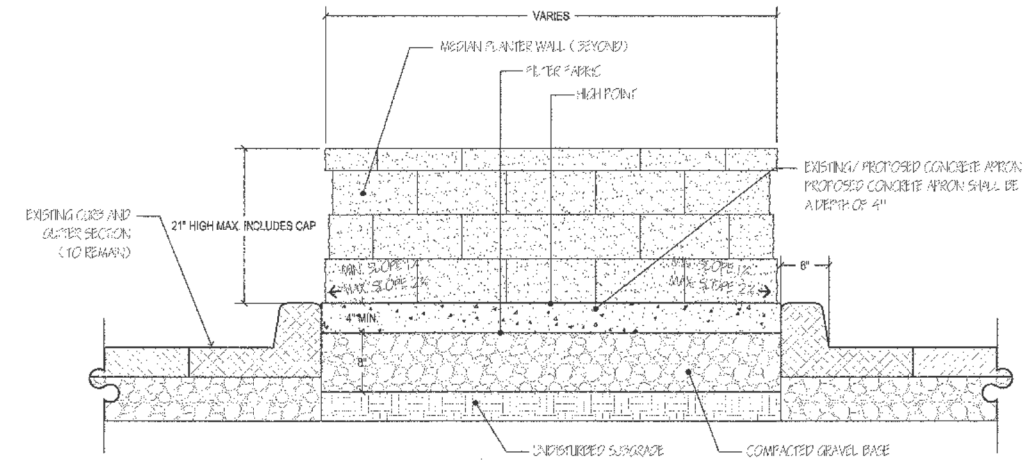
Neptune T-10 Meter Size	Meter Spread	Meter -Type of End	Threads per Inch
5/8" x 3/4"	12-3/4"	*Male - Threaded	11-1/2"
3/4" Long	14-1/4"	*Male - Threaded	11-1/2"
1"	16-1/4"	*Male - Threaded	11-1/2"
1-1/2"	13-1/4"	**Flanged to Flange	N/A
2"	17-1/4"	**Flanged to Flange	N/A

NOTE: All materials on this list are PROPRIETARY in nature. Equal Materials shall be allowed upon Engineer's approval.

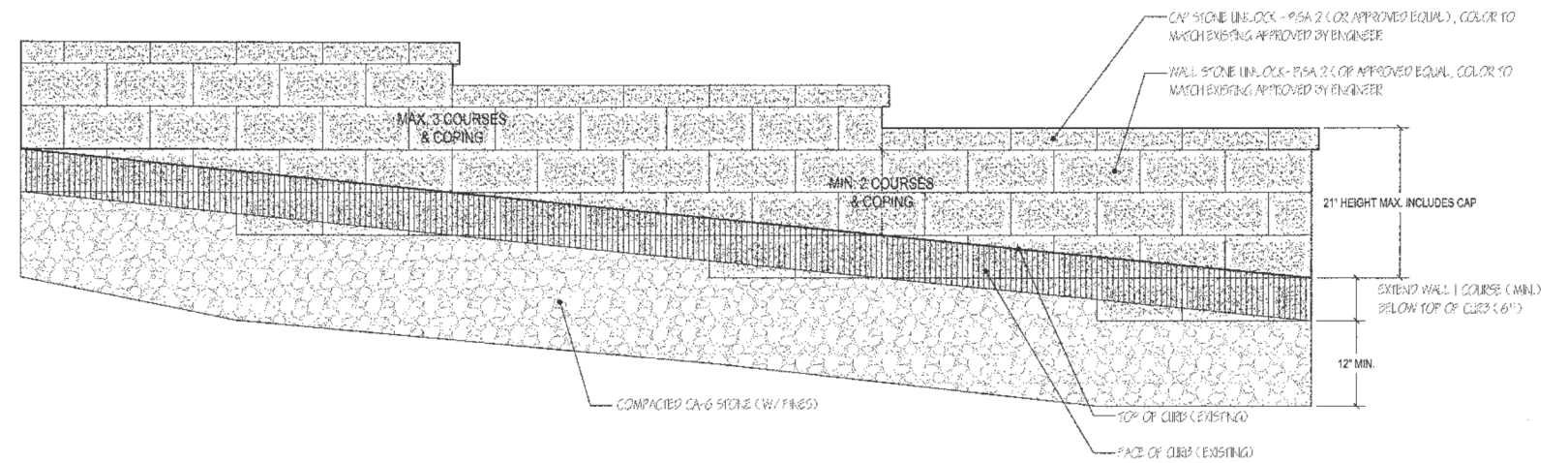
# FOR INFORMATION ONLY



**1 WALL SECTION (TYP.)**  
SCALE: 1" = 1'-0"



**2 EXISTING/PROPOSED CONCRETE APRON SECTION (TYP.)**  
SCALE: 1" = 1'-0"



**3 WALL ELEVATION (TYP.)**  
SCALE: 1" = 1'-0"

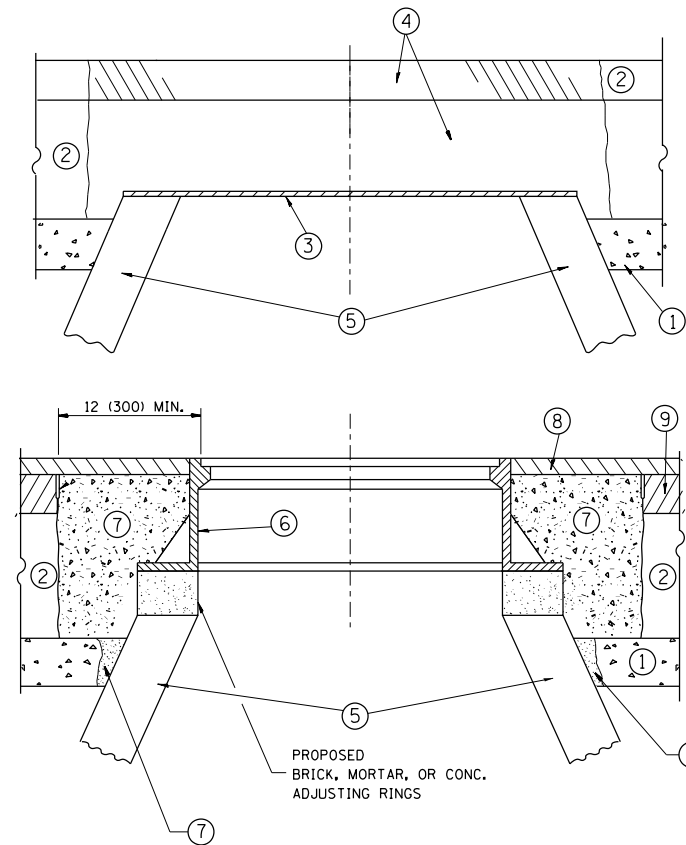
WALL END TO WALL END STATIONS:

- STA. 1347+00 TO 1355+13
- STA. 1380+87 TO 1381+58
- STA. 1393+41 TO 1395+10
- STA. 1406+33 TO 1408.53
- STA. 1416+10 TO 1417+52
- STA. 1423+08 TO 1423+86
- STA. 1425+08 TO 1426+71
- STA. 1431+56 TO 1435+64
- STA. 1436+16 TO 1438+18
- STA. 1441+53 TO 1450+19

**FOR INFORMATION ONLY**

FILE NAME =	USER NAME = guilleumfp	DESIGNED -	REVISED -	<b>STATE OF ILLINOIS DEPARTMENT OF TRANSPORTATION</b>	<b>EXISTING MEDIAN LANDSCAPING PLAN</b>	F.A.P. RTE.	SECTION	COUNTY	TOTAL SHEETS	SHEET NO.	
pw:\IL\084EBID\INTEG\Illinois.gov\PWIDOT\Documents\100T_Offices\District 1\Projects\P114312\Drawings\Design\P114312-Design.dgn		CHECKED -	REVISED -			870	534-1-N	WILL	62	47E	
Default	PLOT SCALE = 99.9412 "/> <td>DATE -</td> <td>REVISED -</td> <td colspan="6" style="text-align: center;"><b>CONTRACT NO. 60X59</b></td>	DATE -	REVISED -			<b>CONTRACT NO. 60X59</b>					
	PLOT DATE = 8/9/2016					ILLINOIS FED. AID PROJECT					





**CONSTRUCTION PROCEDURES**

**STAGE 1 (BEFORE PAVEMENT MILLING)**

- A) REMOVE A MINIMUM OF 12 (300) OF THE PAVEMENT FROM AROUND THE STRUCTURE.
- B) REMOVE THE EXISTING FRAME AND LID FROM THE STRUCTURE.
- C) COVER THE STRUCTURE OPENING WITH A 36 (900) DIAMETER METAL PLATE.
- D) BACKFILL WITH CRUSHED STONE AND A MINIMUM 1/2 (40) THICK HMA SURFACE MIX APPROVED BY THE ENGINEER.

**STAGE 2 (AFTER PAVEMENT MILLING)**

- A) REMOVE THE HMA SURFACE MIX AND CRUSHED STONE.
- B) INSTALL THE FRAME AND LID; ADJUST THE FRAME TO ITS FINAL SURFACE ELEVATION.
- C) THE SURROUNDING SPACE SHALL BE FILLED WITH CLASS PP-1\* CONCRETE TO THE ELEVATION OF THE SURFACE OF THE EXISTING BASE COURSE OR THE BINDER COURSE.

\* UNLESS OTHERWISE SPECIFIED IN THE PLANS.

THE PROCEDURE EXPLAINED ABOVE SHALL CONFORM TO THE APPLICABLE PORTIONS OF SECTIONS 353, 406, 602, AND 603 OF THE STANDARD SPECIFICATIONS EXCEPT THAT "THE CONTRACTOR SHALL ADJUST THE STRUCTURES TO THE FINISHED PAVEMENT ELEVATION NO MORE THAN 5 CALENDAR DAYS PRIOR TO PLACEMENT OF THE FINAL LIFT OF SURFACE UNLESS APPROVED BY THE ENGINEER."

**LEGEND**

- ① SUB-BASE GRANULAR MATERIAL
- ② EXISTING PAVEMENT
- ③ 36 (900) DIAMETER METAL PLATE
- ④ PROPOSED CRUSHED STONE AND HMA SURFACE MIX
- ⑤ EXISTING STRUCTURE
- ⑥ FRAME AND LID (SEE NOTES)
- ⑦ CLASS PP-1\* CONCRETE
- ⑧ PROPOSED HMA SURFACE COURSE
- ⑨ PROPOSED HMA BINDER COURSE

**LOCATION OF STRUCTURES:**

THE CONTRACTOR WILL BE REQUIRED TO KEEP A RECORD OF THE LOCATIONS OF THE BURIED STRUCTURES ACCORDING TO THE STATION AND DISTANCE LEFT OR RIGHT OF THE CENTERLINE OF PAVEMENT. UPON COMPLETION OF THE WORK, THE CONTRACTOR WILL DELIVER THE RECORD TO THE ENGINEER.

**BASIS OF PAYMENT:**

REMOVING FRAMES AND LIDS ON DRAINAGE AND UTILITY STRUCTURES IN THE PAVEMENT PRIOR TO MILLING, AND ADJUSTING TO FINAL GRADE PRIOR TO PLACING THE SURFACE COURSE, WILL BE PAID FOR AT THE CONTRACT UNIT PRICE EACH FOR "FRAMES AND LIDS TO BE ADJUSTED (SPECIAL)."

THIS WORK WILL NOT BE PAID FOR WHEN DRAINAGE AND UTILITY STRUCTURES ARE SPECIFIED FOR PAYMENT AS STRUCTURE RECONSTRUCTION.

NEW FRAMES AND LIDS, WHEN SPECIFIED, WILL BE PAID FOR SEPARATELY.

**NOTES:**

EXISTING BROKEN FRAMES AND LIDS SHALL BE REMOVED AND DISPOSED OF BY THE CONTRACTOR AND SHALL BE REPLACED AS DIRECTED BY THE ENGINEER. REPLACEMENT FRAMES AND LIDS WILL BE PAID FOR IN ACCORDANCE WITH ARTICLE 109.04 OF THE STANDARD SPECIFICATIONS UNLESS A SEPARATE PAY ITEM HAS BEEN PROVIDED.

IF THE EXISTING LIDS ARE OPEN, THE FRAME WILL BE ADJUSTED TO THE ELEVATION OF THE MILLED PAVEMENT SURFACE PRIOR TO THE MILLING OPERATION. THE FRAME WILL NOT BE REMOVED AND COVERED BY THE METAL PLATE.

CITY OF CHICAGO CASTINGS ARE THE PROPERTY OF THE CITY AND THE CONTRACTOR SHALL NOTIFY THE CITY FOR REMOVAL AND DISPOSITION OF THE CASTINGS.

THE METAL PLATE USED TO COVER THE STRUCTURE SHALL REMAIN THE PROPERTY OF THE CONTRACTOR.

WHEN STRUCTURES ARE TO BE ADJUSTED OR RECONSTRUCTED, THE LOWERING AND RAISING OF THE FRAMES AND LIDS WILL NOT BE PAID FOR SEPARATELY BUT WILL BE INCLUDED IN THE COST OF THE CORRESPONDING PAY ITEM.

**DETAILS FOR FRAMES AND LIDS ADJUSTMENT WITH MILLING**

ALL DIMENSIONS ARE IN INCHES (MILLIMETERS) UNLESS OTHERWISE SHOWN

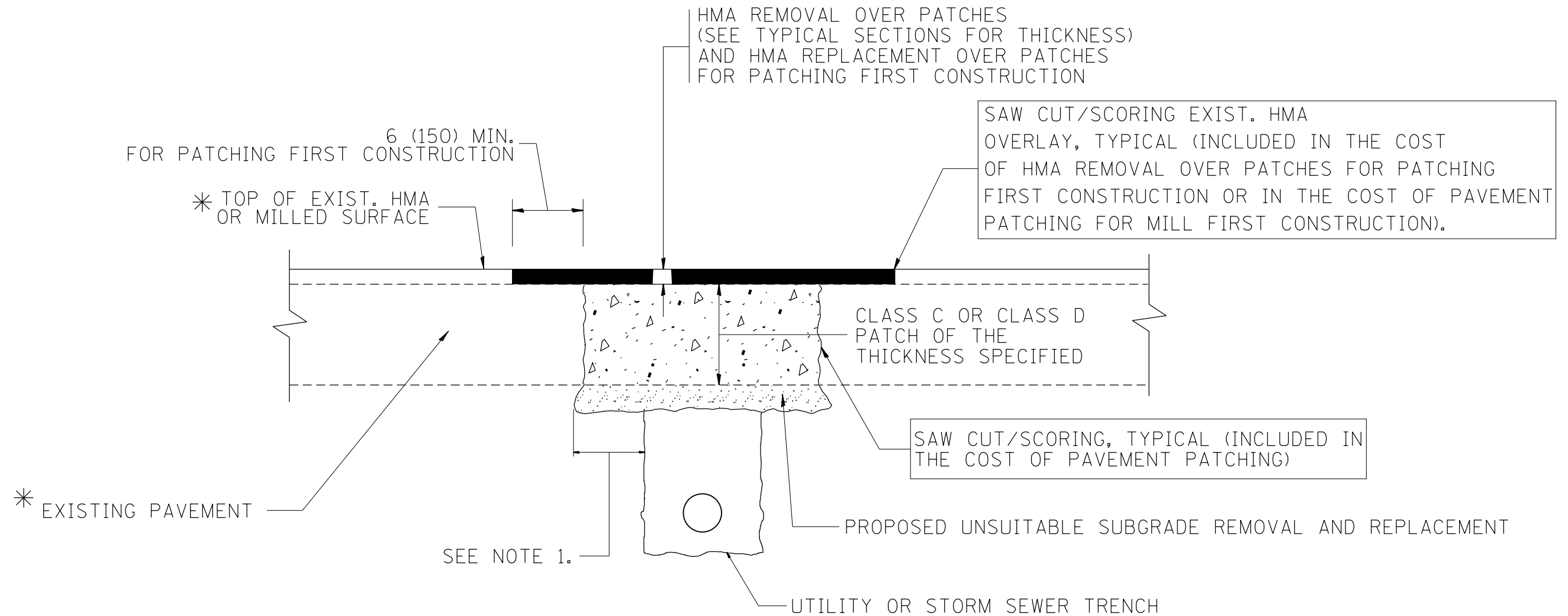
FILE NAME =	USER NAME = hassan	DESIGNED - R. SHAH	REVISED - R. WIEDEMAN 05-14-04
p:\1\084EBIDINTEG.illinois.gov\PI\DOT\Documents\IDOT Offices\District 1\Projects\PI14\Drawings\Design\DistStd.dgn			REVISED - R. BORO 01-01-07
	PLOT SCALE = 100.0000' / 1in.	CHECKED -	REVISED - R. BORO 03-09-11
	PLOT DATE = 3/29/2016	DATE - 10-25-94	REVISED - R. BORO 12-06-11

**STATE OF ILLINOIS  
DEPARTMENT OF TRANSPORTATION**

**DETAILS FOR  
FRAMES AND LIDS ADJUSTMENT WITH MILLING**

SCALE: NONE SHEET NO. 1 OF 1 SHEETS STA. TO STA.

F.A.P. RTE.	SECTION	COUNTY	TOTAL SHEETS	SHEET NO.
870	534-1-N	WILL	62	48
BD600-03 (BD-8)		CONTRACT NO. 60X59		
FED. ROAD DIST. NO. 1 ILLINOIS FED. AID PROJECT				



\* SEE TYPICAL SECTIONS FOR THICKNESS AND MATERIALS

**NOTES:**

1. THE WIDTH OF THE FULL DEPTH PATCH OVER A TRENCH SHALL BE 12 (300) WIDER ON EACH SIDE OF THE TRENCH.
2. FOR METHOD OF MEASUREMENT AND BASIS OF PAYMENT, SEE RECURRING SPECIAL PROVISION "PATCHING WITH HOT-MIX ASPHALT OVERLAY REMOVAL".

SEQUENCE OF CONSTRUCTION (PATCHING FIRST)

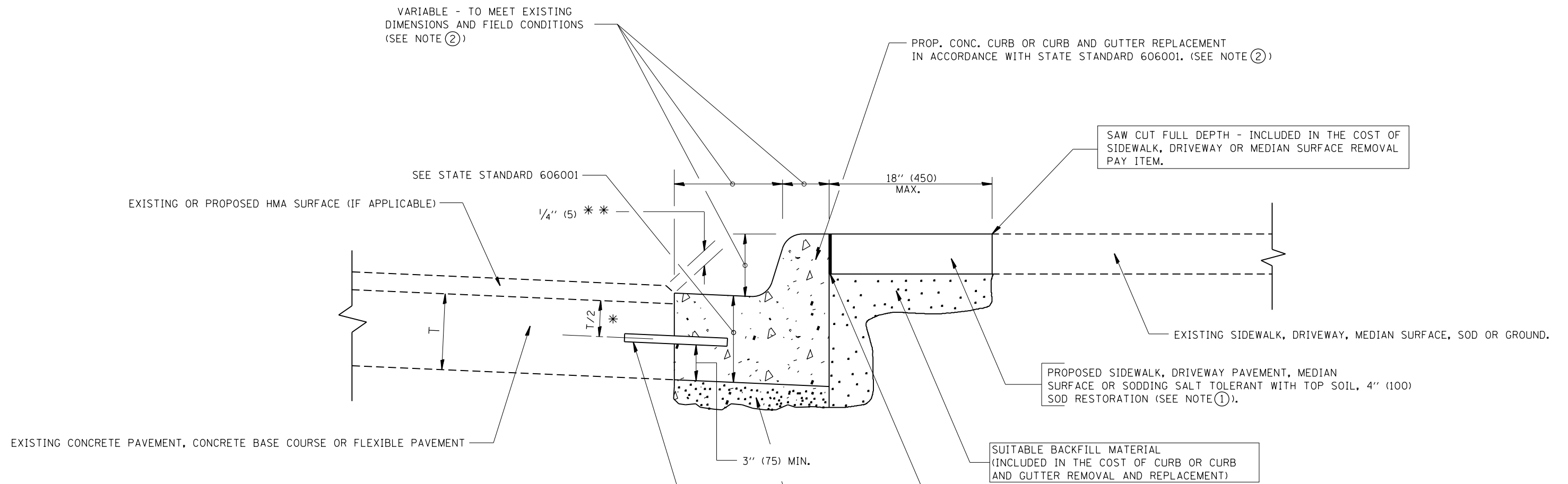
1. REMOVE THE EXISTING HMA MATERIAL OVER THE AREA TO BE PATCHED.
2. REMOVE AND REPLACE WITH CLASS C OR D PATCH.
3. REPLACE HMA MATERIAL OVER THE AREA TO BE PATCHED.

SEQUENCE OF CONSTRUCTION (MILLING FIRST)

1. MILL HMA FIRST IF THERE IS AT LEAST 4 1/2 INCHES OR MORE OF HMA MATERIAL ON TOP OF THE EXISTING PAVEMENT OR IF THE PAVEMENT IS FULL DEPTH HMA. A MINIMUM OF 2 INCHES OF HMA MATERIAL SHALL BE IN PLACE AFTER MILLING.
2. REMOVE AND REPLACE WITH FULL DEPTH CLASS D PATCHES TO TOP OF MILLED SURFACE.

ALL DIMENSIONS ARE IN INCHES (MILLIMETERS) UNLESS OTHERWISE SHOWN.

FILE NAME =	USER NAME = hassan	DESIGNED - R. SHAH	REVISED - A. ABBAS 04-27-98	<b>STATE OF ILLINOIS DEPARTMENT OF TRANSPORTATION</b>	<b>PAVEMENT PATCHING FOR HMA SURFACED PAVEMENT</b>			F.A.P. RTE.	SECTION	COUNTY	TOTAL SHEETS	SHEET NO.
pw\11084EBIDINTEG.illinois.gov\PIWIDOT\Documents\DOT Offices\District 1\Projects\PI14\Drawings\Design\DistStd.dgn		REVISOR - R. BORO 01-01-07	REVISED - R. BORO 01-01-07					870	534-1-N	WILL	62	49
	PLOT SCALE = 100.0000' / 1" =	CHECKED -	REVISED - R. BORO 09-04-07		<b>BD400-04 (BD-22)</b>		<b>CONTRACT NO. 60X59</b>					
	PLOT DATE = 3/29/2016	DATE - 10-25-94	REVISED - K. ENG 10-27-08		SCALE: NONE	SHEET NO. 1 OF 1 SHEETS	STA.	TO STA.	FED. ROAD DIST. NO. 1 ILLINOIS FED. AID PROJECT			



- \* 3" (75) MINIMUM FROM TOP AND BOTTOM OF THE CONCRETE PAVEMENT OR BASE COURSE.
  - \* \* IF THE FINAL SURFACE OF THE PAVEMENT IS CONCRETE, THE GUTTER IS TO BE FLUSH WITH THE PAVEMENT.
- NOTE: ① SIDEWALK, DRIVEWAY PAVEMENT OR MEDIAN SURFACE SHALL BE SIMILAR TO THE MATERIAL BEING REMOVED AND WILL BE PAID FOR SEPARATELY.
- SODDING, SALT TOLERANT AND TOP SOIL, FURNISH AND PLACE 4" WILL BE PAID FOR SEPARATELY.
- ② FERTILIZER FOR THE PLACEMENT OF THE SOD IS NOT REQUIRED
  - ③ CURB OR CURB AND GUTTER REPLACEMENT SHALL MATCH THE SHAPE OF THE EXISTING CURB OR CURB AND GUTTER UNLESS OTHERWISE SPECIFIED.
  - ④ FOR CURB OR CURB AND GUTTER REMOVAL AND REPLACEMENT ADJACENT TO FLEXIBLE PAVEMENT DELETE EPOXY COATED TIE BARS.
  - ⑤ LONGITUDINAL BARS, IF ENCOUNTERED IN THE EXISTING CURB OR CURB AND GUTTER, ARE NOT TO BE REPLACED. CUTTING AND REMOVING LONGITUDINAL BARS SHALL BE INCLUDED IN THE COST OF CURB OR CURB AND GUTTER REMOVAL AND REPLACEMENT.
  - ⑥ THE COST OF HMA SURFACE REMOVAL IN THE EXISTING GUTTER FLAG SHALL BE INCLUDED IN THE COST OF THE CURB AND GUTTER REMOVAL AND REPLACEMENT.
  - ⑦ THE REMOVAL AND REPLACEMENT OF THE EXISTING CURB OR CURB AND GUTTER SHALL BE DONE IN ACCORDANCE WITH THE APPLICABLE PORTIONS OF SECTION 440 AND 606 OF THE STANDARD SPECIFICATIONS.
  - ⑧ THE LOCATIONS OF REMOVAL AND REPLACEMENT OF EXISTING CURB OR CURB AND GUTTER SHALL BE DETERMINED BY THE RESIDENT ENGINEER AT THE TIME OF CONSTRUCTION.

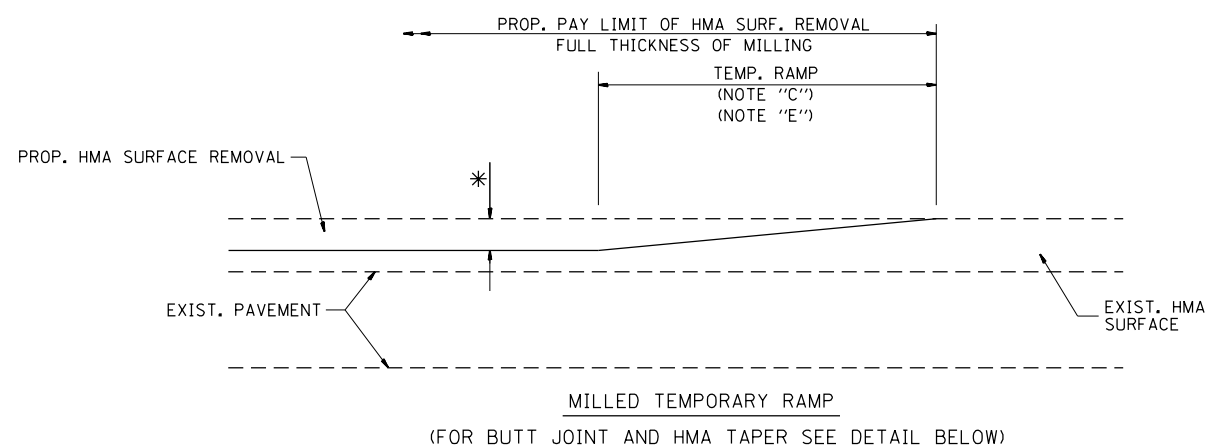
- PROPOSED 3/4" (20) PREFORMED EXPANSION JOINT AT CONCRETE SIDEWALKS, DRIVEWAYS, AND MEDIANS. (INCLUDED IN THE COST OF CURB OR CURB AND GUTTER REMOVAL AND REPLACEMENT.)
- UNSUITABLE SUB-BASE MATERIAL TO BE REMOVED, IF DIRECTED BY THE ENGINEER, SHALL BE REPLACED WITH EITHER SUB-BASE GRANULAR MATERIAL, TYPE B OR ADDITIONAL THICKNESS OF CONCRETE.
- REMOVAL AND REPLACEMENT 4" (100) OR LESS IS INCLUDED IN THE COST OF CURB OR CURB AND GUTTER REMOVAL AND REPLACEMENT.
- REMOVAL AND REPLACEMENT IN EXCESS OF 4" (100) WILL BE PAID FOR IN ACCORDANCE WITH ARTICLE 109.04 OF THE STANDARD SPECIFICATIONS.
- PROPOSED #6 (20) EPOXY COATED TIE BARS 24" (600) LONG AT 24" (600) CENTERS WILL NOT BE PAID FOR SEPARATELY. DELETE EPOXY COATED TIE BARS IF EXISTING TIE BARS ARE USABLE AS DETERMINED BY THE ENGINEER. (SEE NOTE ③).

**BASIS OF PAYMENT:**  
 THIS WORK WILL BE PAID FOR AT THE CONTRACT UNIT PRICE PER FOOT (METER) FOR "CURB REMOVAL AND REPLACEMENT" OR "COMBINATION CONCRETE CURB AND GUTTER REMOVAL AND REPLACEMENT".

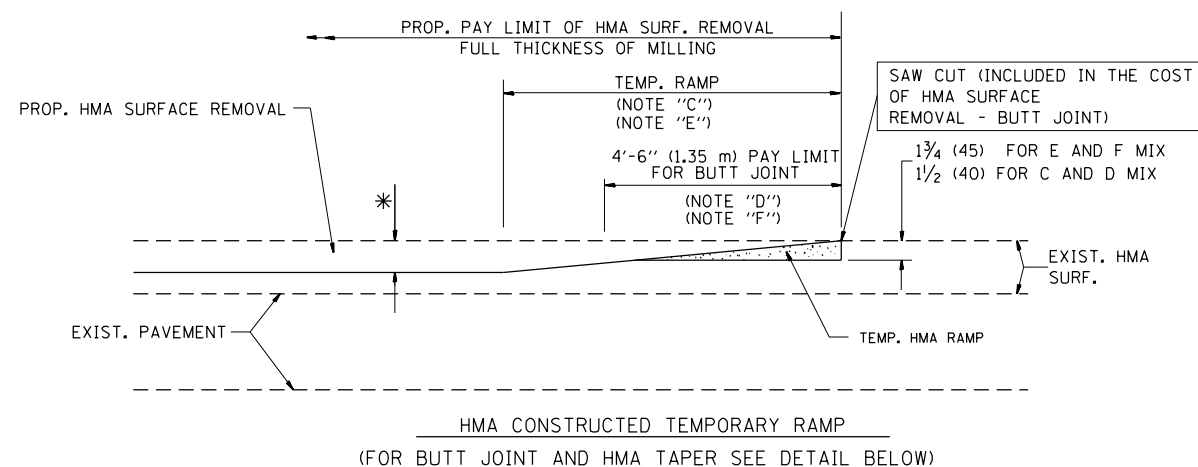
## CURB OR CURB AND GUTTER REMOVAL AND REPLACEMENT

ALL DIMENSIONS ARE IN INCHES (MILLIMETERS) UNLESS OTHERWISE SHOWN.

FILE NAME =	USER NAME = hassan	DESIGNED - A. HOUSEH	REVISED - R. SHAH 10-03-96	<b>STATE OF ILLINOIS DEPARTMENT OF TRANSPORTATION</b>	<b>CURB OR CURB AND GUTTER REMOVAL AND REPLACEMENT</b>	F.A.P. RTE.	SECTION	COUNTY	TOTAL SHEETS	SHEET NO.	
			REVISED - A. ABBAS 03-21-97			870	534-1-N	WILL	62	50	
			REVISED - M. GOMEZ 01-22-01			<b>BD600-06 (BD-24)</b>		<b>CONTRACT NO. 60X59</b>			
			REVISED - R. BORO 12-15-09			FED. ROAD DIST. NO. 1 ILLINOIS FED. AID PROJECT					
PLOT SCALE = 100.0000' / 1in.		CHECKED -	DATE - 03-11-94	SCALE: NONE	SHEET NO. 1 OF 1 SHEETS	STA.	TO STA.				

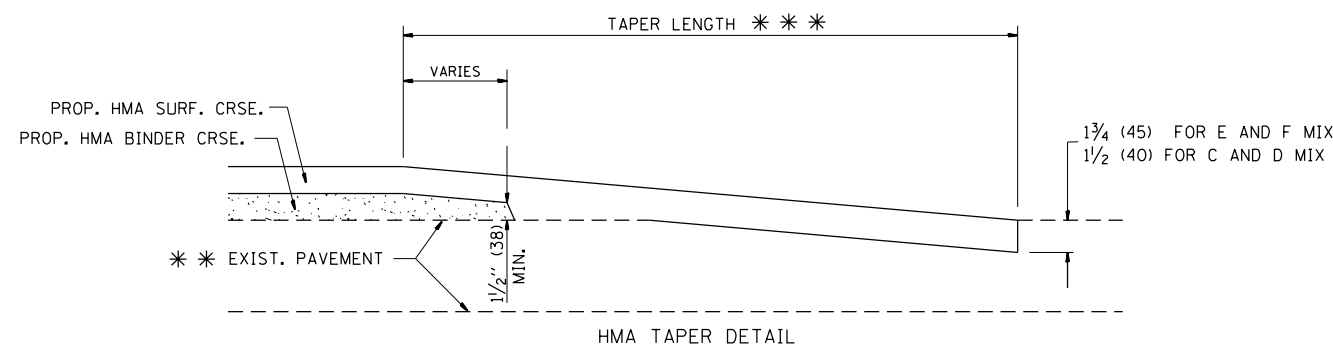
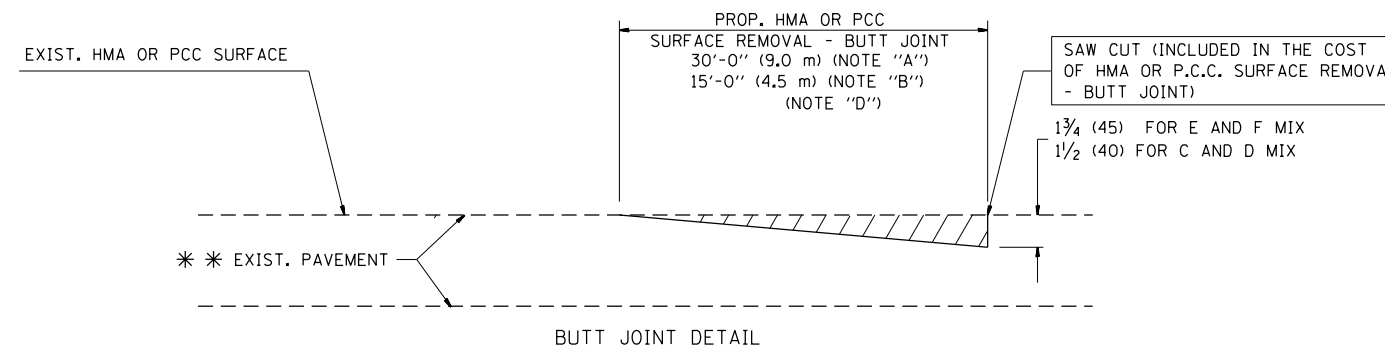


**OPTION 1**



**OPTION 2**

**TYPICAL TEMPORARY RAMP**



**TYPICAL BUTT JOINT AND HMA TAPER FOR RESURFACING ONLY**

\* \* PC CONCRETE, HMA OR HMA RESURFACED PAVEMENT.

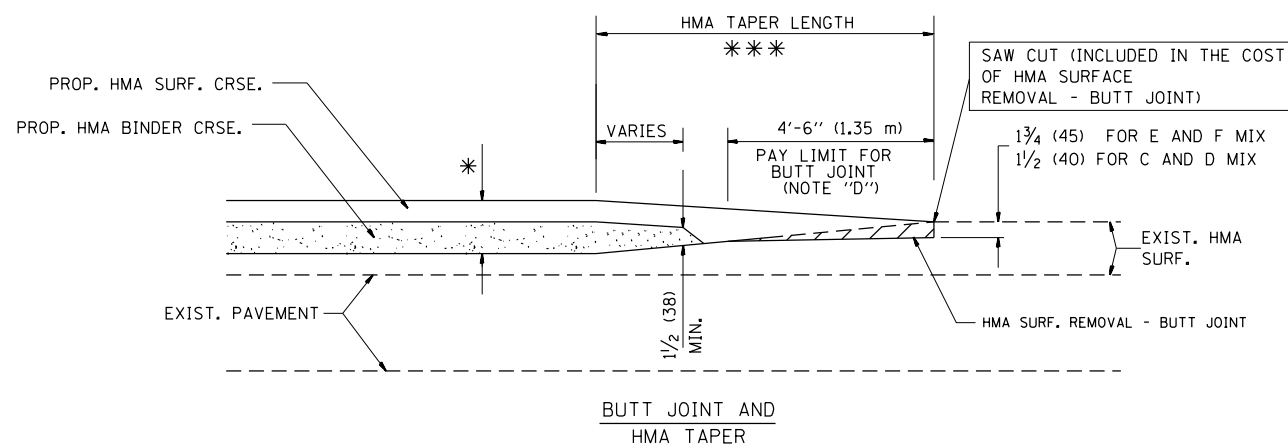
**NOTES**

- A: MAINLINE ROADWAYS AND MAJOR SIDE ROADS.
  - B: MINOR SIDE ROADS.
  - C: THE TEMP. RAMP SHALL BE CONSTRUCTED IMMEDIATELY UPON REMOVAL OF THE EXISTING HMA SURFACE.
  - D: THE BUTT JOINT SHALL BE CONSTRUCTED IMMEDIATELY PRIOR TO PLACING THE PROPOSED HMA COURSES.
  - E: TAPER THE TEMP. RAMP AT A RATE OF 3'-0" (900 mm) PER 1 INCH (25 mm) OF MILLING THICKNESS.
  - F: INSTALLATION AND REMOVAL OF THE 4'-6" (1.35 m) TEMP. RAMP IS INCLUDED IN COST OF HMA SURFACE REMOVAL - BUTT JOINT
  - G: SEE ARTICLE 406.08 AND 406.14 OF THE STANDARD SPECIFICATIONS FOR "HMA AND/OR PCC SURFACE REMOVAL, BUTT JOINT".
- \* SEE TYPICAL SECTIONS FOR MILLING THICKNESS.
- \* \* \* 20'-0" (6.1 m) PER 1 (25) RESURFACING (NOTE "A")  
10'-0" (3.0 m) PER 1 (25) RESURFACING (NOTE "B")

**BASIS OF PAYMENT:**

THE BUTT JOINT WILL BE PAID FOR AT THE CONTRACT UNIT PRICE PER SQUARE YARD (SQUARE METER) FOR "HOT-MIX ASPHALT SURFACE REMOVAL - BUTT JOINT" OR FOR "PORTLAND CEMENT CONCRETE SURFACE REMOVAL - BUTT JOINT".

ALL DIMENSIONS ARE IN INCHES (MILLIMETERS) UNLESS OTHERWISE SHOWN.



**TYPICAL BUTT JOINT AND HMA TAPER FOR MILLING AND RESURFACING**

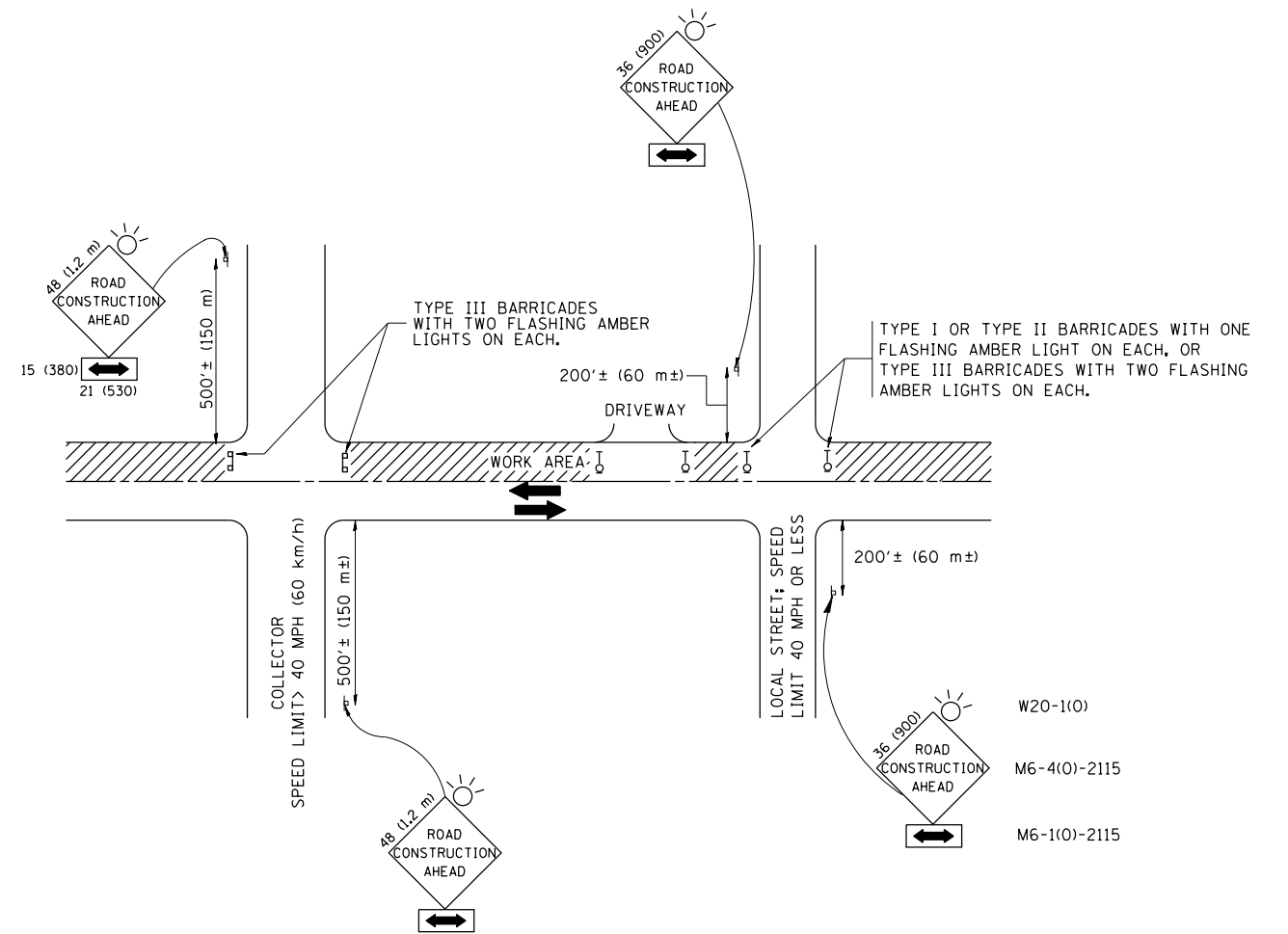
FILE NAME =	USER NAME = hassann	DESIGNED - M. DE YONG	REVISED - R. SHAH 10-25-94
p:\1\084EBIDINTEG.illinois.gov\PI\DOT\Documents\DOT Offices\District 1\Projects\PI14\Drawings\Design\DistStd.dgn			REVISED - A. ABBAS 03-21-97
	PLOT SCALE = 100.0000' / 1in.	CHECKED -	REVISED - M. GOMEZ 04-06-01
	PLOT DATE = 3/29/2016	DATE - 06-13-90	REVISED - R. BORO 01-01-07

**STATE OF ILLINOIS  
DEPARTMENT OF TRANSPORTATION**

**BUTT JOINT AND  
HMA TAPER DETAILS**

SCALE: NONE SHEET NO. 1 OF 1 SHEETS STA. TO STA.

F.A.P. RTE.	SECTION	COUNTY	TOTAL SHEETS	SHEET NO.
870	534-1-N	WILL	62	51
BD400-05 BD32		CONTRACT NO. 60X59		
FED. ROAD DIST. NO. 1 ILLINOIS FED. AID PROJECT				



TRAFFIC CONTROL AND PROTECTION FOR SIDE ROADS, INTERSECTIONS, AND DRIVEWAYS

NOTES:

A. FOR NO LANE RESTRICTION ON THE SIDE ROAD OR DRIVEWAYS

1. SIDE ROAD WITH A SPEED LIMIT OF 40 MPH (60 km/h) OR LESS AS SHOWN ON THE DRAWING AND AS DIRECTED BY THE ENGINEER:
  - a) ONE ROAD CONSTRUCTION AHEAD SIGN 36 x 36 (900x900) WITH A FLASHER AND FLAG MOUNTED ON IT APPROXIMATELY 200' (60 m) IN ADVANCE OF THE MAIN ROUTE.
  - b) THE CLOSED PORTION OF THE MAIN ROUTE SHALL BE PROTECTED BY BLOCKING WITH TYPE I, TYPE II OR TYPE III BARRICADES, 1/3 OF THE CROSS SECTION OF THE CLOSED PORTION.
2. SIDE ROAD WITH A SPEED LIMIT GREATER THAN 40 MPH (60 km/h) AS SHOWN ON THE DRAWING AND AS DIRECTED BY THE ENGINEER:
  - a) ONE ROAD CONSTRUCTION AHEAD SIGN 48 x 48 (1.2 m x 1.2 m) WITH A FLASHER MOUNTED ON IT APPROXIMATELY 500' (150 m) IN ADVANCE OF THE MAIN ROUTE.
  - b) THE CLOSED PORTION OF THE MAIN ROUTE SHALL BE PROTECTED BY BLOCKING WITH TYPE III BARRICADES, 1/2 OF THE CROSS SECTION OF THE CLOSED PORTION.
3. WHEN THE SIDE ROAD LIES BETWEEN THE BEGINNING OF THE MAINLINE SIGNING AND THE WORK ZONE, A SINGLE HEADED ARROW (M6-1) SHALL BE USED IN LIEU OF THE DOUBLE HEADED ARROW (M6-4).

B. FOR A LANE CLOSURE ON A SIDE ROAD OR DRIVEWAY:

- USE APPLICABLE PORTIONS OF THE TYPICAL APPLICATION OF TRAFFIC CONTROL DEVICES (STD. 701501, STD. 701606 OR THE APPROPRIATE STANDARD). THE SPACING OF SIGNS AND BARRICADES SHALL BE ADJUSTED FOR FIELD CONDITIONS AS DIRECTED BY THE ENGINEER. THE DIRECTIONAL ARROW SHALL BE COVERED OR REMOVED WHEN NO LONGER CONSISTENT WITH THE SIDE ROAD LANE CLOSURE.
- C. ADVANCE WARNING SIGNS ARE TO BE OMITTED ON DRIVEWAY UNLESS OTHERWISE NOTED.
- D. THE TRAFFIC CONTROL AND PROTECTION FOR SIDE ROADS, INTERSECTIONS, AND DRIVEWAYS SHALL BE INCIDENTAL TO THE COST OF SPECIFIED TRAFFIC CONTROL STANDARDS OR ITEMS.

All dimensions are in millimeters (inches) unless otherwise shown.

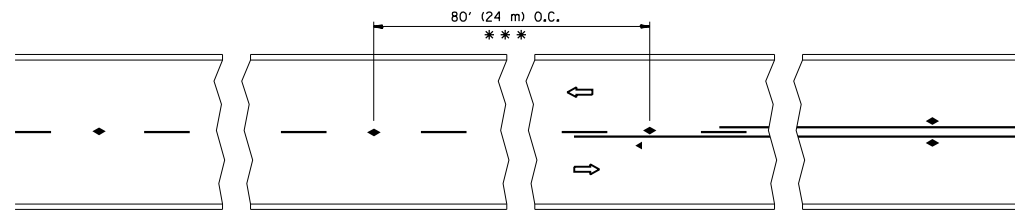
FILE NAME =	USER NAME = hassann	DESIGNED - LHA	REVISED - J. OBERLE 10-18-95
p:\1\084EBIDINTEG\illinois.gov\PIWIDOT\Documents\IDOT Offices\District 1\Projects\PI14	PROJECT =	DISTRICT =	REVISIONS =
	PLANTING =	CHECKED -	REVISED - A. HOUSEH 03-06-96
	PLOT SCALE = 100.0000' / in.	DATE -	REVISED - A. HOUSEH 10-15-96
	PLOT DATE = 3/29/2016	DATE -	REVISED - T. RAMMACHER 01-06-00

STATE OF ILLINOIS  
DEPARTMENT OF TRANSPORTATION

TRAFFIC CONTROL AND PROTECTION FOR  
SIDE ROADS, INTERSECTIONS, AND DRIVEWAYS

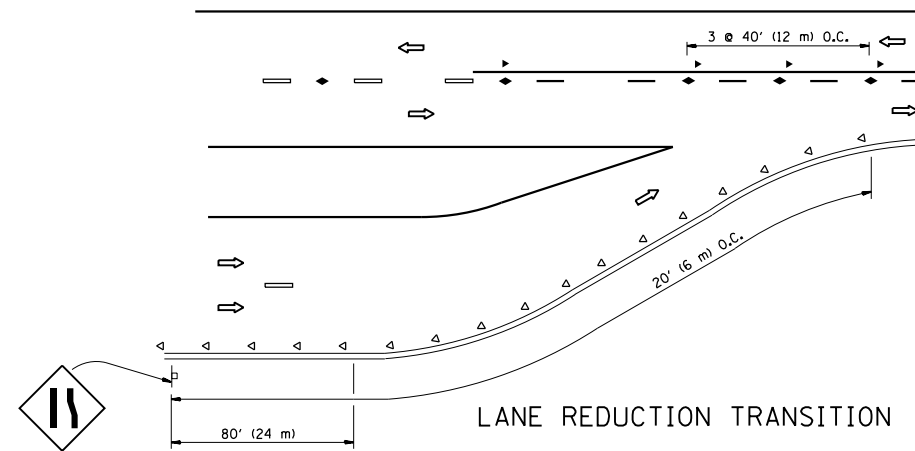
SCALE: NONE SHEET NO. 1 OF 1 SHEETS STA. TO STA.

F.A.P. RTE.	SECTION	COUNTY	TOTAL SHEETS	SHEET NO.
870	534-1-N	WILL	62	52
TC-10		CONTRACT NO. 60X59		
FED. ROAD DIST. NO. 1 ILLINOIS FED. AID PROJECT				

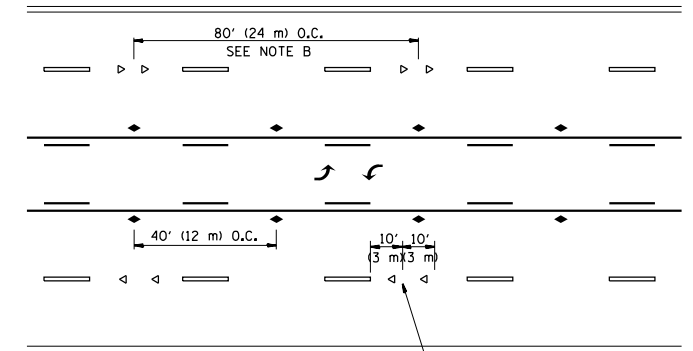


\*\*\* REDUCE TO 40' (12 m) O.C. ON CURVES WITH POSTED OR ADVISORY SPEED 45 M.P.H. (70 km/h) OR LESS.

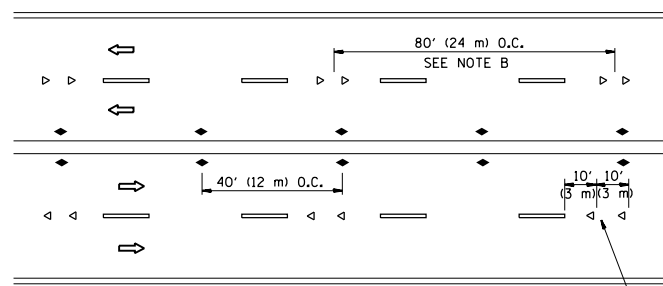
TWO-LANE/TWO-WAY



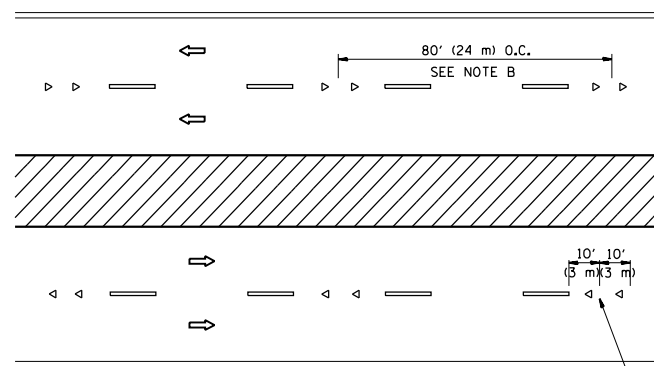
LANE REDUCTION TRANSITION



TWO-WAY LEFT TURN



MULTI-LANE/UNDIVIDED



MULTI-LANE/DIVIDED

GENERAL NOTES

1. MARKERS USED WITH DASHED LINES SHALL BE CENTERED IN THE GAP BETWEEN SEGMENTS.
2. MARKERS USED ADJACENT TO SOLID LINES SHALL BE OFFSET 2 TO 3 (50 TO 75) TOWARD TRAFFIC AS SHOWN.
3. MARKERS THROUGH TANGENTS LESS THAN 500' (150 m) IN LENGTH BETWEEN CURVES SHALL BE INSTALLED AT THE LESSER OF THE TWO CURVE SPACINGS.

SYMBOLS

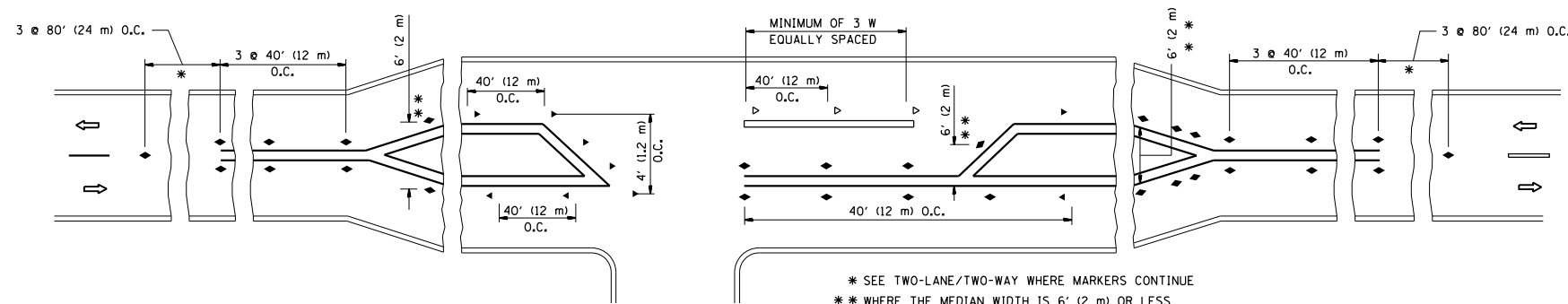
- YELLOW STRIPE
- WHITE STRIPE
- ◀ ONE-WAY AMBER MARKER
- ◁ ONE-WAY CRYSTAL MARKER (W/O)
- ◆ TWO-WAY AMBER MARKER

LANE MARKER NOTES

- A. USE DOUBLE LANE LINE MARKERS SPACED AS SHOWN.
- B. REDUCE TO 40' (12 m) O.C. ON CURVES WHERE ADVISORY SPEEDS ARE 10 M.P.H. (20 km/h) LOWER THAN POSTED SPEEDS.

DESIGN NOTES

1. DOUBLE LANE LINE MARKERS SHALL BE USED UNLESS SPECIFIED OTHERWISE.
2. EXCEPT AS SHOWN ON THE LANE REDUCTION TRANSITION AND FREEWAY EXIT RAMP DETAIL, MARKERS ARE NOT TO BE SPECIFIED ON RIGHT EDGE LINES.
3. THE EXACT MARKER LIMITS, SPACING, AND COLOR SHALL BE INCLUDED IN THE PLANS WHEN STANDARD SPECIFICATIONS ARE NOT BEING USED.
4. MARKERS SHOULD NOT BE USED ALONGSIDE CURBS EXCEPT FOR EXTREMELY SHORT SECTIONS OF CURBS WHERE NOT MORE THAN TWO MARKERS WOULD BE INVOLVED.



LEFT TURN

\* SEE TWO-LANE/TWO-WAY WHERE MARKERS CONTINUE  
 \*\* WHERE THE MEDIAN WIDTH IS 6' (2 m) OR LESS USE TWO-WAY MARKERS.

All dimensions are in inches (millimeters) unless otherwise shown.

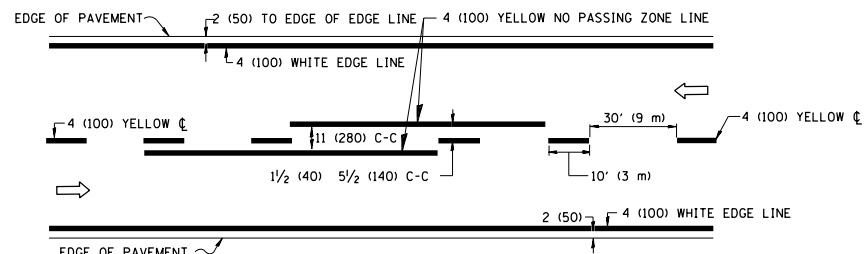
FILE NAME =	USER NAME = hassann	DESIGNED -	REVISED - T. RAMMACHER 09-19-94
pw:\IL\084EBIDINTEG\illinois.gov\PIWIDOT\Documents\IDOT Offices\District 1\Projects\PI14\Drawings\Design\DistStd.dgn		DRAWN -	REVISED - T. RAMMACHER 03-12-99
	PLOT SCALE = 100.0000' / 1"	CHECKED -	REVISED - T. RAMMACHER 01-06-00
	PLOT DATE = 3/29/2016	DATE -	REVISED - C. JUCIUS 09-09-09

STATE OF ILLINOIS  
 DEPARTMENT OF TRANSPORTATION

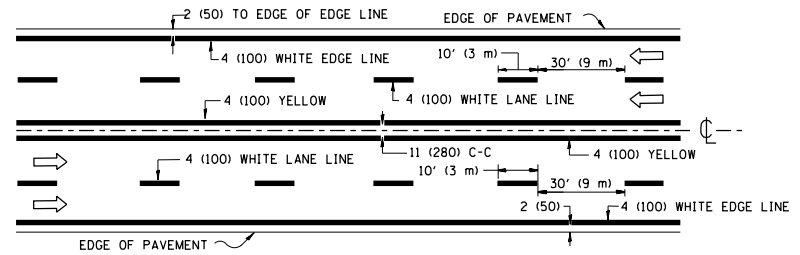
TYPICAL APPLICATIONS  
 RAISED REFLECTIVE PAVEMENT MARKERS (SNOW-PLOW RESISTANT)

SCALE: NONE SHEET NO. 1 OF 1 SHEETS STA. TO STA.

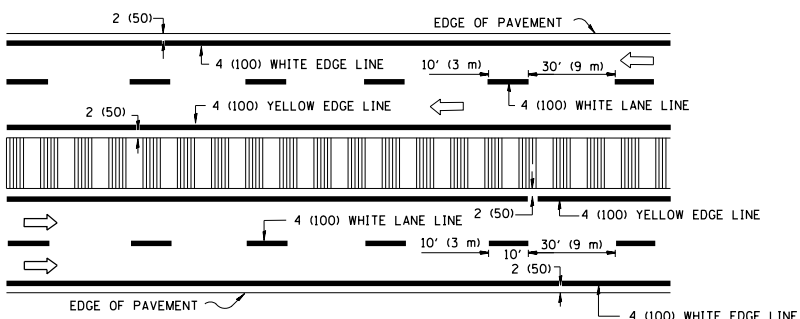
F.A.P. RTE.	SECTION	COUNTY	TOTAL SHEETS	SHEET NO.
870	534-1-N	WILL	62	53
TC-11		CONTRACT NO. 60X59		
FED. ROAD DIST. NO. 1 ILLINOIS FED. AID PROJECT				



**2-LANE ROADWAY**

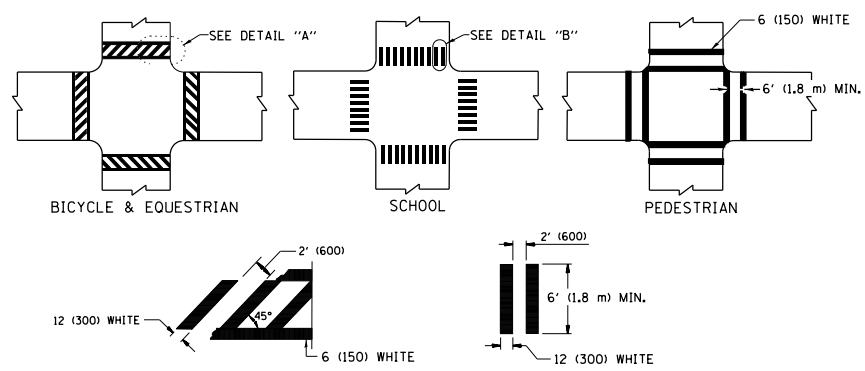


**MULTI-LANE UNDIVIDED**



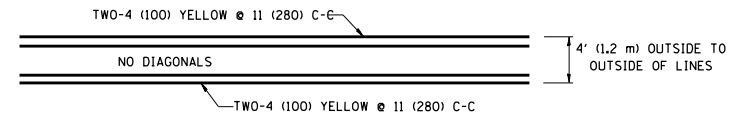
**MULTI-LANE DIVIDED WITH MEDIAN**

**TYPICAL LANE AND EDGE LINE MARKING**

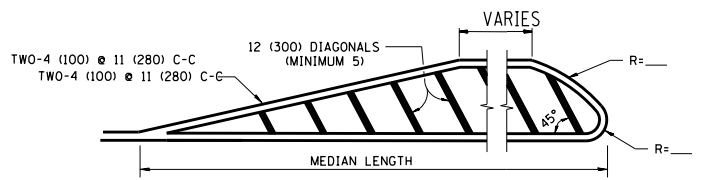


**TYPICAL CROSSWALK MARKING**

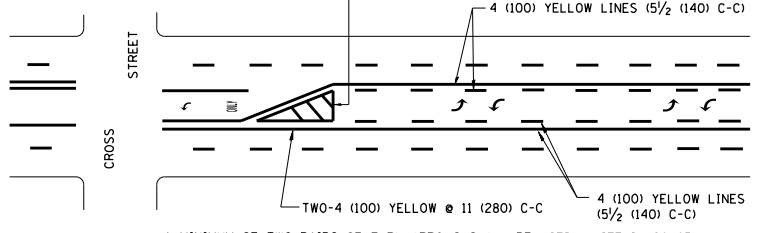
\* MARKINGS SHALL BE INSTALLED PARALLEL TO THE CENTERLINE OF THE ROAD WHICH IT CROSSES



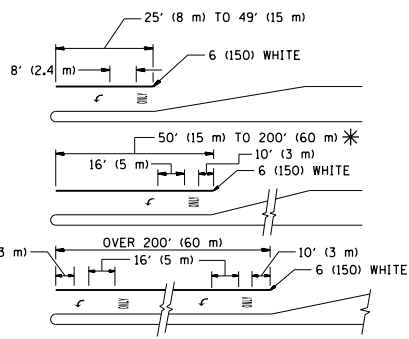
**4' (1.2 m) WIDE MEDIANS ONLY**



**MEDIANS OVER 4' (1.2 m) WIDE**



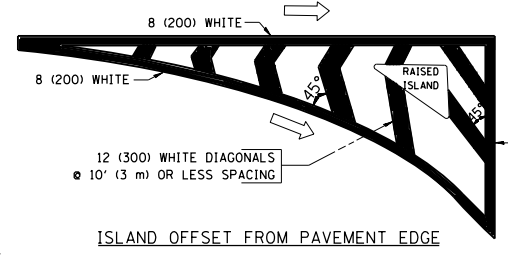
**MEDIAN WITH TWO-WAY LEFT TURN LANE TYPICAL PAINTED MEDIAN MARKING**



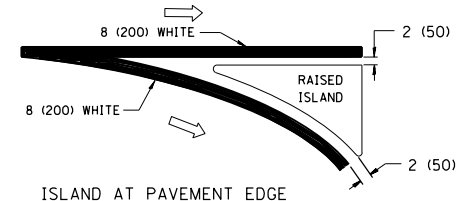
**TYPICAL LEFT (OR RIGHT) TURN LANE TYPICAL TURN LANE MARKING**

FULL SIZE LETTERS 8' (2.4 m) AND ARROWS SHALL BE USED. AREA = 15.6 SQ. FT. (1.5 m<sup>2</sup>) ONLY AREA = 20.8 SQ. FT. (1.9 m<sup>2</sup>)

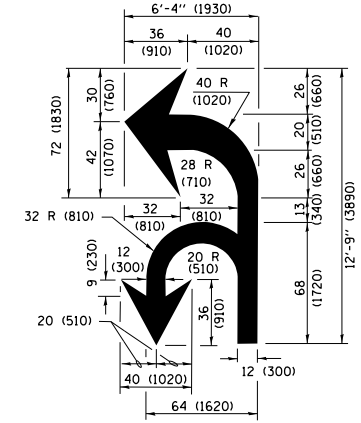
\* TURN LANES IN EXCESS OF 400' (120 m) IN LENGTH MAY HAVE AN ADDITIONAL SET OF ARROW - "ONLY" INSTALLED MIDWAY BETWEEN THE OTHER TWO SETS OF ARROW - "ONLY".



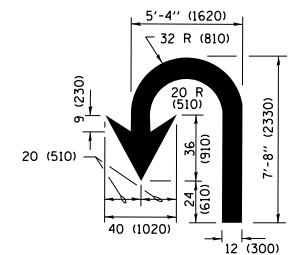
**ISLAND OFFSET FROM PAVEMENT EDGE**



**ISLAND AT PAVEMENT EDGE TYPICAL ISLAND MARKING**



**COMBINATION LEFT AND U-TURN**



**U-TURN**

**LANE REDUCTION TRANSITION**

\* LANE REDUCTION ARROWS REQUIRED AT SPEEDS OF 45 MPH OR GREATER OR WHEN SPECIFIED IN PLANS.

D(FT)	SPEED LIMIT
345	30
425	35
500	40
580	45
665	50
750	55

TYPE OF MARKING	WIDTH OF LINE	PATTERN	COLOR	SPACING /REMARKS
CENTERLINE ON 2 LANE PAVEMENT	4 (100)	SKIP-DASH	YELLOW	10' (3 m) LINE WITH 30' (9 m) SPACE
CENTERLINE ON MULTI-LANE UNDIVIDED PAVEMENT	2 @ 4 (100)	SOLID	YELLOW	11 (280) C-C
NO PASSING ZONE LINES FOR ONE DIRECTION FOR BOTH DIRECTIONS	4 (100) 2 @ 4 (100)	SOLID SOLID	YELLOW YELLOW	5 1/2 (140) C-C FROM SKIP-DASH CENTERLINE 11 (280) C-C OMIT SKIP-DASH CENTERLINE BETWEEN
LANE LINES	4 (100) 5 (125) ON FREEWAYS	SKIP-DASH SKIP-DASH	WHITE WHITE	10' (3 m) LINE WITH 30' (9 m) SPACE
DOTTED LINES (EXTENSIONS OF CENTER, LANE OR TURN LANE MARKINGS)	SAME AS LINE BEING EXTENDED	SKIP-DASH	SAME AS LINE BEING EXTENDED	2' (600) LINE WITH 6' (1.8 m) SPACE
EDGE LINES	4 (100)	SOLID	YELLOW-LEFT WHITE-RIGHT	OUTLINE MEDIANS IN YELLOW
TURN LANE MARKINGS	6 (150) LINE; FULL SIZE LETTERS & SYMBOLS (8' (2.4m))	SOLID	WHITE	SEE TYPICAL TURN LANE MARKING DETAIL
TWO WAY LEFT TURN MARKING	2 @ 4 (100) EACH DIRECTION 8' (2.4m) LEFT ARROW	SKIP-DASH AND SOLID IN PAIRS	YELLOW WHITE	10' (3 m) LINE WITH 30' (9 m) SPACE FOR SKIP-DASH; 5 1/2 (140) C-C BETWEEN SOLID LINE AND SKIP-DASH LINE SEE TYPICAL TWO-WAY LEFT TURN MARKING DETAIL
CROSSWALK LINES (PEDESTRIAN) A. DIAGONALS (BIKE & EQUESTRIAN) B. LONGITUDINAL BARS (SCHOOL)	2 @ 6 (150) 12 (300) @ 45° 12 (300) @ 90°	SOLID SOLID SOLID	WHITE WHITE WHITE	NOT LESS THAN 6' (1.8 m) APART 2' (600) APART 2' (600) APART SEE TYPICAL CROSSWALK MARKING DETAILS.
STOP LINES	24 (600)	SOLID	WHITE	PLACE 4' (1.2 m) IN ADVANCE OF AND PARALLEL TO CROSSWALK, IF PRESENT, OTHERWISE, PLACE AT DESIRED STOPPING POINT, PARALLEL TO CROSSROAD CENTERLINE, WHERE POSSIBLE.
PAINTED MEDIANS	2 @ 4 (100) WITH 12 (300) DIAGONALS @ 45° NO DIAGONALS USED FOR 4' (1.2 m) WIDE MEDIANS	SOLID	YELLOW; TWO WAY TRAFFIC WHITE; ONE WAY TRAFFIC	11 (280) C-C FOR THE DOUBLE LINE SEE TYPICAL PAINTED MEDIAN MARKING.
GORE MARKING AND CHANNELIZING LINES	8 (200) WITH 12 (300) DIAGONALS @ 45°	SOLID	WHITE	DIAGONALS: 15' (4.5 m) C-C (LESS THAN 30MPH (50 km/h)) 20' (6 m) C-C 30MPH (50 km/h) TO 45MPH (70 km/h) 30' (9 m) C-C (OVER 45MPH (70 km/h))
RAILROAD CROSSING	24 (600) TRANSVERSE LINES; "RR" IS 6' (1.8 m) LETTERS; 16 (400) LINE FOR "X"	SOLID	WHITE	SEE STATE STANDARD 780001 AREA OF: "R"=3.6 SQ. FT. (0.33 m <sup>2</sup> ) EACH "X"=54.0 SQ. FT. (5.0 m <sup>2</sup> )
SHOULDER DIAGONALS (REQUIRED FOR SHOULDERS ≥ 8')	12 (300) @ 45°	SOLID	WHITE - RIGHT YELLOW - LEFT	50' (15 m) C-C (LESS THAN 30MPH (50 km/h)) 75' (22.5 m) C-C (30 MPH (50 km/h) TO 45MPH (70 km/h)) 150' (45 m) C-C (OVER 45MPH (70 km/h))
U TURN ARROW	SEE DETAIL	SOLID	WHITE	16.3 SF
2 ARROW COMBINATION LEFT AND U TURN	SEE DETAIL	SOLID	WHITE	30.4 SF

FOR FURTHER DETAILS ON PAVEMENT MARKING REFER TO STANDARD SPECIFICATIONS FOR ROAD AND BRIDGE CONSTRUCTION AND STATE STANDARD 780001.

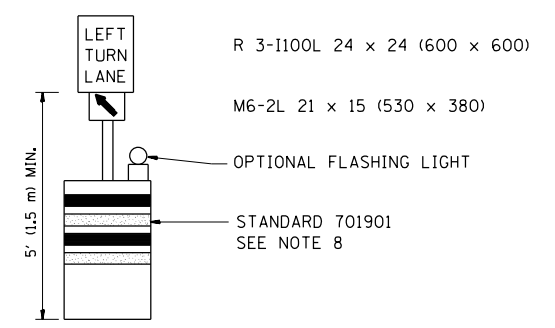
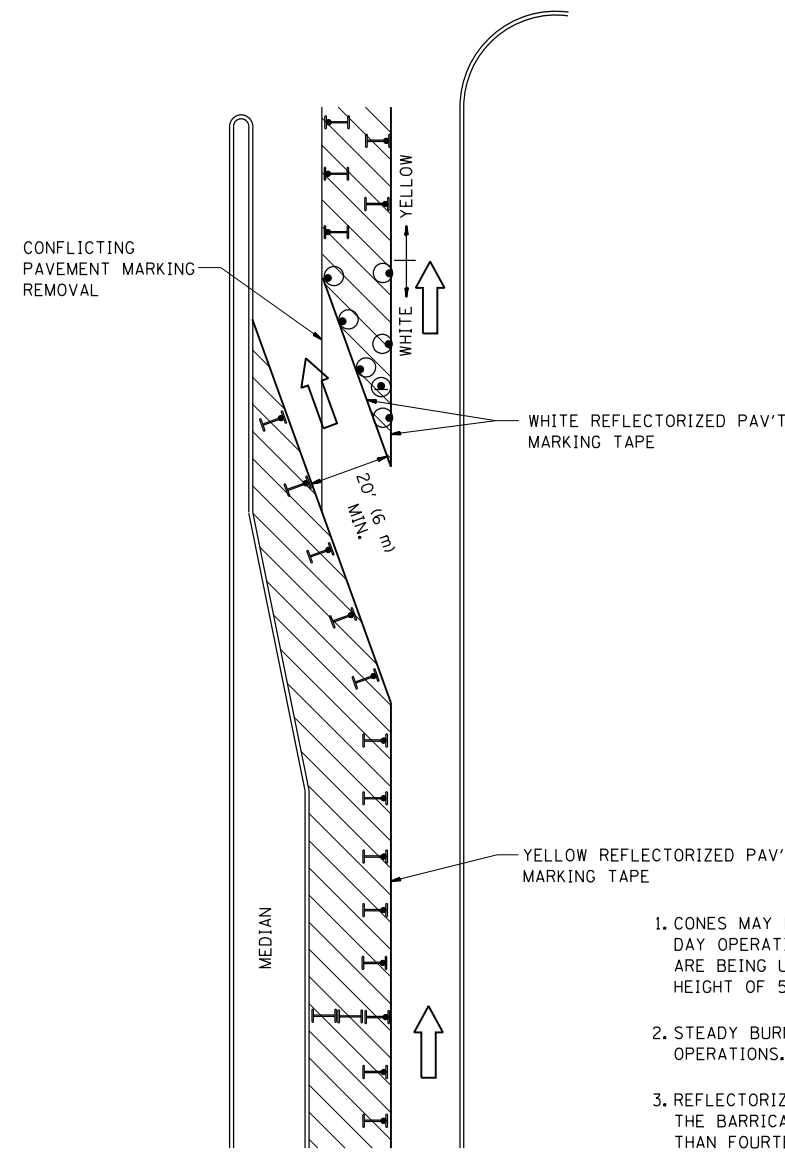
All dimensions are in inches (millimeters) unless otherwise shown.

FILE NAME =	USER NAME = hassann	DESIGNED - EVERS	REVISED - T. RAMMACHER 10-27-94
pw\1\084EBIDINTEG\11\inois.gov\PI\DOT\Documents\DOT Offices\District 1\Projects\PI14\Drawings\Design\DistStd.dgn		CHECKED -	REVISED - C. JUCIUS 09-09-09
Default	PLOT SCALE = 100.0000' / in.	DATE - 03-19-90	REVISED - C. JUCIUS 07-01-13
	PLOT DATE = 3/29/2016		REVISED - C. JUCIUS 12-21-15

**STATE OF ILLINOIS DEPARTMENT OF TRANSPORTATION**

<b>DISTRICT ONE TYPICAL PAVEMENT MARKINGS</b>			
SCALE: NONE	SHEET 1 OF 1 SHEETS	STA. TO STA.	

F.A.P. RTE.	SECTION	COUNTY	TOTAL SHEETS	SHEET NO.
870	534-1-N	WILL	62	54
<b>TC-13</b>		<b>CONTRACT NO. 60X59</b>		
ILLINOIS FED. AID PROJECT				

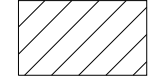
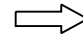
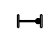


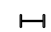


**GENERAL NOTES**

1. CONES MAY BE SUBSTITUTED FOR BARRICADES OR DRUMS AT HALF THE SPACING DURING DAY OPERATIONS. CONES SHALL BE A MINIMUM OF 28 (710) IN HEIGHT. WHEN CONES ARE BEING USED, THE "LEFT TURN LANE" SIGN MAY BE SKID MOUNTED AT A MINIMUM HEIGHT OF 5' (1.5 m).
2. STEADY BURNING LIGHTS WILL NOT BE REQUIRED ON BARRICADES OR DRUMS FOR DAY OPERATIONS. ALL LIGHTS SHALL BE MONODIRECTIONAL.
3. REFLECTORIZED TEMPORARY PAVEMENT MARKING TAPE SHALL BE PLACED THROUGHOUT THE BARRICADED AREA OF EACH TURN BAY WHERE THE CLOSURE TIME IS GREATER THAN FOURTEEN DAYS.
4. THIS APPLICATION ALSO APPLIES WHEN WORK IS BEING PERFORMED IN THE RIGHT LANE(S) AND THE RIGHT TURN BAY IS TO REMAIN OPEN. UNDER THIS CONDITION, "RIGHT TURN LANE" R3-100 24 x 24 (600 x 600) AND M6-2R 21 x 15 (530 x 380) SHALL BE USED.
5. THESE CONTROLS SHALL SUPPLEMENT MAINLINE TRAFFIC CONTROL FOR LANE CLOSURES.
6. LONGITUDINAL DIMENSIONS MAY BE ADJUSTED TO FIT FIELD CONDITIONS.
7. FORM OPER 725 IS REQUIRED.
8. IF A DRUM OR TYPE II BARRICADE WITH AN ATTACHED SIGN PANEL WHICH MEETS NCHRP 350 REQUIREMENTS IS NOT AVAILABLE, THE SIGNS SHALL BE MOUNTED, ABOVE THE BARRICADES, ON SEPARATE SIGNS SUPPORTS THAT MEET NCHRP 350 PREQUIREMENTS.
9. TRAFFIC CONTROL AND PROTECTION AT TURN BAYS (TO REMAIN OPEN TO TRAFFIC) SHALL BE INCLUDED IN THE COST SPECIFIED TRAFFIC CONTROL STANDARDS OR ITEMS.

All dimensions are in inches (millimeters) unless otherwise shown.

**LEGEND**

-  WORK AREA
-  LANE OPEN TO TRAFFIC
-  TYPE I OR II BARRICADE WITH STEADY BURN LIGHT
-  DRUM WITH STEADY BURN LIGHT
-  DRUM WITH SIGN (WITH OPTIONAL FLASHING LIGHT) SEE DETAIL
-  TYPE I OR II CHECK BARRICADE WITH FLASHING LIGHT

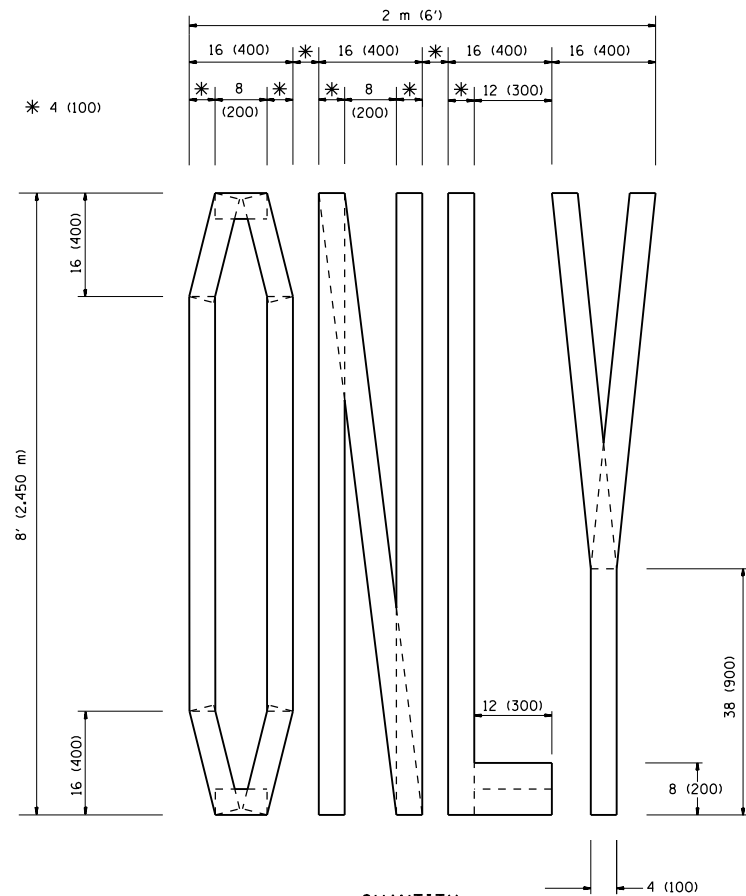
FILE NAME =	USER NAME = hassann	REVISED -T. RAMMACHER 09-08-94	REVISED - R. BORO 09-14-09
pw:\IL\084EBIDINTEG\illinois.gov\PI\DOT\Documents\DOT Offices\District 1\Projects\PI14	DESIGNER = A. HOUSEH 10-07-95	REVISED - A. HOUSEH 10-12-96	REVISED -
	PLOT SCALE = 100.0000' / in.	REVISED -T. RAMMACHER 01-06-00	REVISED -
	PLOT DATE = 3/29/2016		

**STATE OF ILLINOIS  
DEPARTMENT OF TRANSPORTATION**

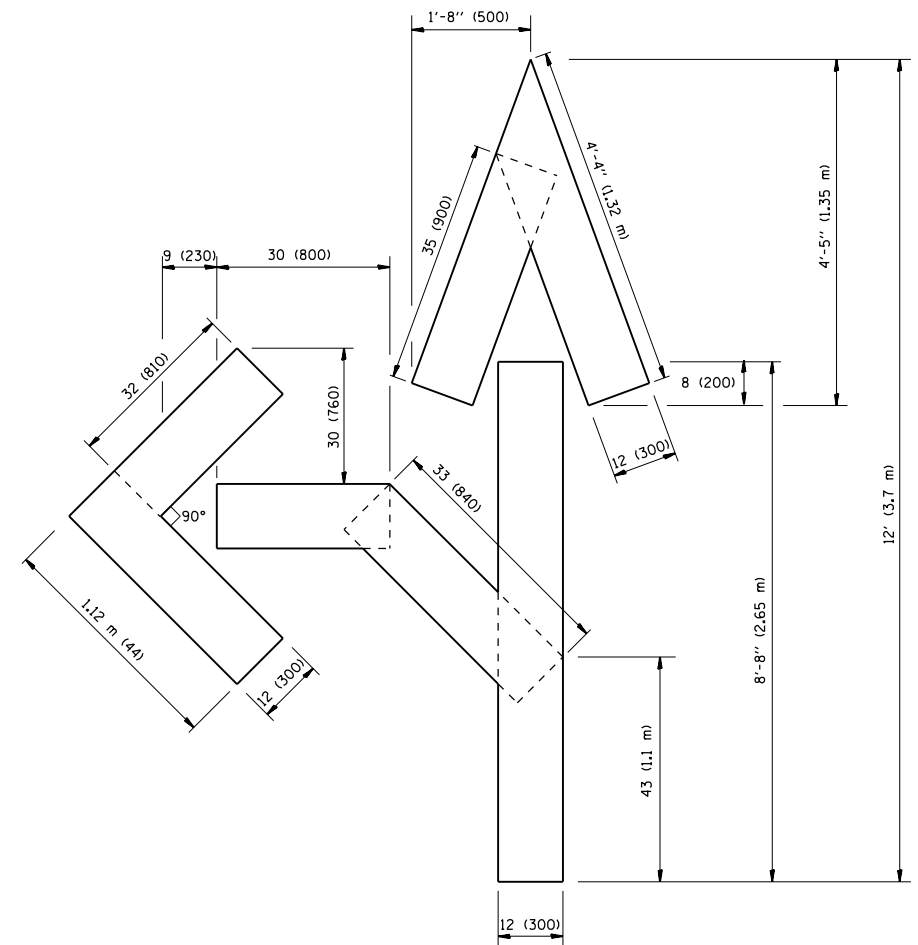
TRAFFIC CONTROL AND PROTECTION AT TURN BAYS (TO REMAIN OPEN TO TRAFFIC)			
SCALE: NONE	SHEET NO. 1 OF 1 SHEETS	STA.	TO STA.

F.A.P. RTE.	SECTION	COUNTY	TOTAL SHEETS	SHEET NO.
870	534-1-N	WILL	62	55
TC-14		CONTRACT NO. 60X59		
FED. ROAD DIST. NO. 1 ILLINOIS FED. AID PROJECT				

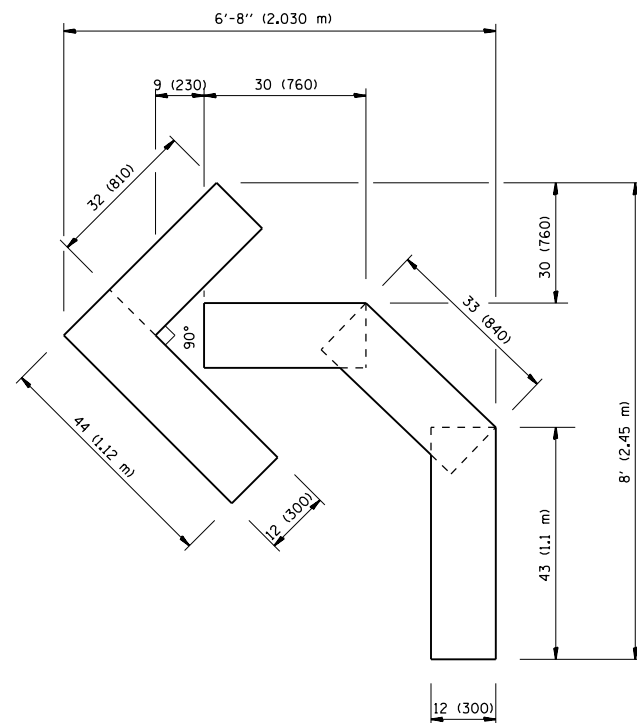




QUANTITY  
 4 (100) LINE = 64.1 ft. (19.7 m)  
 21.1 sq. ft. (1.97 sq. m)



QUANTITY  
 4 (100) LINE = 82.5 ft. (25.3 m)  
 27.5 sq. ft. (2.53 sq. m)



QUANTITY  
 4 (100) LINE = 45.5 ft. (13.9 m)  
 15.2 sq. ft. (1.39 sq. m)

All dimensions are in inches (millimeters) unless otherwise shown.

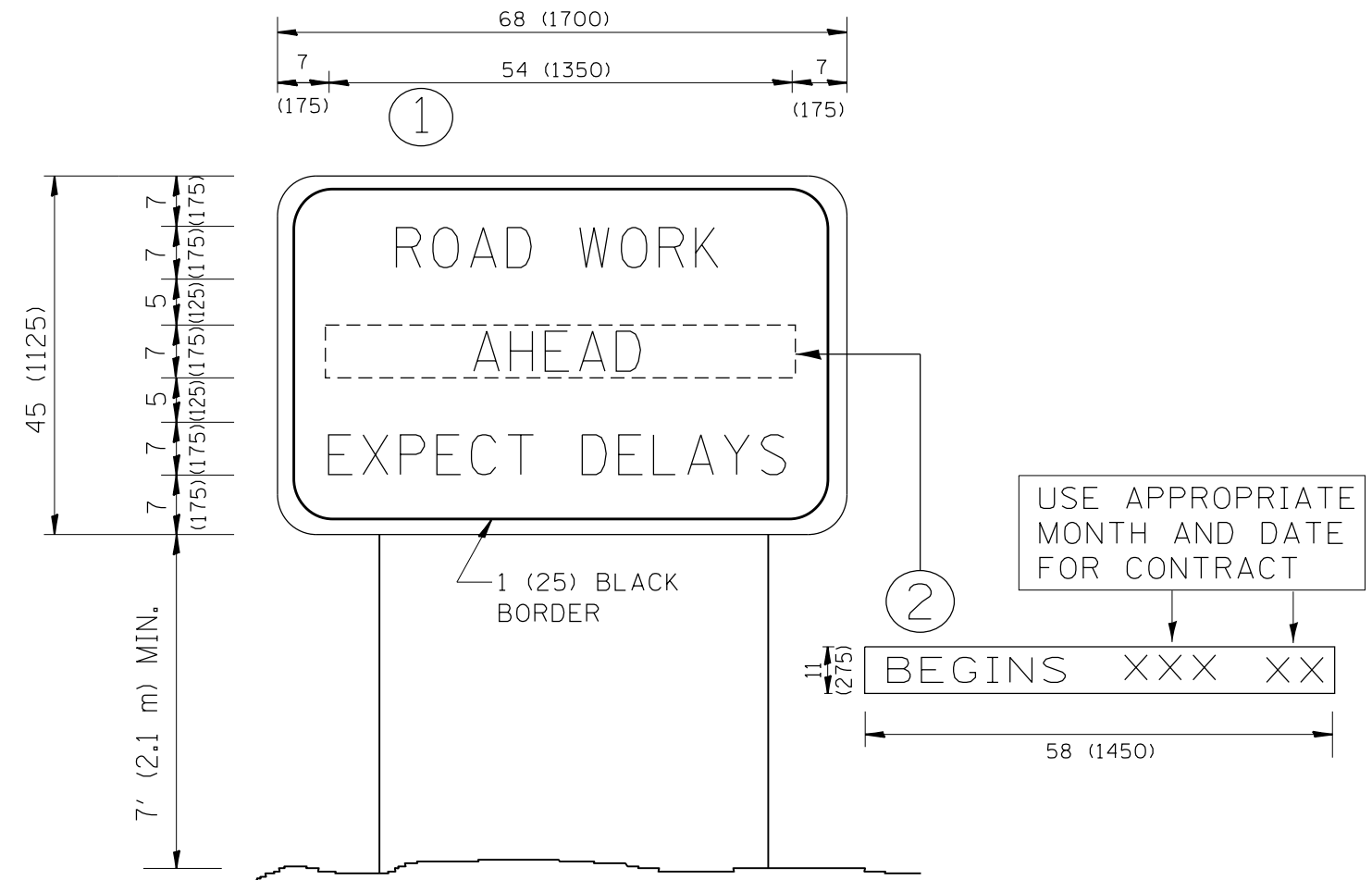
FILE NAME =	USER NAME = hassann	DESIGNED -	REVISED -T. RAMMACHER 06-05-96
p:\11\084EBIDINTEG.illinois.gov\PWIDOT\Documents\DOT Offices\District 1\Projects\PI14\Drawings\Design\DistStd.dgn		DRAWN -	REVISED -T. RAMMACHER 11-04-97
PLOT SCALE = 100.0000' / 1in.		CHECKED -	REVISED -T. RAMMACHER 03-02-98
PLOT DATE = 3/29/2016		DATE - 09-18-94	REVISED -E. GOMEZ 08-28-00

STATE OF ILLINOIS  
 DEPARTMENT OF TRANSPORTATION

PAVEMENT MARKING LETTERS AND SYMBOLS  
 FOR TRAFFIC STAGING

SCALE: NONE SHEET NO. 1 OF 1 SHEETS STA. TO STA.

F.A.P. RTE.	SECTION	COUNTY	TOTAL SHEETS	SHEET NO.
870	534-1-N	WILL	62	56
TC-16			CONTRACT NO. 60X59	
FED. ROAD DIST. NO. 1 ILLINOIS FED. AID PROJECT				



**NOTES:**

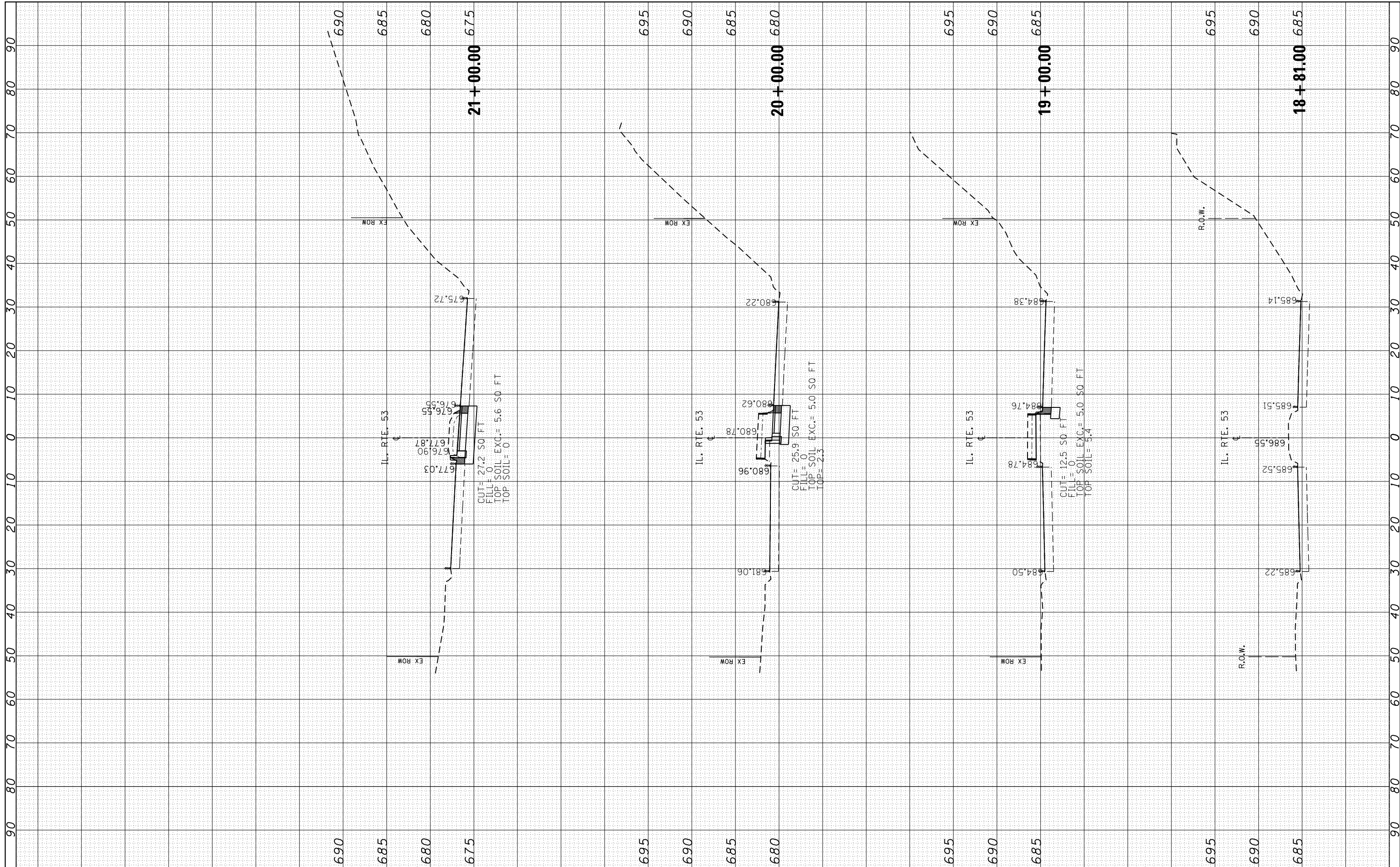
1. USE BLACK LETTERING ON ORANGE BACKGROUND.
2. ERECT SIGNS IN ADVANCE OF THE LOCATION FOR THE "ROAD CONSTRUCTION AHEAD" SIGN AT LOCATIONS AS DIRECTED BY THE ENGINEER.
3. ERECT SIGN ① WITH INSTALLED PANEL ② ONE WEEK PRIOR TO THE START OF CONSTRUCTION.
4. REMOVE PANEL ② SOON AFTER THE START OF CONSTRUCTION.
5. SEE SPECIAL PROVISION FOR "TEMPORARY INFORMATION SIGNING" FOR ADDITIONAL INFORMATION.
6. ONE SIGN ASSEMBLY EQUALS 25.70 SQ. FT. (2.3 SQ. M.)
7. SHALL BE PAID FOR AS TEMPORARY INFORMATION SIGNING.

ALL DIMENSIONS ARE IN INCHES (MILLIMETERS) UNLESS OTHERWISE SHOWN.

FILE NAME =	USER NAME = hassann	DESIGNED -	REVISED - R. MIRS 09-15-97	<b>STATE OF ILLINOIS DEPARTMENT OF TRANSPORTATION</b>	<b>ARTERIAL ROAD INFORMATION SIGN</b>	F.A.P. RTE.	SECTION	COUNTY	TOTAL SHEETS	SHEET NO.
pw:\IL\084EBIDINTEG.illinois.gov\PWIDOT\Documents\DOT Offices\District 1\Projects\PI14\Drawings\Design\DistStd.dgn			REVISED - R. MIRS 12-11-97			870	534-1-N	WILL	62	57
PLOT SCALE = 100.0000' / 1in.	CHECKED -	REVISED - T. RAMMACHER 02-02-99				<b>TC-22</b>		<b>CONTRACT NO. 60X59</b>		
PLOT DATE = 3/29/2016	DATE -	REVISED - C. JUCIUS 01-31-07	SCALE: NONE			SHEET NO. 1 OF 1 SHEETS	STA.	TO STA.	FED. ROAD DIST. NO. 1   ILLINOIS FED. AID PROJECT	

FINAL SURVEY NO.	SURVEYED PLOTTED AREAS CHECKED	BY	DATE

ORIGINAL SURVEY NO.	SURVEYED PLOTTED AREAS CHECKED	BY	DATE



FILE NAME = p:\11\084EBIDINTEG\Illinois.gov\PIDOT\Documents\DOT Offices\District 1\Projects\P114312\CADD\DRAWING\PH4312-shr-xssht-IL53.dgn

USER NAME = hassan  
 PLOT SCALE = 20.0000' / in.  
 PLOT DATE = 3/31/2016

DESIGNED -  
 CHECKED -  
 DATE -

REVISED -  
 REVISED -  
 REVISED -  
 REVISED -

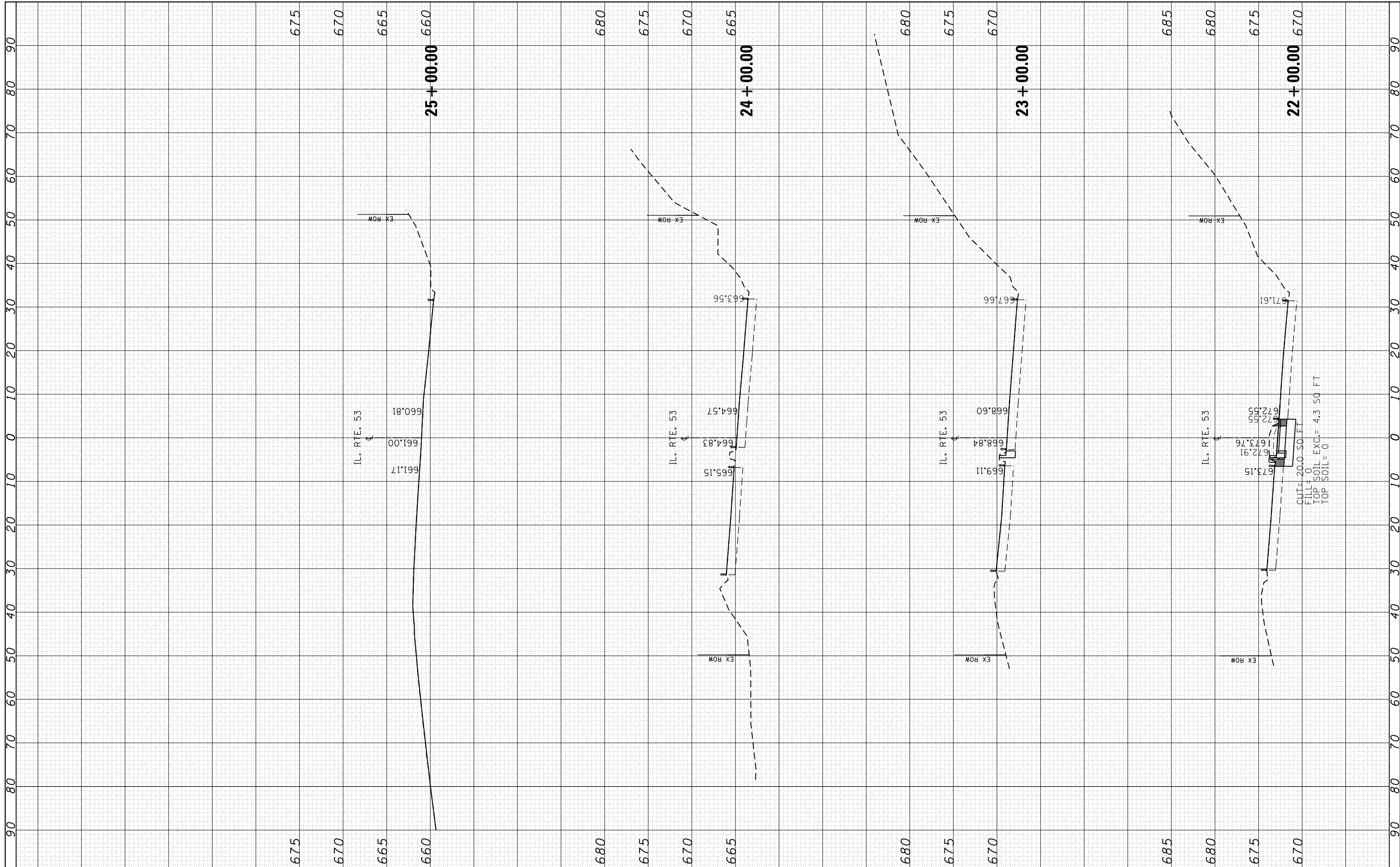
**STATE OF ILLINOIS  
 DEPARTMENT OF TRANSPORTATION**

**CROSS SECTIONS  
 IL. ROUTE 53 AT ROYCE RD.**  
 SCALE: SHEET OF SHEETS STA. 18+81.00 TO STA. 21+00.00

F.A.P. RTE.	SECTION	COUNTY	TOTAL SHEETS	SHEET NO.
870	534-1-N	WILL	62	58
CONTRACT NO. 60X59			ILLINOIS FED. AID PROJECT	

FINAL SURVEY	SURVEYED	BY	DATE
NOTE BOOK NO.	PLOTTED TEMPLATE AREAS CHECKED		

ORIGINAL SURVEY	SURVEYED	BY	DATE
NOTE BOOK NO.	PLOTTED TEMPLATE AREAS CHECKED		



FILE NAME =	USER NAME = hassan	DESIGNED -	REVISED -
p:\114312\CADD\DRAWING\PH4312-shr-xssht-IL53.dgn	DOT Offices\District 1\Projects\P114312\CADD\DRAWING\PH4312-shr-xssht-IL53.dgn	DRAWN -	REVISED -
Default	PLOT SCALE = 20.0000' / in.	CHECKED -	REVISED -
	PLOT DATE = 3/31/2016	DATE -	REVISED -

**STATE OF ILLINOIS  
DEPARTMENT OF TRANSPORTATION**

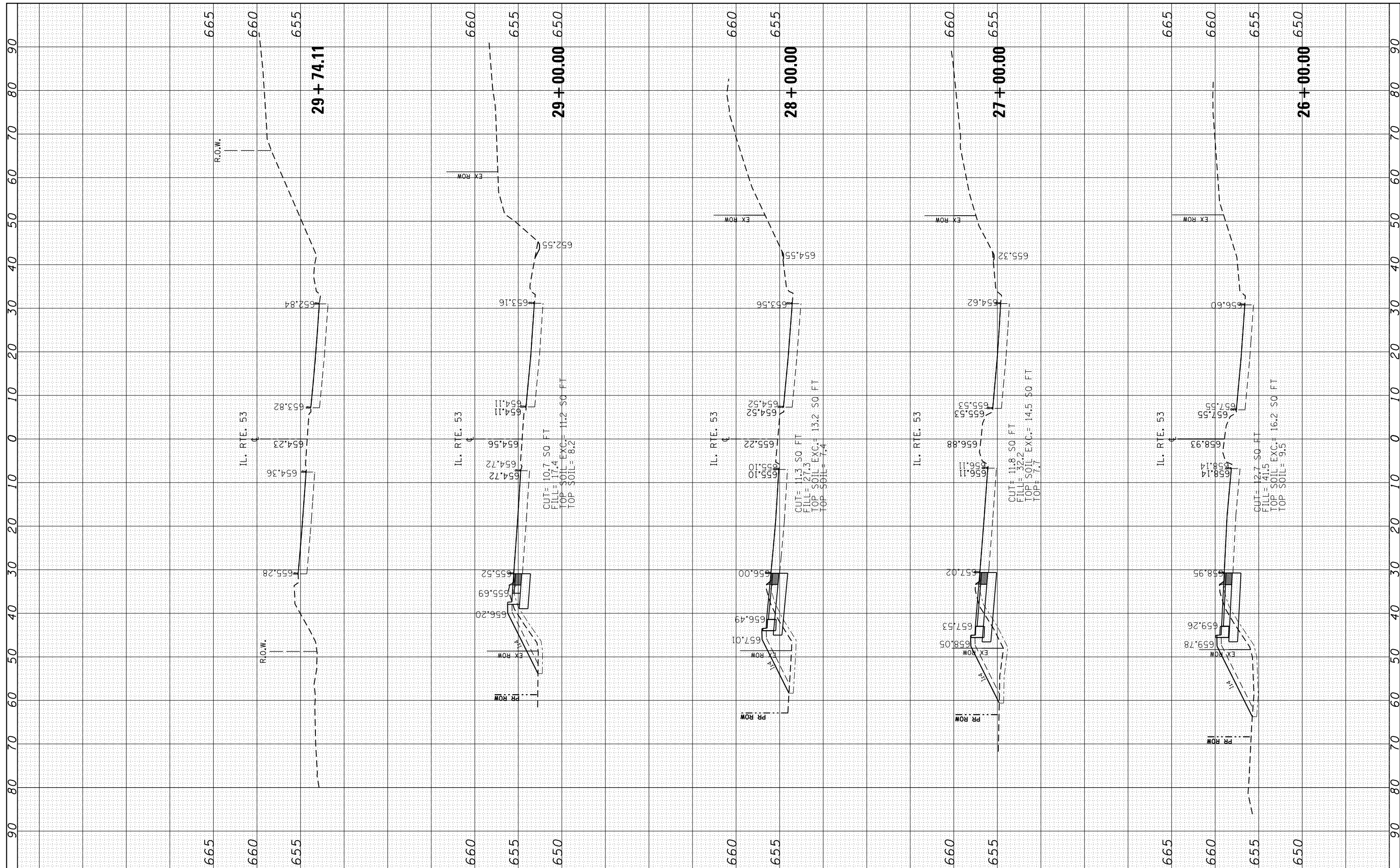
**CROSS SECTIONS  
IL. ROUTE 53 AT ROYCE RD.**

SCALE: SHEET OF SHEETS STA. 22+00.00 TO STA. 25+00.00

F.A.P. RTE.	SECTION	COUNTY	TOTAL SHEETS	SHEET NO.
870	534-1-N	WILL	62	59
CONTRACT NO. 60X59			ILLINOIS FED. AID PROJECT	

FINAL SURVEY NO.	SURVEYED PLOTTED TEMPLATE AREAS CHECKED	BY	DATE

ORIGINAL SURVEY NO.	SURVEYED PLOTTED TEMPLATE AREAS CHECKED	BY	DATE



FILE NAME = p:\il084EBIDINTEG\Illinois.gov\PIDOT\Documents\DOT Offices\District 1\Projects\P114312\CADD\Drawings\PH4312-sht-xsst-IL53.dgn

USER NAME = hassann  
 DESIGNED -  
 CHECKED -  
 DATE - 3/31/2016

REVISOR -  
 REVISOR -  
 REVISOR -

**STATE OF ILLINOIS  
 DEPARTMENT OF TRANSPORTATION**

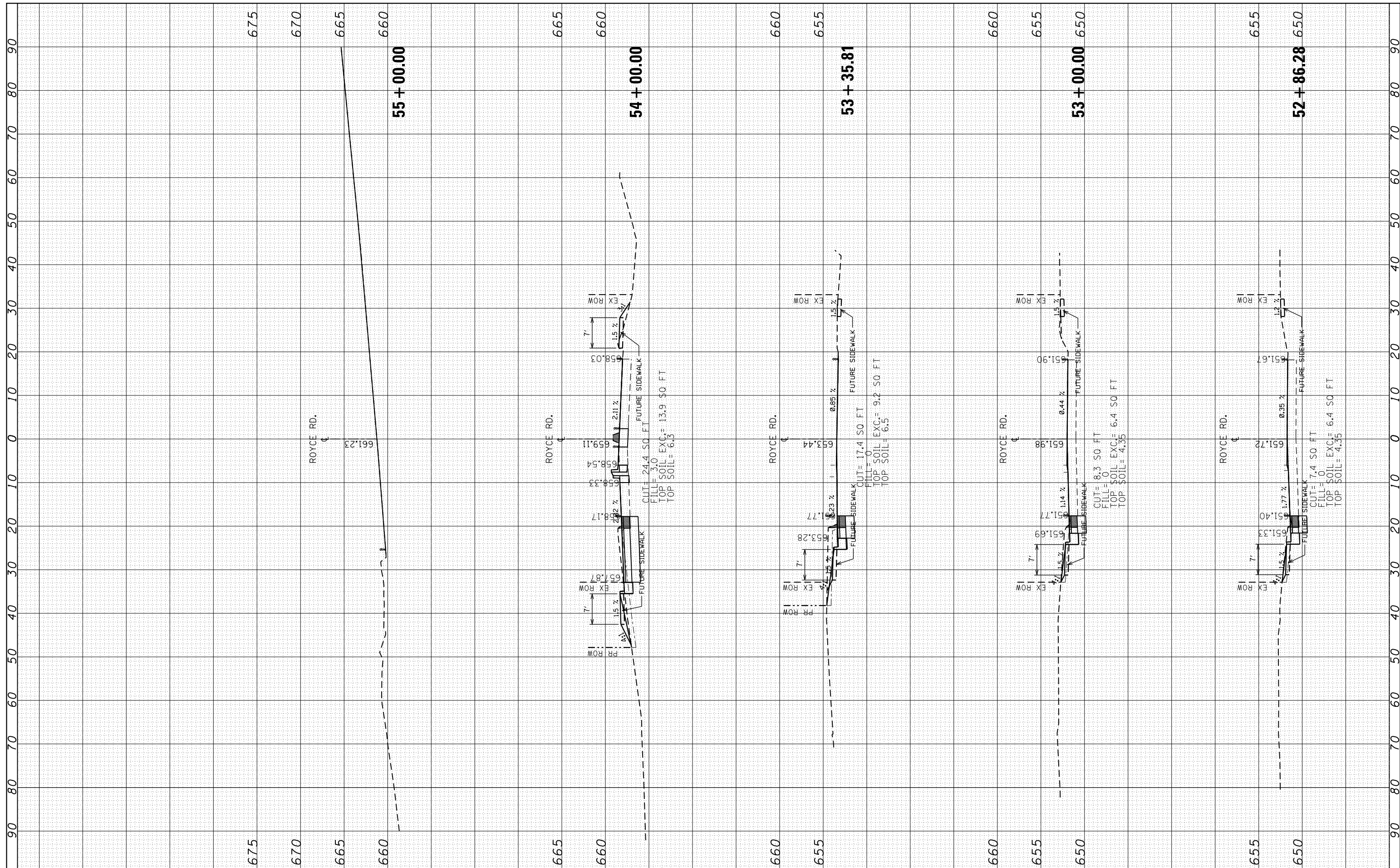
**CROSS SECTIONS  
 IL. ROUTE 53 AT ROYCE RD.**

SCALE: SHEET OF SHEETS STA. 26+00.00 TO STA. 29+74.11

F.A.P. RTE. 870	SECTION 534-1-N	COUNTY WILL	TOTAL SHEETS 62	SHEET NO. 60
CONTRACT NO. 60X59			ILLINOIS FED. AID PROJECT	

FINAL SURVEY	SURVEYED	BY	DATE
NOTE BOOK NO.	PLOTTED		
	TEMPLATE		
	AREAS CHECKED		

ORIGINAL SURVEY	SURVEYED	BY	DATE
NOTE BOOK NO.	PLOTTED		
	TEMPLATE		
	AREAS CHECKED		



FILE NAME = p:\11\084EBIDINTEG\Illinois.gov\PWIDOT\Documents\DOT Offices\District 1\Projects\P114312\CADD\Drawings\PH4312-sht-xssht-Royce.dgn  
 USER NAME = hassann  
 PLOT SCALE = 20.0000' / in.  
 PLOT DATE = 3/31/2016

DESIGNED -	REVIS
CHECKED -	REVIS
DATE -	REVIS

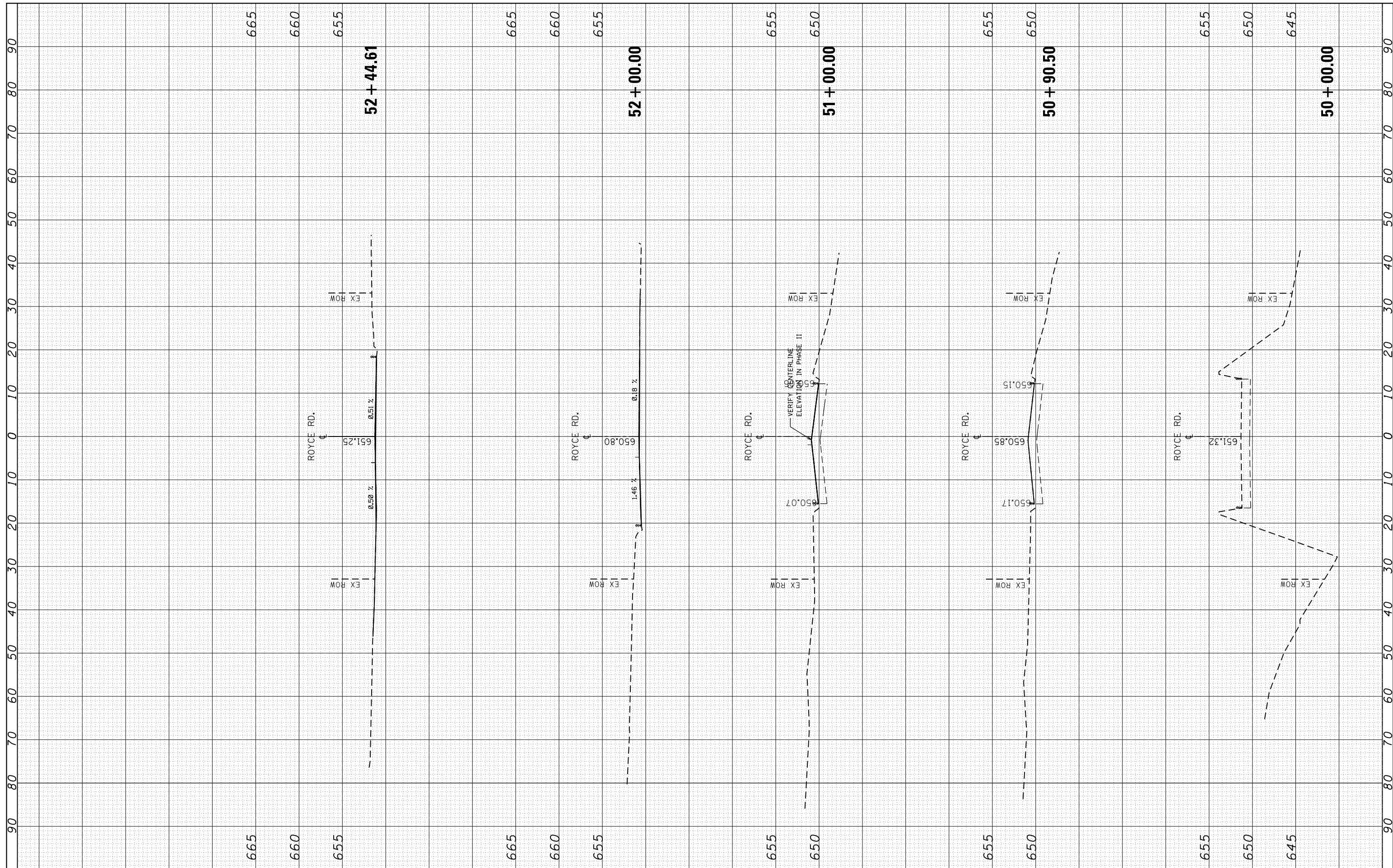
**STATE OF ILLINOIS  
DEPARTMENT OF TRANSPORTATION**

**CROSS SECTIONS  
ROYCE RD. AT IL. ROUTE 53**  
 SCALE: SHEET OF SHEETS STA. 52+86.28 TO STA. 55+00.00

F.A.P. RTE.	SECTION	COUNTY	TOTAL SHEETS	SHEET NO.
870	534-1-N	WILL	62	61
CONTRACT NO. 60X59			ILLINOIS FED. AID PROJECT	

FINAL SURVEY	SURVEYED	BY	DATE
NOTE BOOK NO.	PLOTTED		
	TEMPLATE		
	AREAS CHECKED		

ORIGINAL SURVEY	SURVEYED	BY	DATE
NOTE BOOK NO.	PLOTTED		
	TEMPLATE		
	AREAS CHECKED		



FILE NAME = p:\11084EBIDINTEG\Illinois.gov\PIDOT\Documents\DOT Offices\District 1\Projects\P114312\CADD\Drawings\PH4312-sht-xssht-Royce.dgn

USER NAME = hassan  
 DESIGNED -  
 CHECKED -  
 DATE - 3/31/2016

REVISOR -  
 REVISOR -  
 REVISOR -  
 REVISOR -

**STATE OF ILLINOIS  
 DEPARTMENT OF TRANSPORTATION**

**CROSS SECTIONS  
 ROYCE RD. AT IL. ROUTE 53**

SCALE: 1" = 40.0000' / in. SHEET 5 OF 5 SHEETS STA. 50+00.00 TO STA. 52+44.61

F.A.P. RTE.	SECTION	COUNTY	TOTAL SHEETS	SHEET NO.
870	534-1-N	WILL	62	62
CONTRACT NO. 60X59			ILLINOIS FED. AID PROJECT	