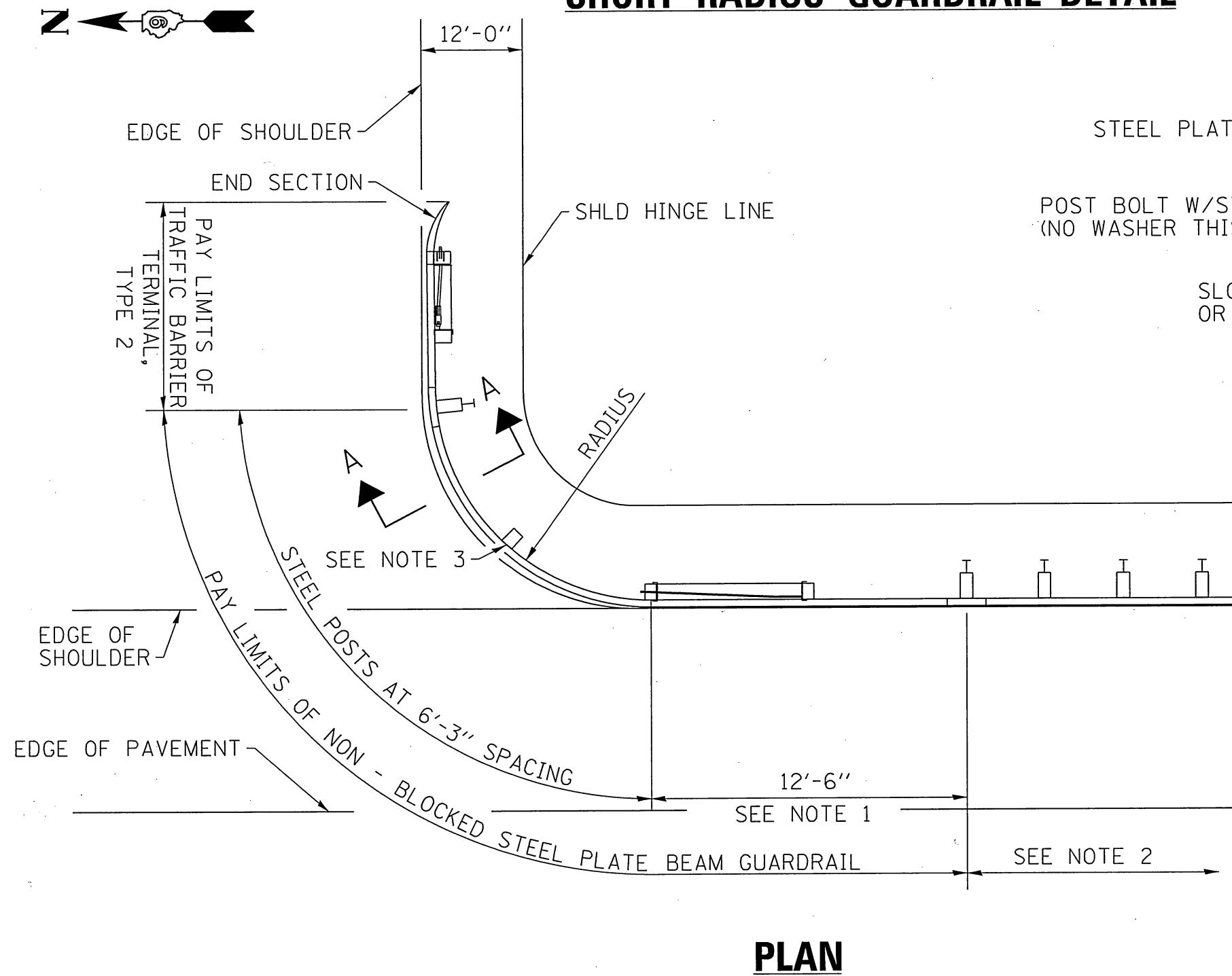
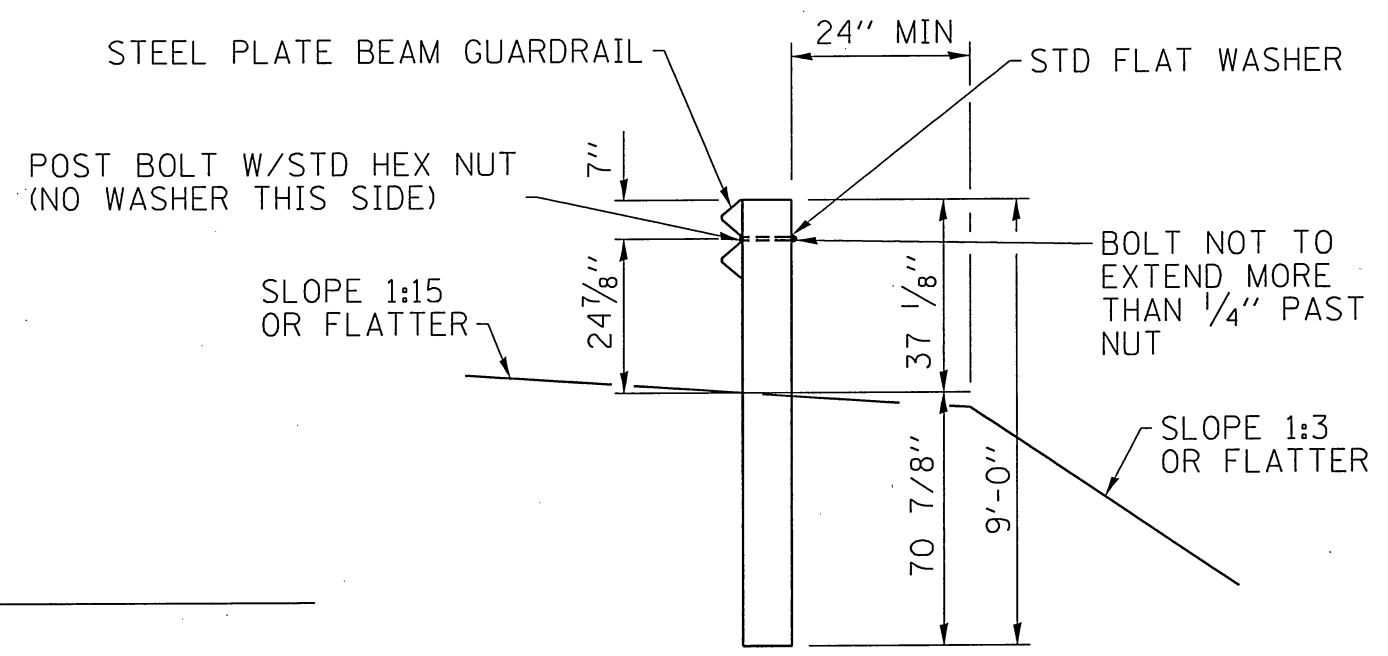


SHORT RADIUS GUARDRAIL DETAIL



PLAN



SECTION A-A

NOTES

1. CONSTRUCT ACCORDING TO STANDARD 631011 FOR TRAFFIC BARRIER TERMINAL TYPE 2, EXCEPT DELETE END SECTION AND SPLICE INTO RADIUS GUARDRAIL.
2. STEEL PLATE BEAM GUARDRAIL TYPE A, OR TRAFFIC BARRIER TERMINAL AS SPECIFIED.
3. THE RAIL IS NOT BOLTED TO THE POST LOCATED AT THE MIDPOINT OF THE CURVE.

REVISOR: [Symbol] REVISED SHEET 1-4-2018

MODEL: Default
FILE NAME: E:\MILLBERRY\INTEG\Illinois\gov\PIV\DOT\Documents\DOT_Offices\SubSite_9\Projects\18592\Cadd\at\CA\Sheet\18592_Sht.dgn

USER NAME = kirbyea	DESIGNED -	REVISED -
PLOT SCALE = 100.0000' / in.	DRAWN -	*REVISED -
PLOT DATE = 1/2/2018	CHECKED -	*REVISED -
	DATE -	REVISED -

STATE OF ILLINOIS
DEPARTMENT OF TRANSPORTATION

SHORT RADIUS GUARDRAIL DETAIL	
SCALE:	SHEET OF SHEETS STA. TO STA.

F.A.P. RTE.	SECTION	COUNTY	TOTAL SHEETS	SHEET NO.
726	130(RS-5,SR-1)	WILLIAMSON	33	32
CONTRACT NO. 78592				
ILLINOIS FED. AID PROJECT				