

ROUTE	SECTION	COUNTY	TOTAL SHEETS	SHEET NUMBER
VARIOUS	2005-044 I	WILL	12	5

Jackson Street Bridge
 S/N: 099-0239
 Jackson Street /Des Plaines River

Sheet 1 of 2

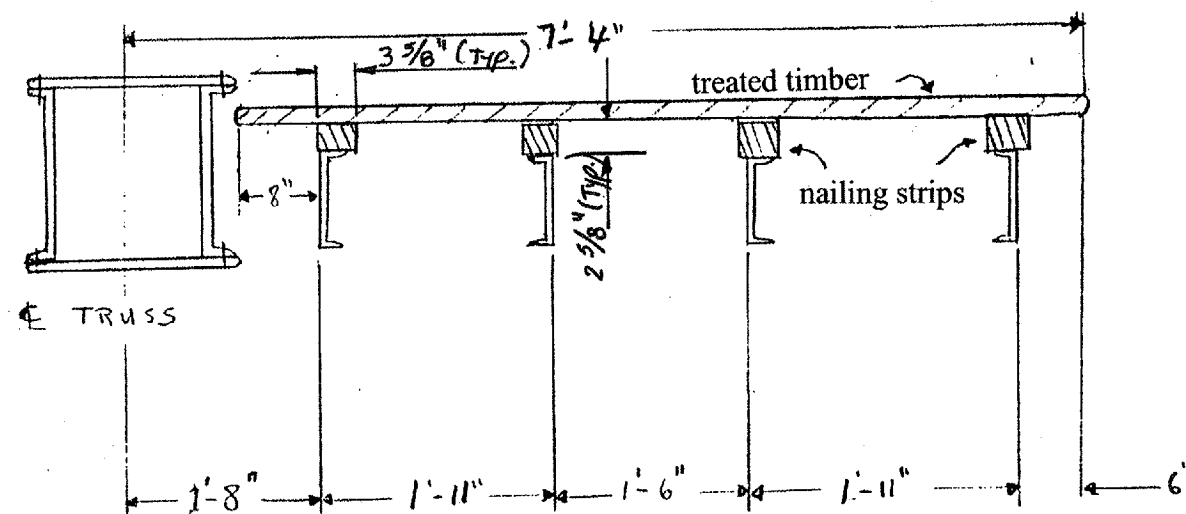
Timber Sidewalk Replacement Notes

- Use 3" x 4" Treated Timber Nailing Strip surfaced to 2-5/8" x 3-5/8". Secure nailing strip to sidewalk stringers with 5/8" x 4" long galvanized carriage head bolts at 2'-0" on center using existing holes in channel stringers. Beveled washers are required on channels.
- Use 2" x 10" Treated Timber deck planks for sidewalk surface. Use 3-1/2" long stainless steel deck screws to attach planks to nailing strip. Leave 1/8" gap between planks.

ITEM	UNIT	QUANTITY
TIMBER SIDEWALK REMOVAL AND REPLACEMENT	LUMP SUM	.26

APPROXIMATE QUANTITIES
 TIMBER = 600 FBM
 HARDWARE = 550 POUND

NOTE: ONLY ONE SIDEWALK SHALL BE CLOSED AT A TIME



View of cross-section of timber sidewalk.

Schedule of Quantities Needed -

- 2" x 10" x 7' treated timbers = 300 each
- 2" x 10" x 10' treated timbers = 60 each
- 2" x 10" x 12' treated timbers = 60 each
- 3" x 4" (2-5/8" x 3-5/8") x 16' treated timbers = 88 each
- 5/8" x 4" carriage bolts & nuts = 730 each
- 5/8" diameter bevel head washers = 730 each
- 3-1/2" long stainless steel deck screws = 75 lbs.

ILLINOIS DEPARTMENT OF TRANSPORTATION
 TIMBER SIDEWALK REPLACEMENT
 DETAIL
 LOC 1 (SN 099-0239)
 JACKSON ST BRIDGE