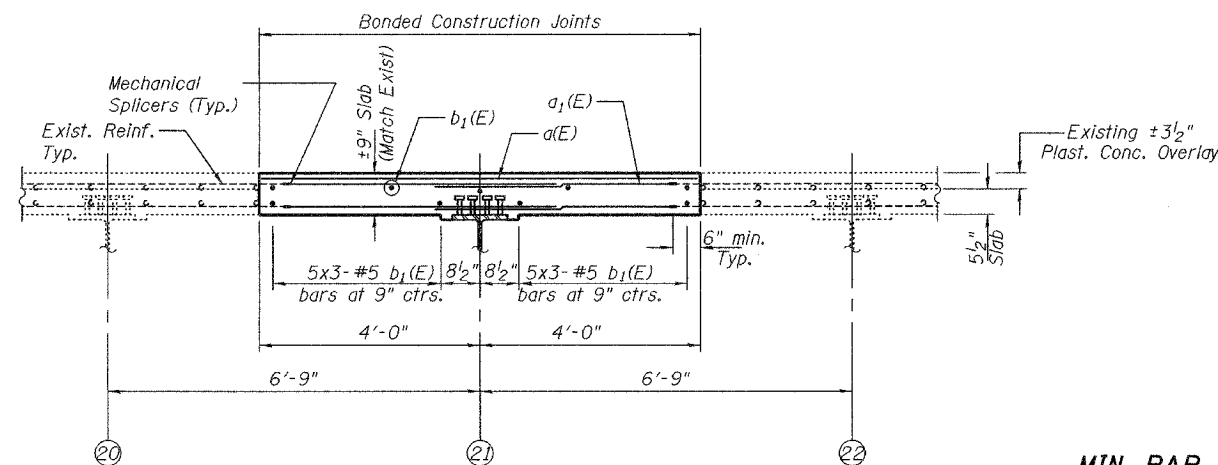
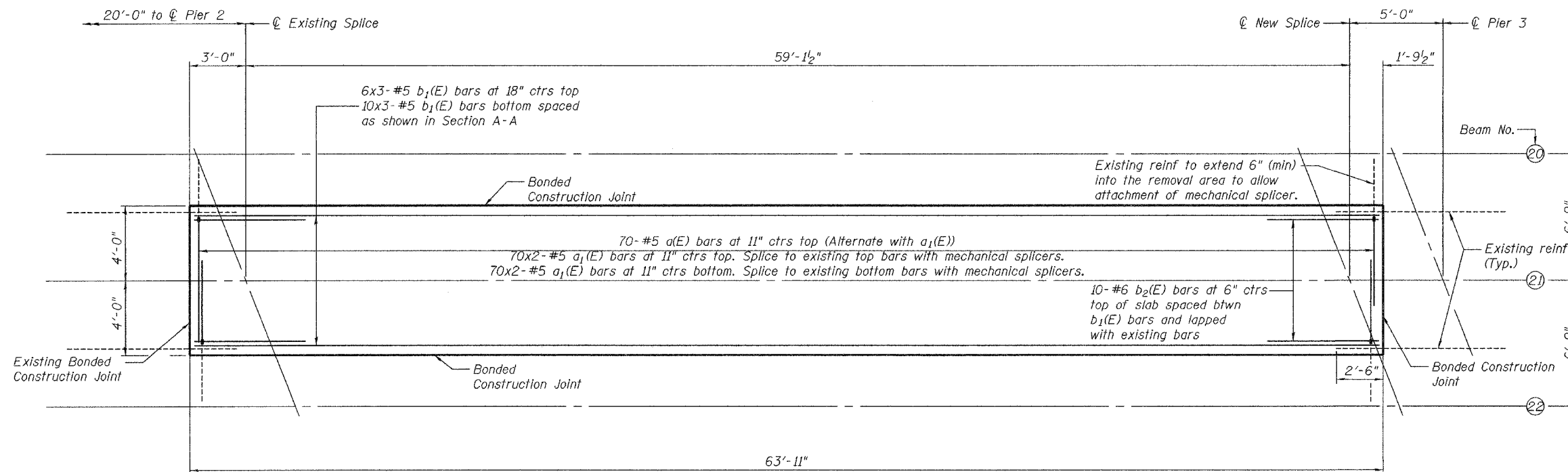


STATE OF ILLINOIS
DEPARTMENT OF TRANSPORTATION

ROUTE NO.	SECTION	COUNTY	SHEET NO.	SHEET NO.
		Cook	14	7
FED. ROAD DIST. NO. 7	ILLINOIS	FED. AID PROJECT-		5 SHEETS

Contract Number: 60A60



BILL OF MATERIAL

Bar	No.	Size	Length	Shape
a(E)	70	#5	7'-7"	
a1(E)	280	#5	5'-0"	
b1(E)	48	#5	22'-9"	
b2(E)	10	#6	5'-11"	
Mechanical Splicers			Each	280
Concrete Removal			Cu. Yd.	14.2
Concrete Superstructure			Cu. Yd.	14.2
Reinforcement Bars, Epoxy Coated			Lbs.	3,240

Reinforcement bars designated (E) shall be epoxy coated.
Bars indicated thus 13 x 3-#4 etc. indicates 13 lines of bars with 3 lengths per line.

MIN. BAR LAPS
#5 Bar = 2'-2"

DESIGNED	S.J.B.
CHECKED	V.H.V.
DRAWN	Drew Christopher
CHECKED	S.J.B. V.H.V.

EXAMINED	November 9, 2005
PASSED	John A. Morris ENGINEER OF STRUCTURAL SERVICES
	Ralph E. Anderson ENGINEER OF BRIDGES AND STRUCTURES

BRIDGE REPAIRS
CONCRETE REMOVAL & REPLACEMENT DETAILS
F.A.I. 55 SEC. 207-0708
COOK COUNTY
S.N. 016-0316