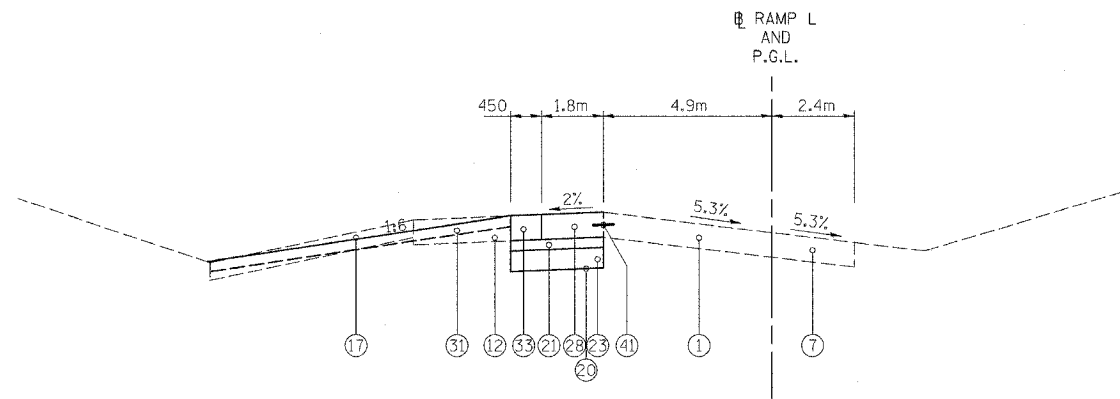


F.A.I. RTE.	SECTION	COUNTY	TOTAL SHEETS	SHEET NO.
80/94	*	COOK	231	21
STA.	TO STA.			
FED. ROAD DIST. NO. 1	ILLINOIS	FED. AID PROJECT		
*(0203.1 & 0304) R-6		CONTRACT * 62105		

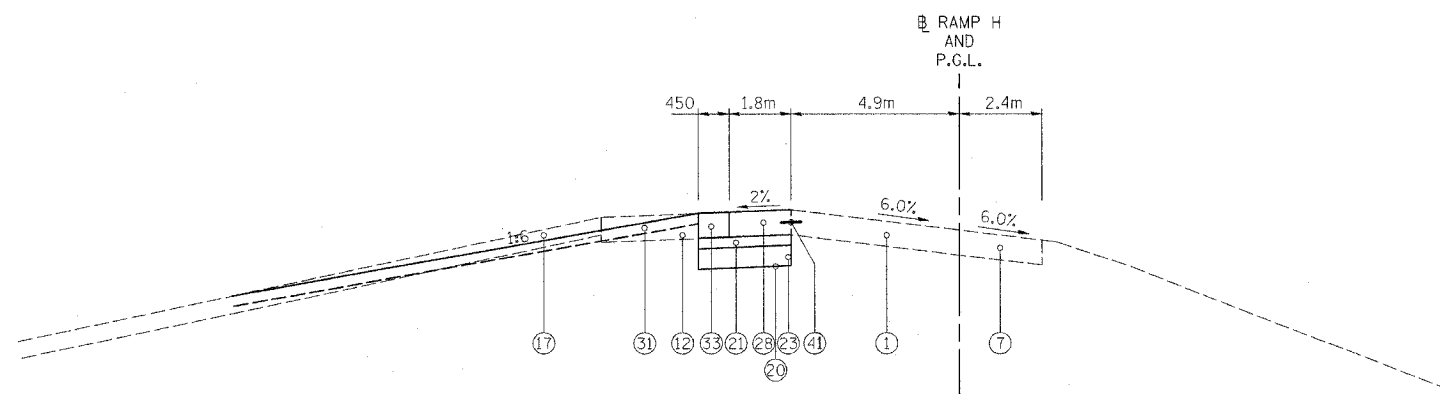
LEGEND

- ITEM TO BE CONSTRUCTED TO EXTENDED LIFE CONCRETE PAVEMENT SPECIFICATIONS
- ① EXISTING PAVEMENT
- ② EXISTING JOINTED CONCRETE PAVEMENT, 250 MM
- ③ EXISTING SHOULDER
- ④ EXISTING SELECTED SUBGRADE, 250 MM
- ⑤ EXISTING CONCRETE GUTTER, TYPE G-3
- ⑥ EXISTING PAVEMENT (150 MM BITUMINOUS OVERLAY, 275 MM CONCRETE)
- ⑦ EXISTING SHOULDER (SEE NOTE 6)
- ⑧ EXISTING GUARDRAIL
- ⑨ EXISTING CONCRETE BARRIER
- ⑩ EXISTING COMBINATION CURB AND GUTTER
- ⑪ EXISTING MECHANICALLY STABILIZED EARTH RETAINING WALL
- ⑫ PAVEMENT REMOVAL/PAVEMENT BREAKING, 425mm
- ⑬ PAVED SHOULDER REMOVAL, (SEE NOTE 6)
- ⑭ COMBINATION CURB AND GUTTER REMOVAL
- ⑮ GUARDRAIL REMOVAL
- ⑯ CONCRETE BARRIER & BASE REMOVAL
- ⑰ REMOVAL AND DISPOSAL OF UNSUITABLE MATERIAL
- ⑱ EARTH EXCAVATION
- ⑲ PROPOSED EMBANKMENT (SEE NOTE 7)
- ⑳ PROPOSED GEOTECHNICAL FABRIC FOR GROUND STABILIZATION □
- ㉑ PROPOSED STABILIZED SUBBASE (SAM), 100 MM
- ㉒ PROPOSED STABILIZED SUBBASE, 150 MM □
- ㉓ PROPOSED AGGREGATE SUBGRADE, 300 MM
- ㉔ NOT USED
- ㉕ PROPOSED PIPE UNDERDRAINS, 150 MM
- ㉖ PROPOSED CONTINUOUSLY REINFORCED PORTLAND CEMENT CONCRETE PAVEMENT, 360 MM □
- ㉗ PROPOSED PORTLAND CEMENT CONCRETE PAVEMENT (JOINTED), 280MM
- ㉘ PROPOSED PORTLAND CEMENT CONCRETE SHOULDERS, 280 MM
- ㉙ PROPOSED PORTLAND CEMENT CONCRETE SHOULDERS, 360 MM □
- ㉚ PROPOSED CONCRETE GUTTER, TYPE A (MODIFIED)
- ㉛ TOPSOIL FURNISH AND PLACE, 150 MM
- ㉜ PROPOSED SUBBASE GRANULAR MATERIAL, TYPE B, 300 MM □
- ㉝ PROPOSED AGGREGATE SHOULDERS, TYPE B, 280 MM
- ㉞ PROPOSED AGGREGATE SHOULDERS, TYPE B, 360 MM
- ㉟ PROPOSED CONCRETE BARRIER, SINGLE FACE, 1065 HEIGHT, REINFORCED
- ㊱ PROPOSED CONCRETE BARRIER, DOUBLE FACE, 815 HEIGHT
- ㊲ PROPOSED CONCRETE BARRIER, DOUBLE FACE, 1065 HEIGHT
- ㊳ PROPOSED CONCRETE BARRIER BASE
- ㊴ PROPOSED STEEL PLATE BEAM GUARDRAIL
- ㊵ PROPOSED PORTLAND CEMENT CONCRETE STABILIZATION 150 MM AT STEEL PLATE BEAM GUARDRAIL
- ㊶ PAVEMENT TO SHOULDER (LONGITUDINAL JOINT) *20 TIE BAR (EPOXY COATED) DRILL & GROUT 600mm LONG @ 600mm C-C
- ㊷ PAVEMENT TO PAVEMENT (LONGITUDINAL SAWED JOINT) *20 TIE BAR (EPOXY COATED) 750mm LONG @ 750mm C-C
- OR
- PAVEMENT TO PAVEMENT (LONGITUDINAL CONSTRUCTION JOINT) *25 TIE BAR (EPOXY COATED) DRILL & GROUT 600mm LONG @ 600mm C-C
- ㊸ TEMPORARY CONCRETE BARRIER REMOVAL
- ㊹ PROPOSED DITCH
- ㊺ BARRIER BASE OPEN JOINT (PJF)



PROPOSED TYPICAL SECTION

STA. 160+205.492 TO STA. 160+325.300 RAMP L



PROPOSED TYPICAL SECTION

STA. 130+750.000 TO STA. 130+882.000 RAMP H

NOTES

1. ALL DIMENSIONS ARE IN MILLIMETERS UNLESS OTHERWISE NOTED.
2. FOR EXACT LIMITS OF REMOVAL ITEMS SEE EXISTING PLANS.
3. FOR OFFSET AND ELEVATIONS FOR PROPOSED GRADING SEE PROPOSED CROSS SECTIONS.
4. TIE BARS WILL BE MEASURED ACCORDING TO ARTICLE 508.07.
5. OFFSET TO SLOPE BREAK AS SHOWN ON CROSS SECTIONS
6. SHOULDER CORE INFORMATION IS AVAILABLE FROM IDOT.
7. EXTENDED LIFE EMBANKMENT IS SHOWN WHERE APPLICABLE. □

"CRC REINFORCEMENT CHART ON STANDARD 421001 SHALL BE MODIFIED AS FOLLOWS:

PAVEMENT WIDTH	A	B	C	D
3.6m	26 SPACES (27 BARS) AT 132mm	90mm	75mm	660mm
4.2m	31 SPACES (32 BARS) AT 130mm	90mm	75mm	660mm
4.9m	35 SPACES (36 BARS) AT 135mm	95mm	85mm	660mm

THE REINFORCEMENT SHALL BE 115mm FROM THE TOP OF PAVEMENT

MIXTURE DESIGN TABLE

TS-6

REVISIONS		ILLINOIS DEPARTMENT OF TRANSPORTATION F.A.I. ROUTE 80/94 (INTERSTATE 80/294)
NAME	DATE	
		TYPICAL SECTIONS
		DRAWN BY: CTT CHECKED BY: RCH
		DATE: JULY 18, 2005
		McDonough Associates Inc. Engineers / Architects