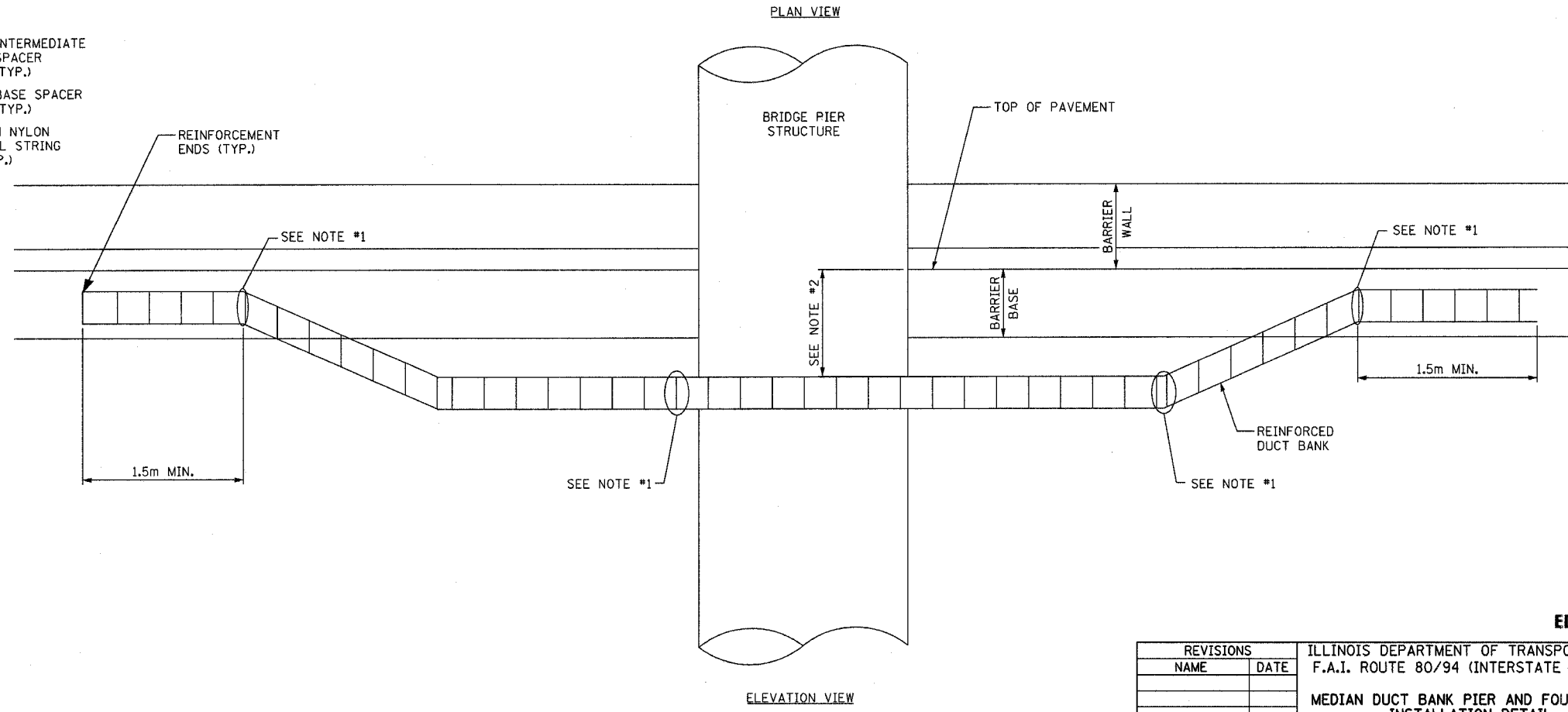
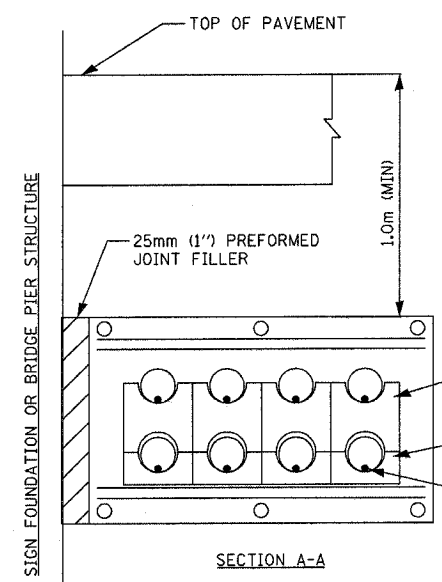
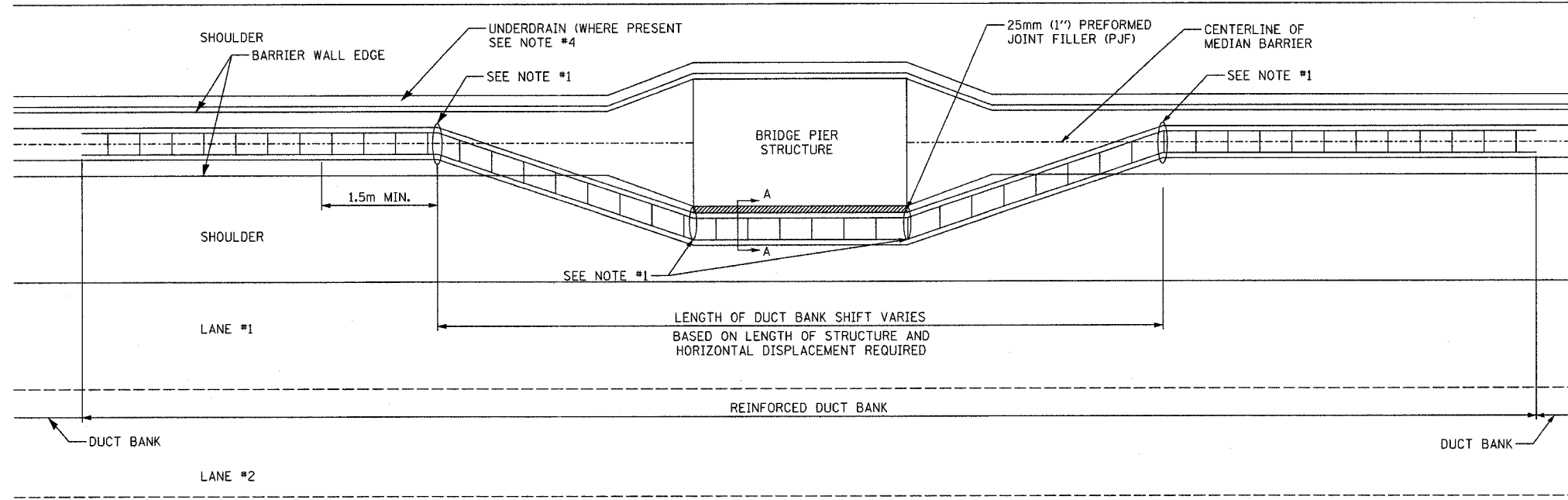


F.A.I. RTE.	SECTION	COUNTY	TOTAL SHEETS	SHEET NO.
80/94	*	COOK	231	157
STA.		TO STA.		
FED. ROAD DIST. NO. 1		ILLINOIS FED. AID PROJECT		
*(0203.1 & 0304) R-6		CONTRACT # 62105		



- NOTES:**
1. BEND IN DUCT SHALL BE NO GREATER THAN 11.25 DEGREES.
 2. DUCT UNDER STRUCTURE MUST BE NO LESS THAN 1.0m BELOW GRADE.
 3. DETAIL IS TYPICAL. REFER TO PLAN DRAWINGS FOR APPLICABLE LOCATIONS AND STRUCTURE DIMENSIONS.
 4. COORDINATE DUCT BANK LOCATION WITH DRAINAGE STRUCTURES.

ED16-2

REVISIONS		ILLINOIS DEPARTMENT OF TRANSPORTATION F.A.I. ROUTE 80/94 (INTERSTATE 80/294) MEDIAN DUCT BANK PIER AND FOUNDATION INSTALLATION DETAIL
NAME	DATE	
		SCALE: No scale DATE: JULY 18, 2005
		DRAWN BY: MB CHECKED BY: KMY
		McDonough Associates Inc. Engineers / Architects