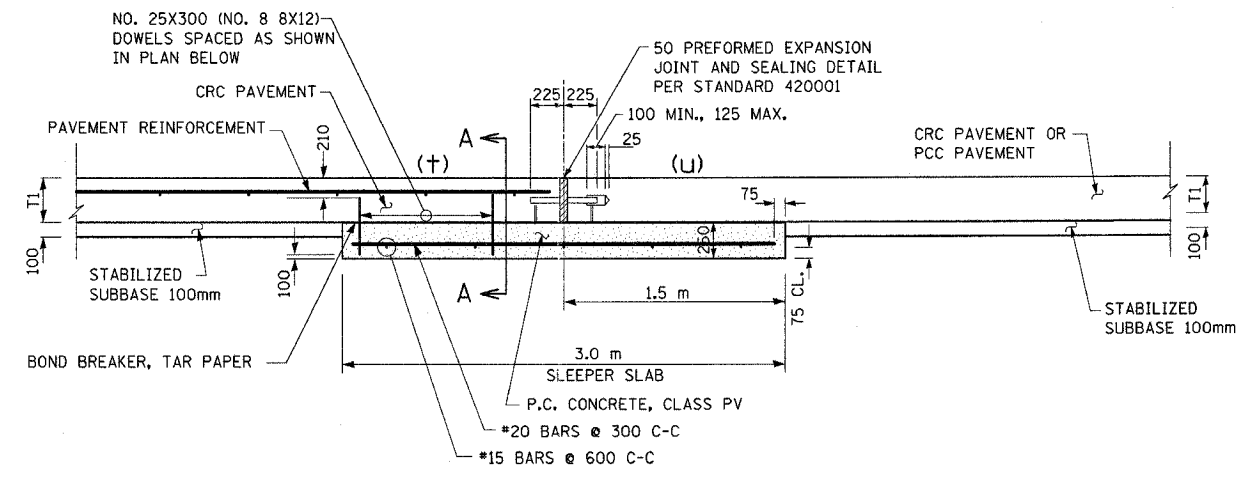
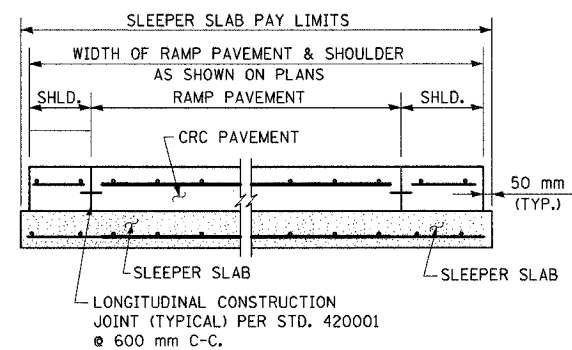


F.A.I. RTE.	SECTION	COUNTY	TOTAL SHEETS	SHEET NO.
80/94	*	COOK	231	160
STA.	TO STA.			
FED. ROAD DIST. NO. 1	ILLINOIS FED. AID PROJECT			
*10203.1 & 0304 R-6			CONTRACT # 62105	

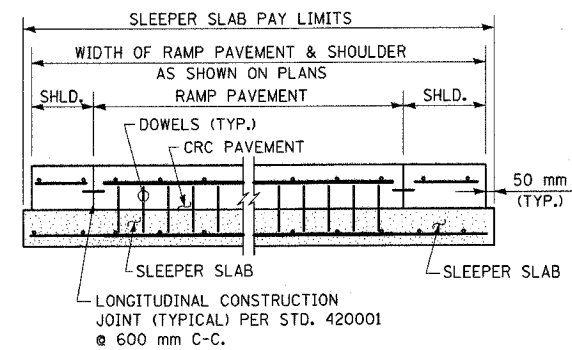


SLEEPER SLAB DETAIL

FOR INFORMATION ONLY



SECTION A-A
NOT TIED TO SLEEPER SLAB
(CRC TO PCC PAVEMENT ONLY)



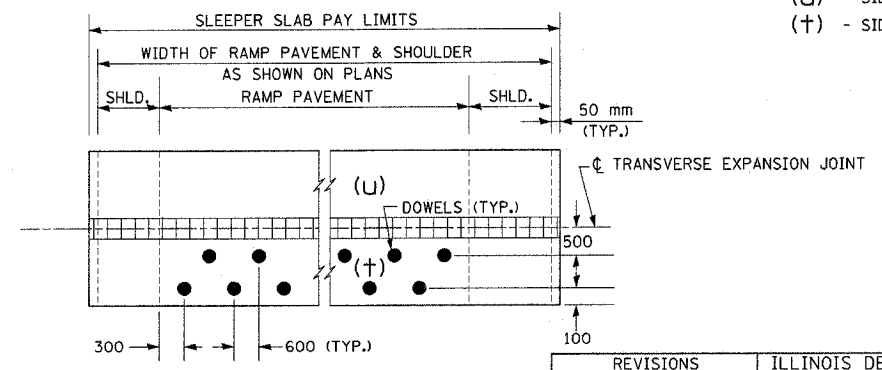
SECTION A-A
TIED TO SLEEPER SLAB
(CRC TO CRC PAVEMENT ONLY)

NOTES:

1. THE SLEEPER SLAB SHALL BE PAID FOR AT THE CONTRACT UNIT PRICE PER METER FOR "SLEEPER SLAB" WHICH PRICE SHALL INCLUDE FURNISHING AND PLACING PC CONCRETE, REINFORCEMENT, BOND BREAKER, DOWEL BARS, AND EXPANSION JOINT AS SHOWN.
2. ALL REINFORCEMENT SHALL BE IN ACCORDANCE WITH APPLICABLE PORTIONS OF SECTION 508 OF THE STANDARD SPECIFICATIONS.
3. DOWEL BARS SHALL BE EPOXY COATED OR PLASTIC COATED AND SHALL BE IN ACCORDANCE WITH APPLICABLE PORTIONS OF SECTION 420 OF THE STANDARD SPECIFICATIONS.
4. CONCRETE PADS AT BRIDGE APPROACH PAVEMENT AND PC CONCRETE BRIDGE APPROACH SHOULDER PAVEMENT SHALL NOT BE PAID UNDER THE ITEM "SLEEPER SLAB" IN ACCORDANCE WITH ART. 420.23.
5. CONCRETE PADS AT TRANSVERSE TERMINAL JOINTS SHALL NOT BE PAID UNDER THE ITEM "SLEEPER SLAB".

LEGEND

- (U) - SIDE OF JOINT TIED TO SLEEPER
- (+) - SIDE OF JOINT NOT TIED TO SLEEPER



PLAN

ALL DIMENSIONS IN MILLIMETERS UNLESS OTHERWISE SHOWN.

REVISIONS	
NAME	DATE

MD-1

ILLINOIS DEPARTMENT OF TRANSPORTATION
F.A.I. ROUTE 80/94 (INTERSTATE 80/294)
SLEEPER SLAB DETAIL AND
MISCELLANEOUS JOINT
DETAILS (FOR INFORMATION ONLY)

DATE: JULY 18, 2005
DRAWN BY: CTT
CHECKED BY: RCH

McDonough Associates Inc.
Engineers / Architects