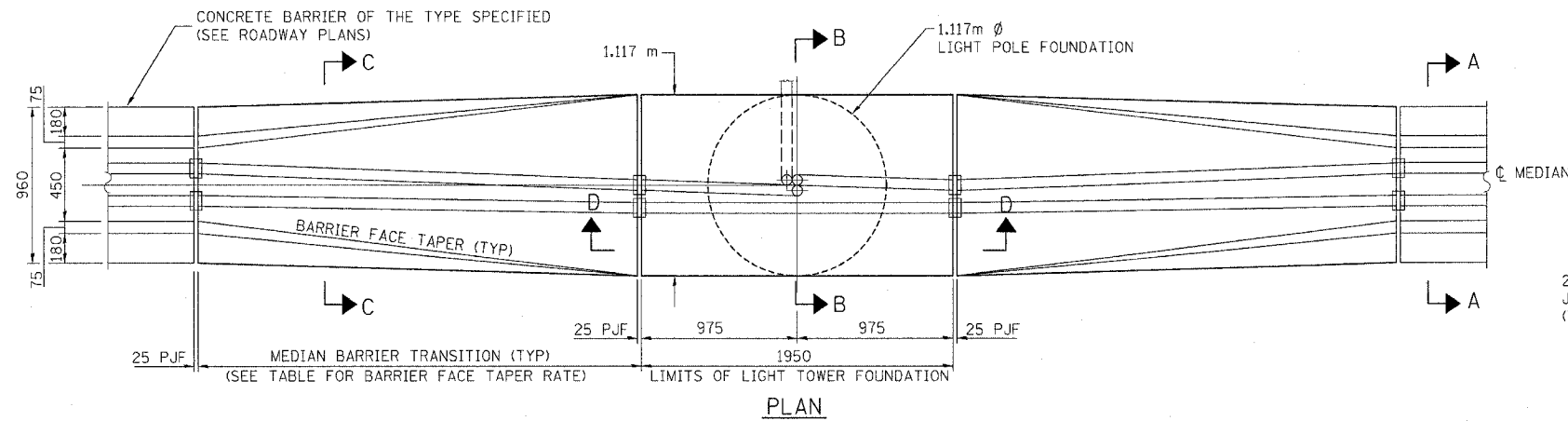
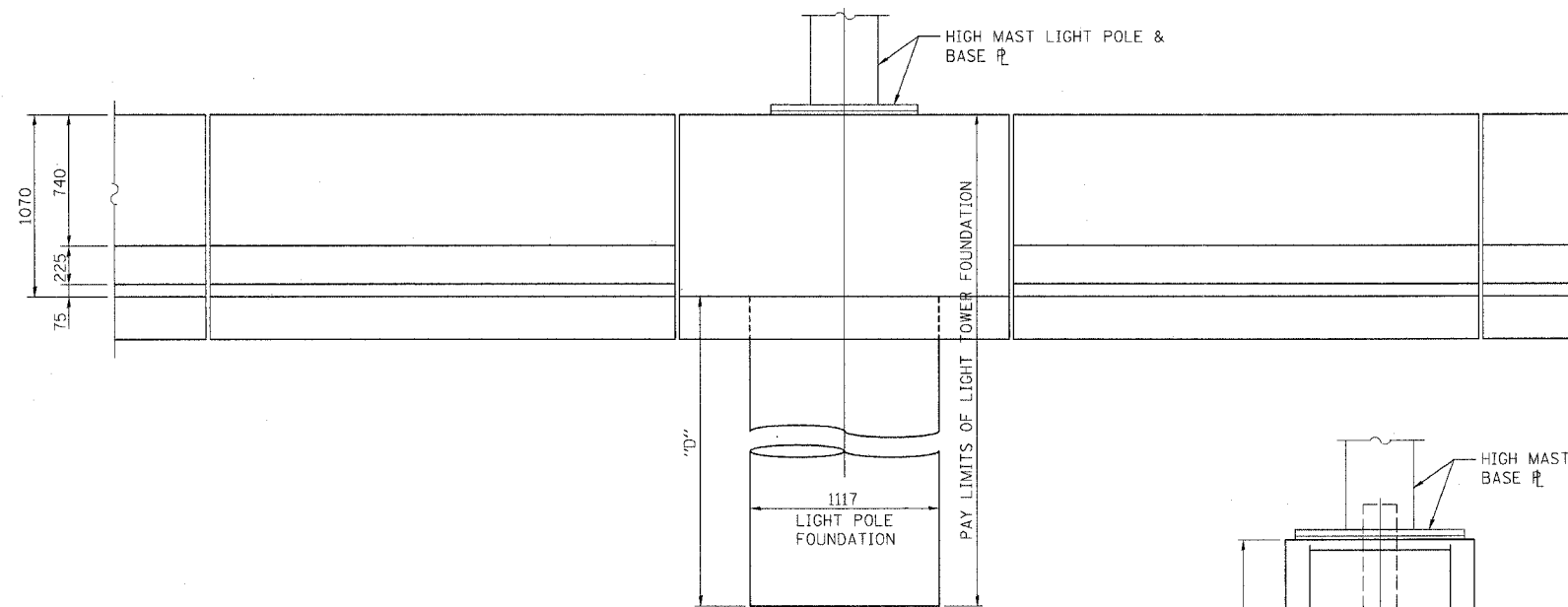


ALL DIMENSIONS IN METERS EXCEPT PAY ITEMS AND UNLESS NOTED OTHERWISE

F.A.I. RTE.	SECTION	COUNTY	TOTAL SHEETS	SHEET NO.
80/94	*	COOK	231	175
STA.		TO STA.		
FED. ROAD DIST. NO. 1		ILLINOIS FED. AID PROJECT		
*(0203.1 & 0304) R-6		CONTRACT # 62105		

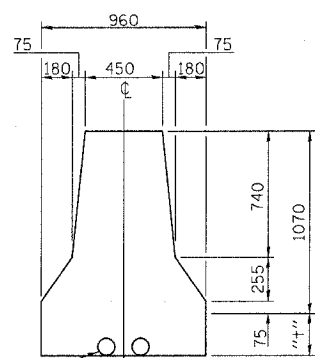


PLAN



ELEVATION

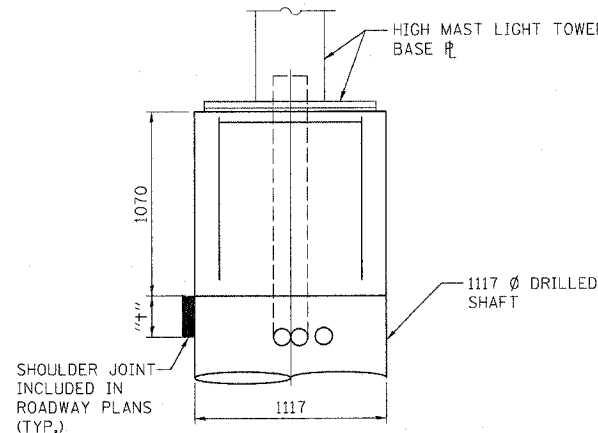
BARRIER FACE TAPER RATES		
DESIGN SPEED (km/h)	OFFSET FROM E/P (m)	TAPER RATE
120	> 3.2	1:20
	< 3.2	1:30
110	> 2.8	1:20
	< 2.8	1:30
100	> 2.4	1:18
	< 2.4	1:26
90	> 2.2	1:16
	< 2.2	1:24
80	> 2.0	1:14
	< 2.0	1:21
70	> 1.7	1:12
	< 1.7	1:18
60	> 1.4	1:10
	< 1.4	1:16
50	> 1.1	1:08
	< 1.1	1:13



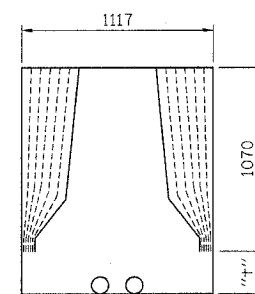
SECTION A-A

NUMBER AND SIZE OF CONDUITS SHALL BE AS SHOWN IN PLANS.

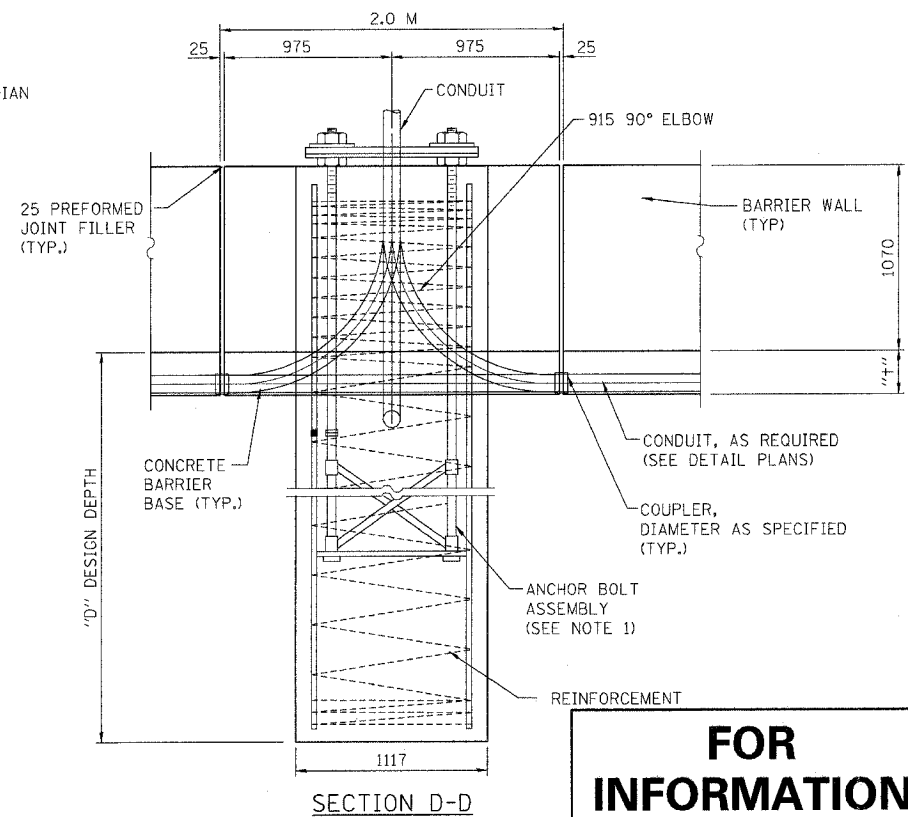
"4" = SHOULDER THICKNESS AS SPECIFIED



SECTION B-B



SECTION C-C



SECTION D-D

**FOR INFORMATION ONLY**

NOTES:

- SEE HIGH MAST LIGHT TOWER FOUNDATION DETAILS SHEETS 1 AND 2 FOR "D" DESIGN DEPTH, BASE PLATE, GROUND ROD, REINFORCEMENT AND ANCHOR BOLT ASSEMBLY FOR DESIGN DETAILS AND NOTES.
- SEE APPLICABLE PORTIONS OF SECTIONS 637 AND 837 OF THE STANDARD SPECIFICATIONS.
- SEE LIGHTING AND SURVEILLANCE PLANS FOR INFORMATION ON CONDUIT SIZES AND LOCATIONS.
- ALL DIMENSIONS IN MILLIMETERS UNLESS OTHERWISE SHOWN.
- THE CONCRETE BARRIER TRANSITION WILL BE MEASURED IN PLACE IN METERS ALONG THE CENTERLINE OF THE BARRIER AND WILL BE PAID FOR AT THE CONTRACT UNIT PRICE OF CONCRETE BARRIER OF THE TYPE SPECIFIED AND SHALL INCLUDE THE PREFORMED JOINT FILLER.
- THE LIGHT TOWER FOUNDATION WILL BE MEASURED FOR PAYMENT IN METERS OF THE LIGHT TOWER FOUNDATION IN PLACE AND WILL BE PAID FOR AT THE CONTRACT UNIT PRICE PER METER FOR LIGHT TOWER FOUNDATION OF THE DIAMETER SPECIFIED.
- THE DETAILS SHOWN ON THIS SHEET APPLY TO THE HIGH MAST LIGHT TOWERS AT THE FOLLOWING STATIONS:

STA.	STA.	STA.
STA.	STA.	STA.
STA.	STA.	STA.
STA.	STA.	STA.
STA.	STA.	STA.

REVISIONS	
NAME	DATE
T. WALSH	7/23/02
M. NORUP	6/19/03

ILLINOIS DEPARTMENT OF TRANSPORTATION  
F.A.I. ROUTE 80/94 (KINGERY EXPRESSWAY)

**HIGH MAST LIGHT FOUNDATION AT MEDIAN BARRIER DETAIL**

SCALE: DATE 07/03  
DRAWN BY ACE/CAD  
CHECKED BY TAE



LI-1