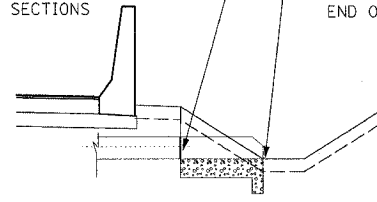


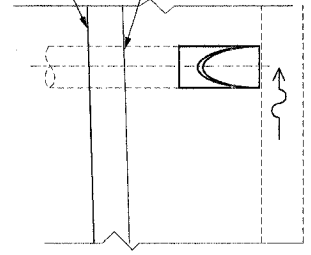
F.A.I. RTE.	SECTION	COUNTY	TOTAL SHEETS	SHEET NO.
80/94	*	COOK	231	178
STA.	TO STA.			
FED. ROAD DIST. NO. 1	ILLINOIS		FED. AID PROJECT	
*(0203.1 & 0304) R-6			CONTRACT # 62105	

STATION AND OFFSET TO POINT OF CONNECTION BETWEEN PIPE AND END SECTIONS
 INVERT ELEVATION CALLED OUT TO END OF SECTION



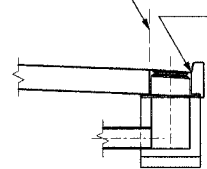
ELEVATION - FLARED END SECTION

EDGE OF SHOULDER
 BACK OF BARRIER



PLAN VIEW - FLARED END SECTION

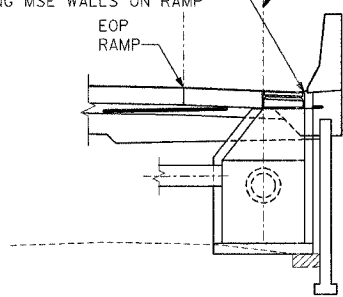
STATION AND OFFSET TO EDGE OF PAVEMENT FOR CURB AND GUTTER SECTIONS



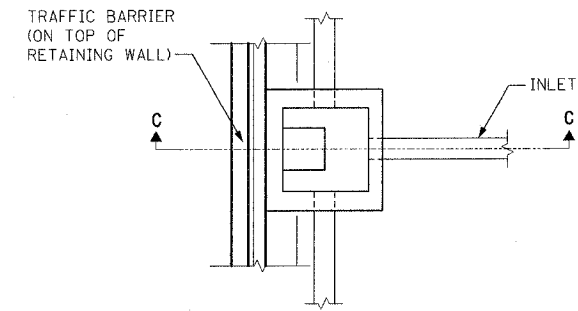
ELEVATION - INLET W/CURB & GUTTER

RIM ELEVATION CALLED OUT TO GUTTER FLOW LINE FOR CURB AND GUTTER SECTIONS

RIM ELEVATION CALLED OUT TO OUTSIDE EDGE OF RIM
 STATION AND OFFSET TO CENTER OF STRUCTURE FOR CATCH BASIN ALONG MSE WALLS ON RAMPS T, U, V, W
 B ALONG MSE WALLS ON RAMP
 EOP RAMP



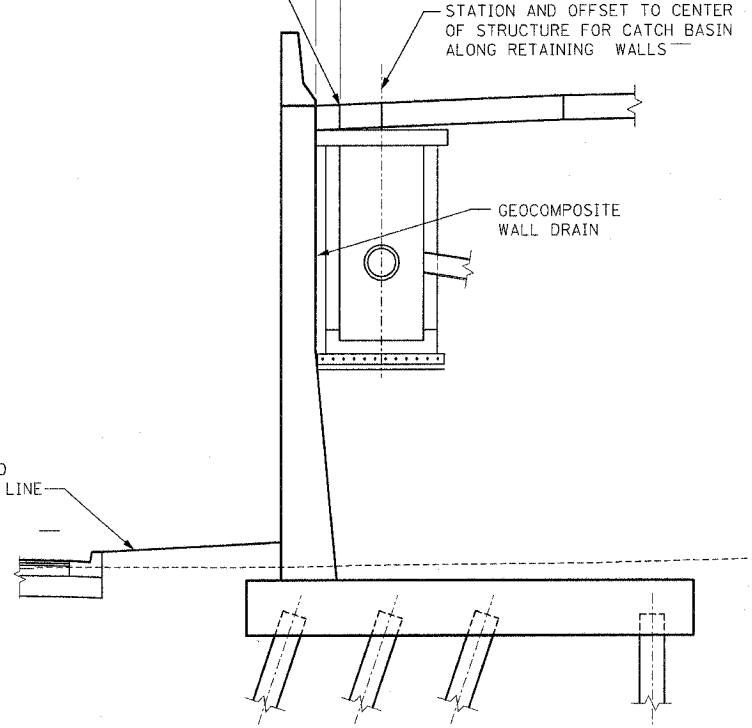
ELEVATION - CATCH BASINS ALONG MSE WALLS



PLAN

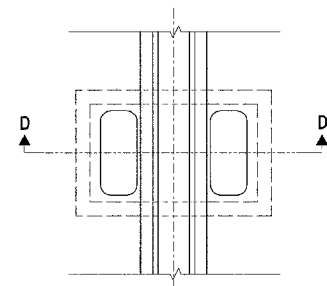
PLAN VIEW - CATCH BASINS ALONG RETAINING WALLS

RIM ELEVATION CALLED OUT TO OUTSIDE EDGE OF RIM



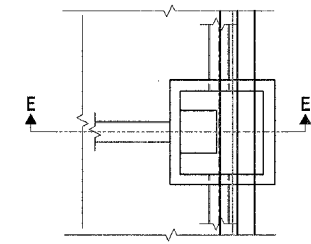
SECTION C-C

ELEVATION - CATCH BASIN ALONG RETAINING WALLS



PLAN

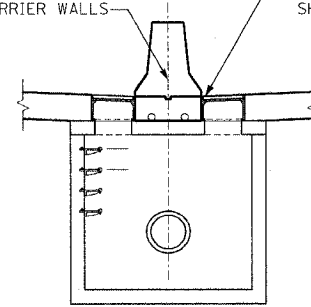
PLAN VIEW - DRAINAGE STRUCTURES UNDER BARRIER WALLS



PLAN

PLAN VIEW - CATCH BASINS AT BARRIER WALLS

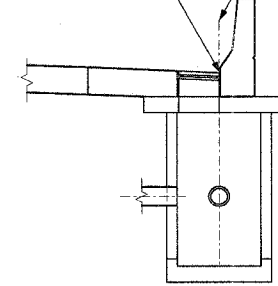
STATION AND OFFSET TO CENTER OF STRUCTURE FOR DRAINAGE STRUCTURES UNDER BARRIER WALLS
 RIM ELEVATION CALLED OUT TO FLOW LINE AT EDGE OF SHOULDER



SECTION D-D

ELEVATION - DRAINAGE STRUCTURES UNDER BARRIER WALLS

RIM ELEVATION CALLED OUT TO FLOWLINE AT EDGE OF SHOULDER
 STATION AND OFFSET TO CENTER OF STRUCTURE FOR CATCH BASIN AT BARRIER WALLS



SECTION E-E

ELEVATION - CATCH BASINS AT BARRIERS WALLS

REVISIONS	
NAME	DATE

ILLINOIS DEPARTMENT OF TRANSPORTATION
 F.A.I. ROUTE 80/94 (KINGERY EXPRESSWAY)
 IL ROUTE 83 RECONSTRUCTION
 COOK COUNTY

DRAINAGE DETAILS II
DRAINAGE STRUCTURE PLACEMENT

SCALE: DATE: 02/20/2004
 DRAWN BY: CHECKED BY:

TENG
 TENG & ASSOCIATES, INC.
 ENGINEERS/ARCHITECTS/PLANNERS
 CHICAGO, ILLINOIS