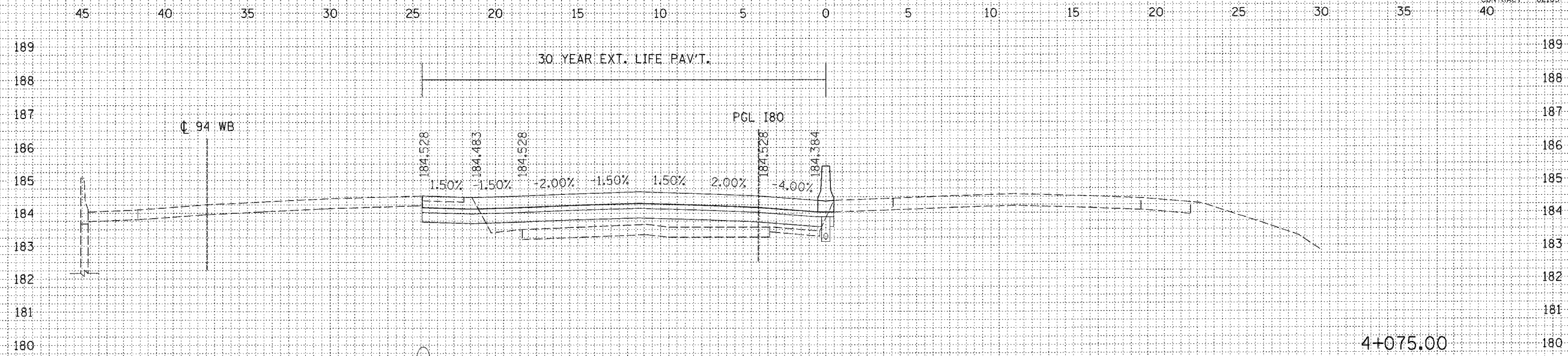
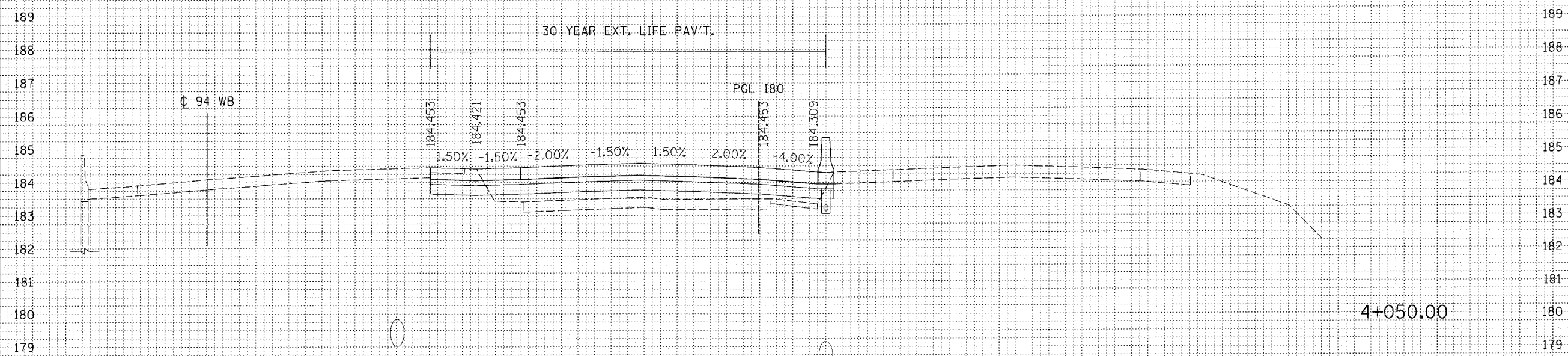


F.A.I. RTE.	SECTION	COUNTY	TOTAL SHEETS NO.	SHEET NO.
80/94	0203.1 & 0304R-6	COOK	231	217
STA.		TO STA.		
FED. ROAD DIST. NO. 1		ILLINOIS		FED. AID PROJECT

CONTRACT # 62105
40



EARTH EXCAVATION:	3	SQ.M
EMBANKMENT:	9	SQ.M
TOPSOIL EXCAVATION:	0	SQ.M



EARTH EXCAVATION:	3	SQ.M
EMBANKMENT:	9	SQ.M
TOPSOIL EXCAVATION:	0	SQ.M

BY	DATE
BY	DATE
BY	DATE
BY	DATE

BY	DATE
BY	DATE
BY	DATE
BY	DATE

REVISIONS	ILLINOIS DEPARTMENT OF TRANSPORTATION
NAME	F.A.I. ROUTE 80/94 (INTERSTATE 80/294)
DATE	
	CROSS SECTIONS
	I-80
	HORIZ. SCALE: 1:250
	VERT. SCALE: 1:125
	DATE: JULY 18, 2005
	DRAWN BY: CTT
	CHECKED BY: RCH
	McDonough Associates Inc.
	Engineers / Architects