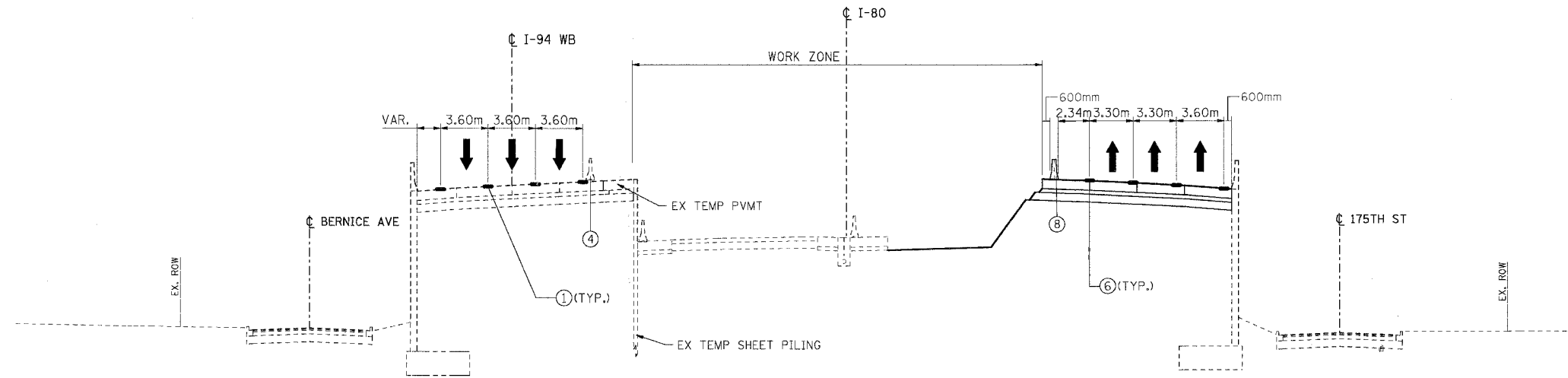


F.A.I. RTE.	SECTION	COUNTY	TOTAL SHEETS	SHEET NO.
80/94		COOK	631	148
STA.	TO STA.			
FED. ROAD DIST. NO.	ILLINOIS	FED. AID PROJECT		
• (2425 & 2626) R-2		CONTRACT NO. 62111		



TYPICAL SECTION E-E  
STA 6+583.350

**LEGEND**

- ① EXISTING PAVEMENT MARKING
- ② EXISTING GROUND LINE
- ③ EXISTING CONCRETE BARRIER
- ④ EXISTING TEMPORARY CONCRETE BARRIER
- ⑤ DRUM OR TYPE II BARRICADES WITH STEADY BURN LIGHTS
- ⑥ TEMPORARY PAVEMENT MARKINGS (SEE PLANS FOR DETAILS AND PAY ITEM)
- ⑦ TEMPORARY PAVEMENT (INTERSTATE)
- ⑧ TEMPORARY CONCRETE BARRIER (SEE PLANS FOR PAY ITEM)
- ⑨ PROPOSED SUBGRADE

↑ TRAFFIC FLOW ARROW

\* EXISTING FROM A PREVIOUS STAGE OR CONTRACT  
VAR. - INDICATES THAT THIS DIMENSION VARIES IN THE VICINITY OF THE INDICATED TYPICAL SECTION

I:\PROJECTS\8094\8094\_03\8094\_03\_01\8094\_03\_01\_01\8094\_03\_01\_01\_01.dwg  
 8-18-2005 10:15:55  
 1 2 3 4 5 6 7 8 9 10 11 12 13 14 15 16 17 18 19 20 21 22 23 24 25 26 27 28 29 30 31 32 33 34 35 36 37 38 39 40 41 42 43 44 45 46 47 48 49 50 51 52 53 54 55 56 57 58 59 60 61 62  
 BAIZEKJ

REVISIONS	
NAME	DATE

ILLINOIS DEPARTMENT OF TRANSPORTATION  
 F.A.I. ROUTE 80/94 (KINGERY EXPRESSWAY)  
 EB & WB INSIDE LANES (MAINLINE) CONSTRUCTION  
 COOK COUNTY

**MAINTENANCE OF TRAFFIC  
 FAI 80/94 - TYPICAL SECTIONS  
 PHASE III, STAGE II**

SCALE: NONE  
 DATE: 8/22/05

DRAWN BY: OP  
 CHECKED BY: JP

**TENG** TENG & ASSOCIATES, INC.  
 ENGINEERS/ARCHITECTS/PLANNERS  
 CHICAGO, ILLINOIS