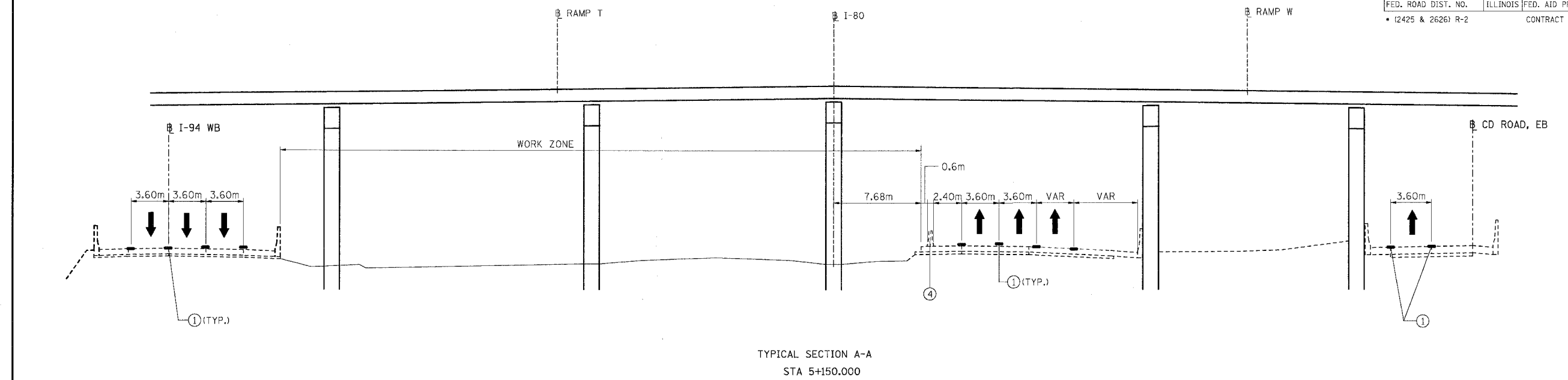
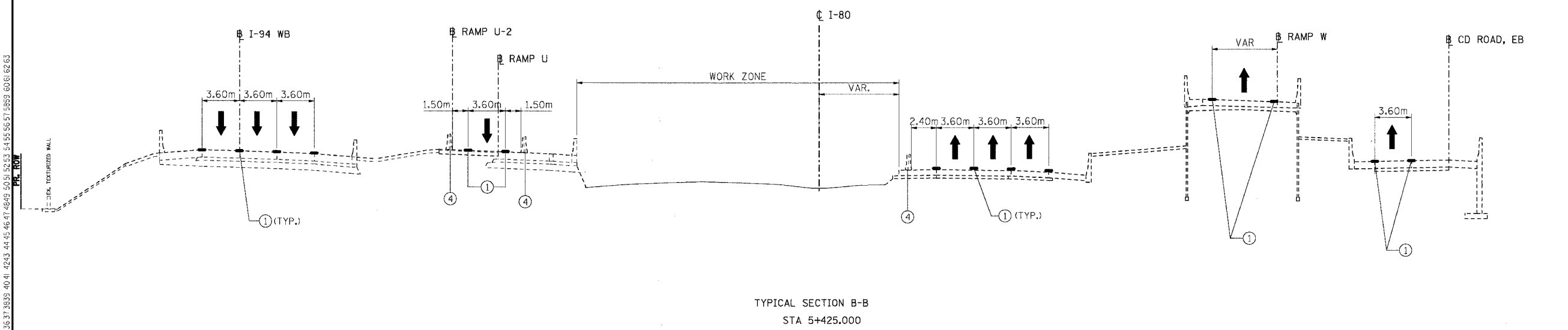


F.A.I. RTE.	SECTION	COUNTY	TOTAL SHEETS	SHEET NO.
80/94	*	COOK	631	149
STA.		TO STA.		
FED. ROAD DIST. NO.		ILLINOIS FED. AID PROJECT		
* (2425 & 2626) R-2		CONTRACT NO. 62111		



TYPICAL SECTION A-A
STA 5+150.000



TYPICAL SECTION B-B
STA 5+425.000

\A89902\A.DGN, \MT178002\A.DGN, \T70012\A.DGN, \XX9995\A.DGN, \BAJZEK\J
 P-B-2005, 10/16/05 T:\DOCUMENT\1831750\CIVIL\DCM\MT178002\A.DGN
 1 2 3 4 5 6 7 8 9 10 11 12 13 14 15 16 17 18 19 20 21 22 23 24 25 26 27 28 29 30 31 32 33 34 35 36 37 38 39 40 41 42 43 44 45 46 47 48 49 50 51 52 53 54 55 56 57 58 59 60 61 62 63

- LEGEND**
- ① EXISTING PAVEMENT MARKING
 - ② EXISTING GROUND LINE
 - ③ EXISTING CONCRETE BARRIER
 - ④ EXISTING TEMPORARY CONCRETE BARRIER
 - ⑤ DRUM OR TYPE II BARRICADES WITH STEADY BURN LIGHTS
 - ⑥ TEMPORARY PAVEMENT MARKINGS (SEE PLANS FOR DETAILS AND PAY ITEM)
 - ⑦ TEMPORARY PAVEMENT (INTERSTATE)
 - ⑧ TEMPORARY CONCRETE BARRIER (SEE PLANS FOR PAY ITEM)
 - ⑨ PROPOSED SUBGRADE
- ↑ TRAFFIC FLOW ARROW
- * EXISTING FROM A PREVIOUS STAGE OR CONTRACT
 VAR. - INDICATES THAT THIS DIMENSION VARIES IN THE VICINITY OF THE INDICATED TYPICAL SECTION

REVISIONS	
NAME	DATE

ILLINOIS DEPARTMENT OF TRANSPORTATION
 F.A.I. ROUTE 80/94 (KINGERY EXPRESSWAY)
 EB & WB INSIDE LANES (MAINLINE) CONSTRUCTION
 COOK COUNTY

**MAINTENANCE OF TRAFFIC
 FAI 80/94 - TYPICAL SECTIONS
 PHASE III, STAGE III**

SCALE: NONE
 DATE: 8/22/05

DRAWN BY: OP
 CHECKED BY: JP

TENG TENG & ASSOCIATES, INC.
 ENGINEERS/ARCHITECTS/PLANNERS
 CHICAGO, ILLINOIS