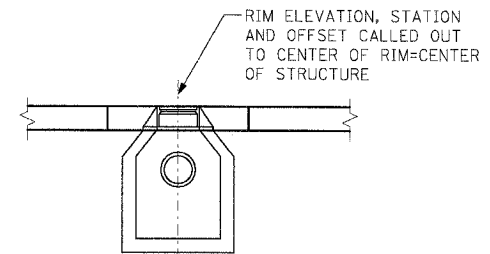
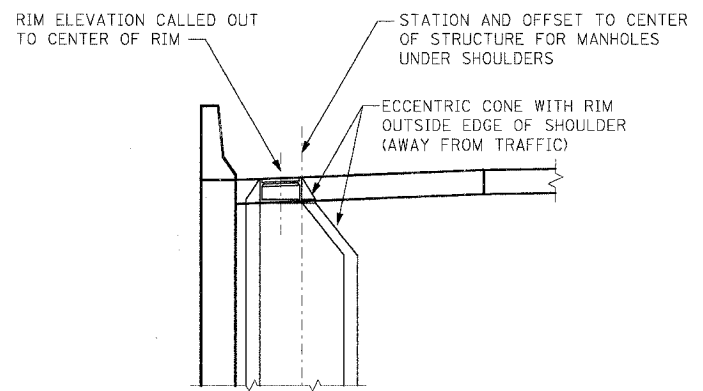


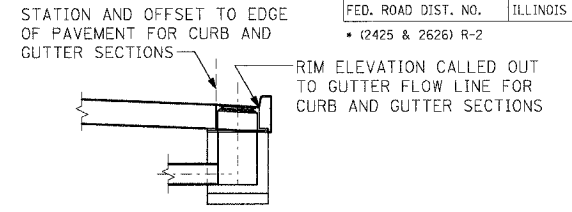
F.A.I. RTE.	SECTION	COUNTY	TOTAL SHEETS	SHEET NO.
80/94	*	COOK	631	221
STA.		TO STA.		
FED. ROAD DIST. NO.		ILLINOIS	FED. AID PROJECT	
• (2425 & 2626) R-2		CONTRACT NO. 62111		



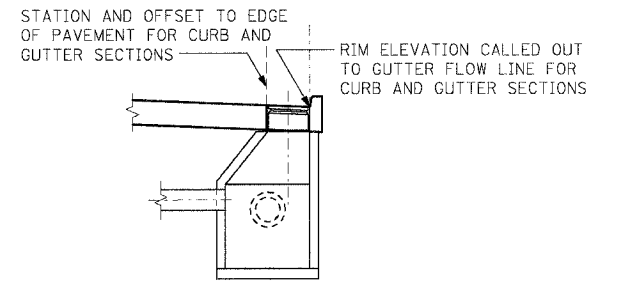
**ELEVATION - CATCH BASIN UNDER SHOULDERS AND GORE AREAS**



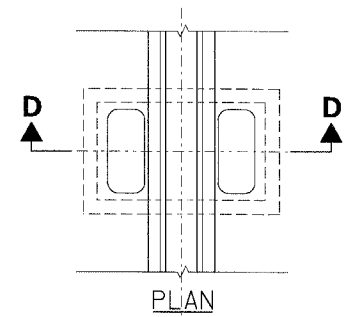
**ELEVATION - CIRCULAR SECTION MANHOLES UNDER SHOULDERS**



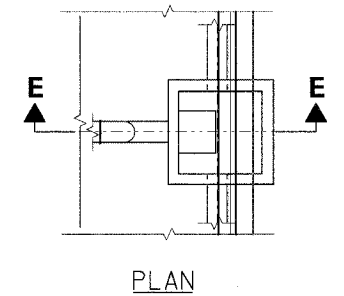
**ELEVATION - INLET W/CURB AND GUTTER**



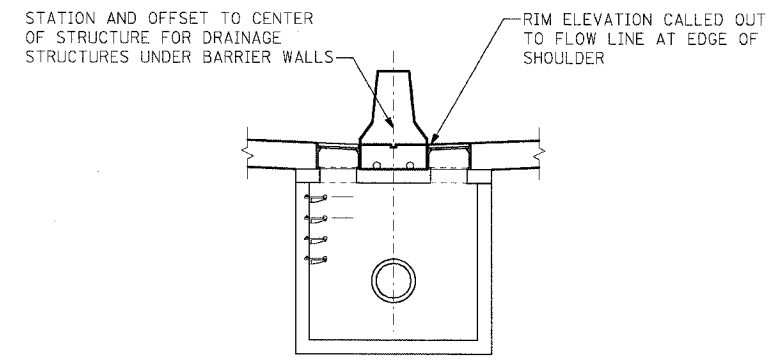
**ELEVATION - CATCH BASIN W/CURB AND GUTTER**



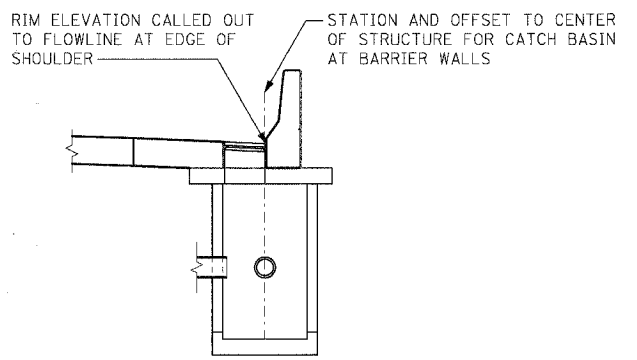
**PLAN VIEW - DRAINAGE STRUCTURES UNDER BARRIER WALLS**



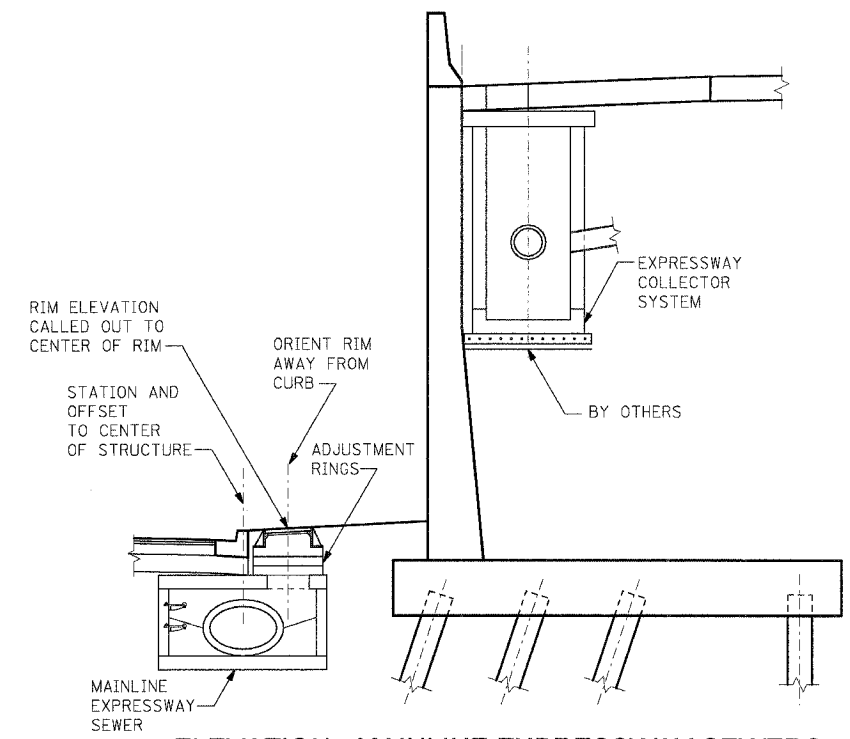
**PLAN VIEW - CATCH BASINS AT BARRIER WALLS**



**ELEVATION - DRAINAGE STRUCTURES UNDER BARRIER WALLS**



**ELEVATION - CATCH BASINS AT BARRIERS WALLS**



**ELEVATION - MAINLINE EXPRESSWAY SEWERS UNDER LOCAL ROADS PARKWAY**

9417EKK1  
 56 5859 606162  
 44.45.46.47.48.49.50.51.52.53  
 34.35.36.37.38.39.40.41.42.43  
 24.25.26.27.28.29.30.31.32.33  
 14.15.16.17.18.19.20.21.22.23.24.25.26.27.28.29.30.31.32.33  
 04.05.06.07.08.09.10.11.12.13.14.15.16.17.18.19.20.21.22.23.24.25.26.27.28.29.30.31.32.33  
 T:\DOCUMENTS\18175\18175\CIVIL\DWG\18175\18175.DWG  
 1/23/15 10:10:11 AM  
 6-18-2005 (CHFC)

REVISIONS	
NAME	DATE

ILLINOIS DEPARTMENT OF TRANSPORTATION  
 F.A.I. ROUTE 80/94 (KINGERY EXPRESSWAY)  
 EB & WB INSIDE LANES (MAINLINE) CONSTRUCTION  
 COOK COUNTY  
**DRAINAGE DETAILS I**

SCALE: NONE  
 DATE: 8/22/05

DRAWN BY: SN  
 CHECKED BY: MD

**TENG**  
 TENG & ASSOCIATES, INC.  
 ENGINEERS/ARCHITECTS/PLANNERS  
 CHICAGO, ILLINOIS