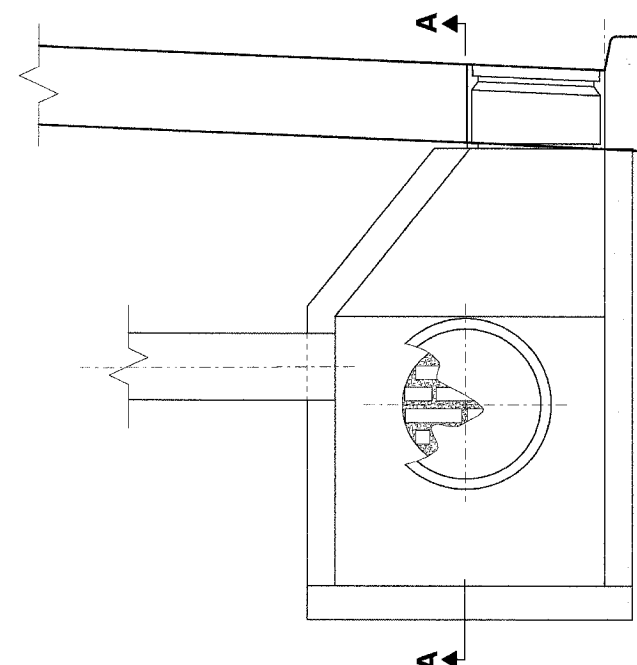
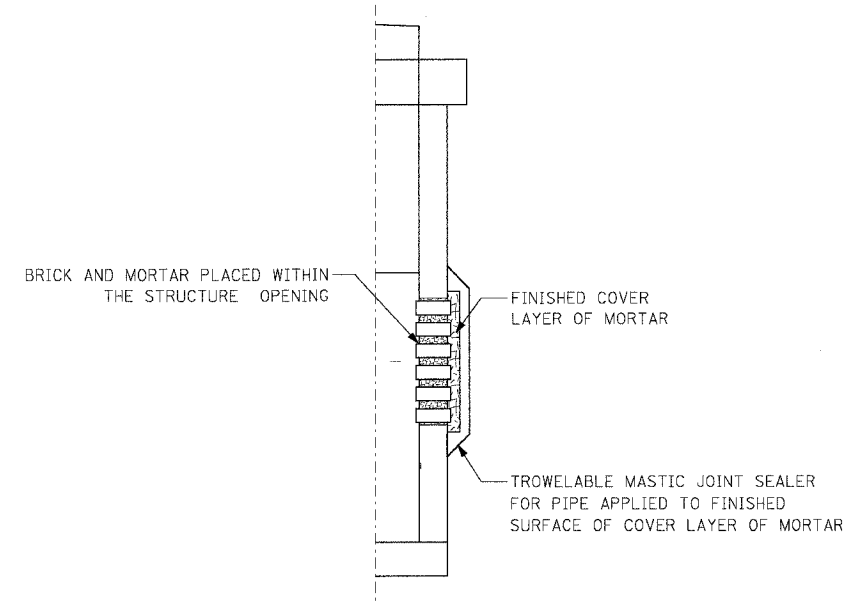


F.A.I. RTE.	SECTION	COUNTY	TOTAL SHEETS	SHEET NO.
80/94	•	COOK	631	222
STA.	TO STA.			
FED. ROAD DIST. NO.	ILLINOIS	FED. AID PROJECT		
• (2425 & 2626) R-2		CONTRACT NO. 62111		



DRAINAGE STRUCTURE, CATCH BASIN, MANHOLE OR INLET



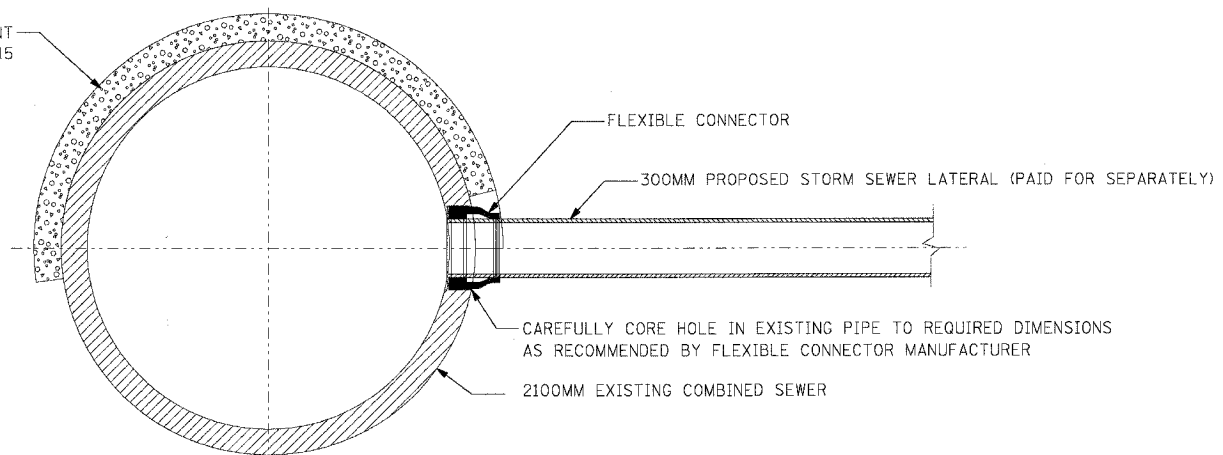
SECTION A-A

CONCRETE MASONRY BULKHEAD

NOTE:

- 1) THIS WORK SHALL BE PAID FOR AT THE CONTRACT UNIT PRICE PER EACH FOR "CONCRETE MASONRY BULKHEAD".

EXISTING 150mm CONCRETE ENCASEMENT
APPROXIMATE STA. 59+950 TO STA. 60+015



PROPOSED STORM SEWER CONNECTION TO EXISTING 2100MM COMBINED SEWER

NOTE:

- 1) THIS WORK CONSISTS OF FURNISHING AND INSTALLING A DIRECT CONNECTION OF PROPOSED LATERAL SEWER PIPE TO EXISTING 2100MM COMBINED SEWER, AS SHOWN ON THE PLANS AND AS DIRECTED BY THE ENGINEER.
- 2) COST OF THE CONNECTION SHALL BE PAID FOR AT THE CONTRACT UNIT PRICE PER EACH FOR "PROPOSED STORM SEWER CONNECTION TO EXISTING STORM SEWER".
- 3) CARE SHALL BE TAKEN TO PREVENT DEBRIS FROM ENTERING THE SEWER. ALL DEBRIS THAT ENTERS THE SEWER SHALL BE REMOVED. THE SEWER SHALL BE LEFT CLEAN AND UNOBSTRUCTED UPON COMPLETION OF THE CONTRACT.
- 4) IF THE EXISTING SEWER PIPE IS CRACKED, BROKEN OR OTHERWISE DAMAGED BY THE CONTRACTOR IN MAKING THE CIRCULAR OPENING, THE CONTRACTOR SHALL REPLACE THAT SECTION OF PIPE WITH PIPE EQUAL AND SIMILAR IN ALL RESPECTS TO THE PIPE IN THE EXISTING SEWER PIPE, IN A CAREFUL WORKMANLIKE MANNER, WITHOUT EXTRA COMPENSATION.
- 5) PIPE LATERAL SHALL NOT PROTRUDE INTO EXISTING 2100mm COMBINED SEWER.

\AR900024.DGN, \GN70022A.DGN, \DD30032A.DGN, \BIB7005 (C)702, \T\DOCUMENT\189759\DWG\JOB\JOB10072A.DGN
 1 2 3 4 5 6 7 8 9 10 11 12 13 14 15 16 17 18 19 20 21 22 23 24 25 26 27 28 29 30 31 32 33 34 35 36 37 38 39 40 41 42 43 44 45 46 47 48 49 50 51 52 53
 56 5859 606162 BALZEKJ

REVISIONS	
NAME	DATE

ILLINOIS DEPARTMENT OF TRANSPORTATION
 F.A.I. ROUTE 80/94 (KINGERY EXPRESSWAY)
 EB & WB INSIDE LANES (MAINLINE) CONSTRUCTION
 COOK COUNTY

DRAINAGE DETAILS II

SCALE: NONE
 DATE: 8/22/05

DRAWN BY: SN
 CHECKED BY: MD

TENG
 TENG & ASSOCIATES, INC.
 ENGINEERS/ARCHITECTS/PLANNERS
 CHICAGO, ILLINOIS