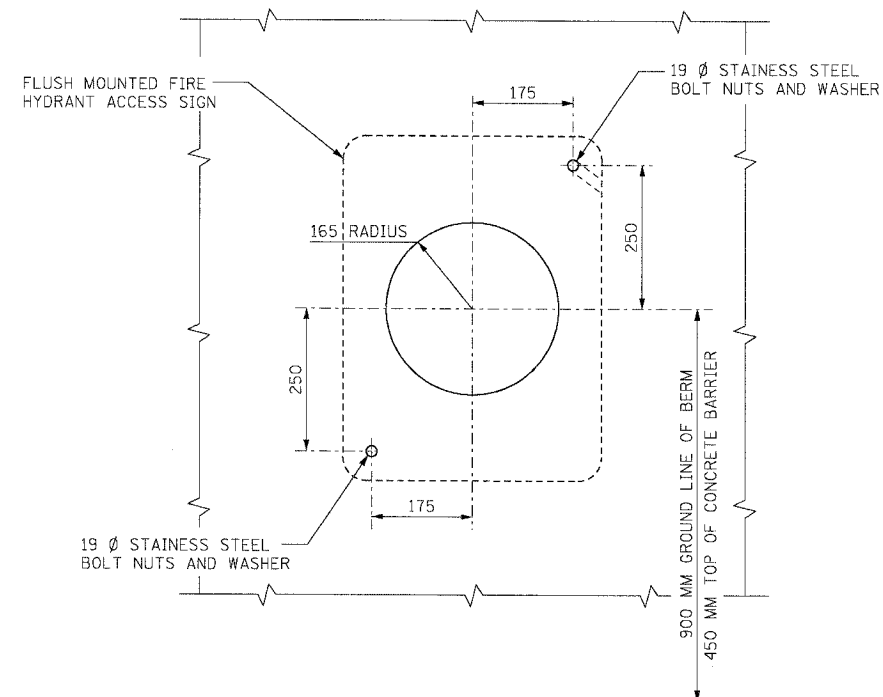
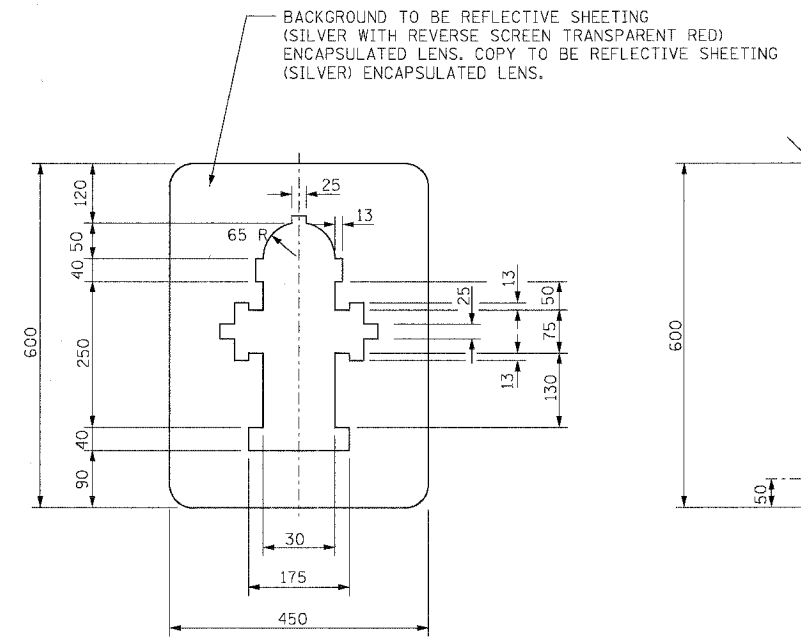


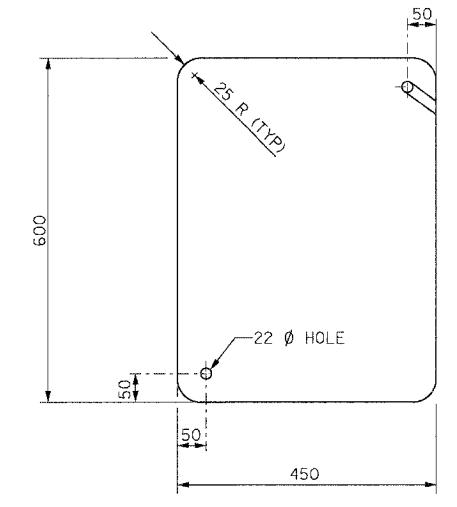
F.A.I. RTE.	SECTION	COUNTY	TOTAL SHEETS	SHEET NO.
80/94	*	COOK/LAKE	631	314
STA.		TO STA.		
FED. ROAD DIST. NO.		ILLINOIS	FED. AID PROJECT	
CONTRACT NO.		CONTRACT NO. 62111		
* (2425 & 2626) R-2				



FIRE HYDRANT ACCESS HOLE DETAIL



FIRE HYDRANT ACCESS SIGN DETAIL



FIRE HYDRANT ACCESS SIGN DETAIL

I:\DOCUMENTS\BENTON\CIVIL\DRAWINGS\TODD\DEN
 8-18-2005 10:18:58
 1 2 3 4 5 6 7 8 9 10 11 12 13 14 15 16 17 18 19 20 21 22 23 24 25 26 27 28 29 30 31 32 33 34 35 36 37 38 39 40 41 42 43 44 45 46 47 48 49 50 51 52 53 54 55 56 57 58 59 60 61 62 63

ALL DIMENSIONS ARE IN MM UNLESS OTHERWISE SPECIFIED.

REVISIONS	
NAME	DATE

ILLINOIS DEPARTMENT OF TRANSPORTATION
 I-80/94/US 6
 KINGERY-BORMAN EXPRESSWAY
 BURNHAM ROAD TO US 41
FIRE HYDRANT ACCESS
 SCALE NONE
 DATE 03/05
 DRAWN BY ACE/CAD
 CHECKED BY