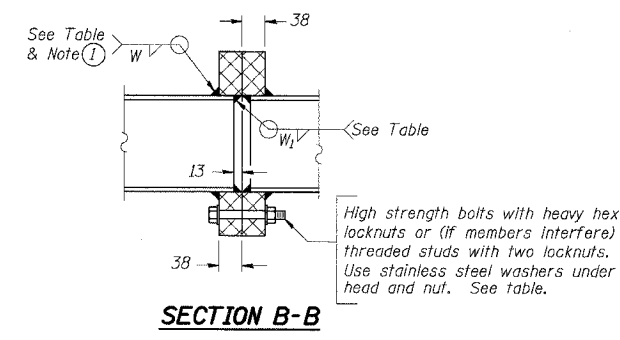


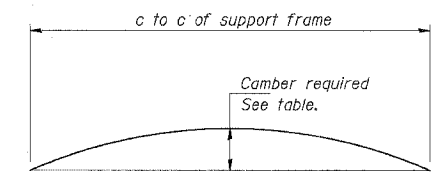
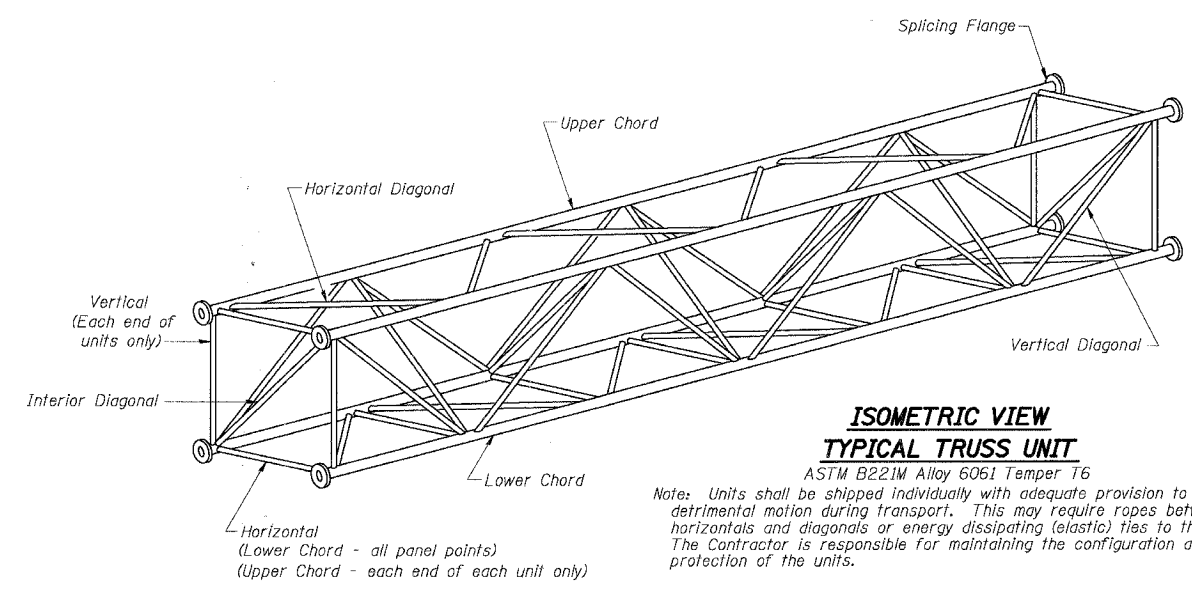
F.A.I. RTE.	SECTION	COUNTY	TOTAL SHEETS	SHEET NO.
80/94	•	COOK	631	319
STA.	TO STA.			
FED. ROAD DIST. NO.	ILLINOIS	FED. AID PROJECT		
• (2425 & 2626) R-2		CONTRACT NO. 62111		

TRUSS UNIT TABLE

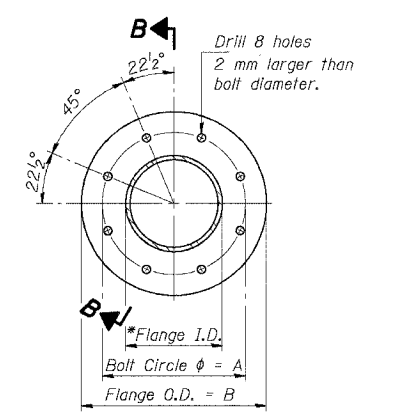
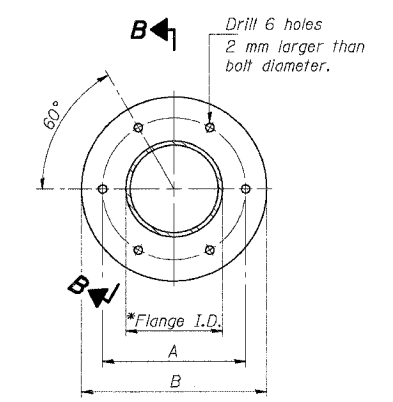
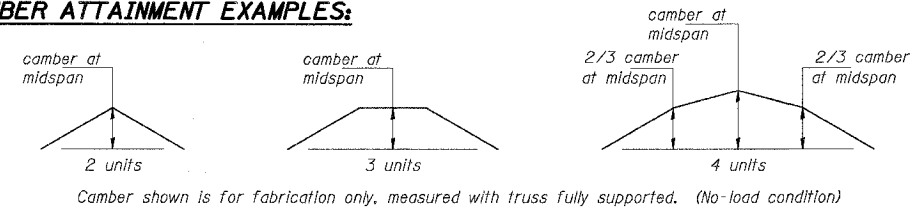
Structure Number	Station	Design Truss Type	Exterior Units (2)			Interior Unit				Upper & Lower Chord		Verticals; Horizontals; Vertical, Horizontal, and Interior Diagonals		Camber at Midspan	Splicing Flange					
			No. Panels per Unit	Unit Lgth.(L _e) (m)	Panel Lgth.(P) (m)	No. Req'd.	No. Panels per Unit	Unit Lgth.(L _i) (m)	Panel Lgth.(P) (m)	O.D.	Wall	O.D.	Wall		Bolts		Weld Sizes			
														No./Splice	Dia.	W	W _i	A	B	
ISO161080L162.6	6+546.200	III-A	7	12.170	1.660	1	6	10.340	1.660	178	13	83	8	75	8	25	14	11	292	381



① Splicing Flanges shall be attached to each truss unit with the truss shop assembled to camber shown. Truss units shall be in proper alignment and flange surfaces shall be shop bolted into full contact before welding. Sufficient external welds or tacks shall be made to secure flanges until remaining welds are made after disassembly. Adjacent flanges shall be "match marked" to insure proper field assembly.



CAMBER ATTAINMENT EXAMPLES:



SPLICING FLANGES

ASTM B221M, Alloy 6061-T6 or ASTM B209M, Alloy 6061-T651
*To fit O.D. of Chord with maximum gap of 2 mm.

REVISIONS	
NAME	DATE

ILLINOIS DEPARTMENT OF TRANSPORTATION
F.A.I. ROUTE 80/94 (KINGERY EXPRESSWAY)
EB & WB INSIDE LANES (MAINLINE) CONSTRUCTION
COOK COUNTY

OVERHEAD SIGN STRUCTURES ALUMINUM TRUSS DETAILS
TRUSS TYPES I-A, II-A & III-A II

SCALE: DATE: 7/18/2005
DRAWN BY: NK
CHECKED BY: VCP

TENG TENG & ASSOCIATES, INC.
ENGINEERS/ARCHITECTS/PLANNERS
CHICAGO, ILLINOIS

\\MS17R02A.DGN ... \AB99002A.DGN
 7-12-2005, 10:23:48
 F:\DOCUMENT\EST\TRUSS\STRUCT\UDN\M570952A.DGN
 12.3.4.56.78.9.10.11.12.13.14.15.16.17.18.19.20.21.22.23.24.25.26.27.28.29.30.31.32.33.34.35.36.37.38.39.40.41.42.43.44.45.46.47.48.49.50.51.52.53.54.55.56.57.58.59.60.61.62.63