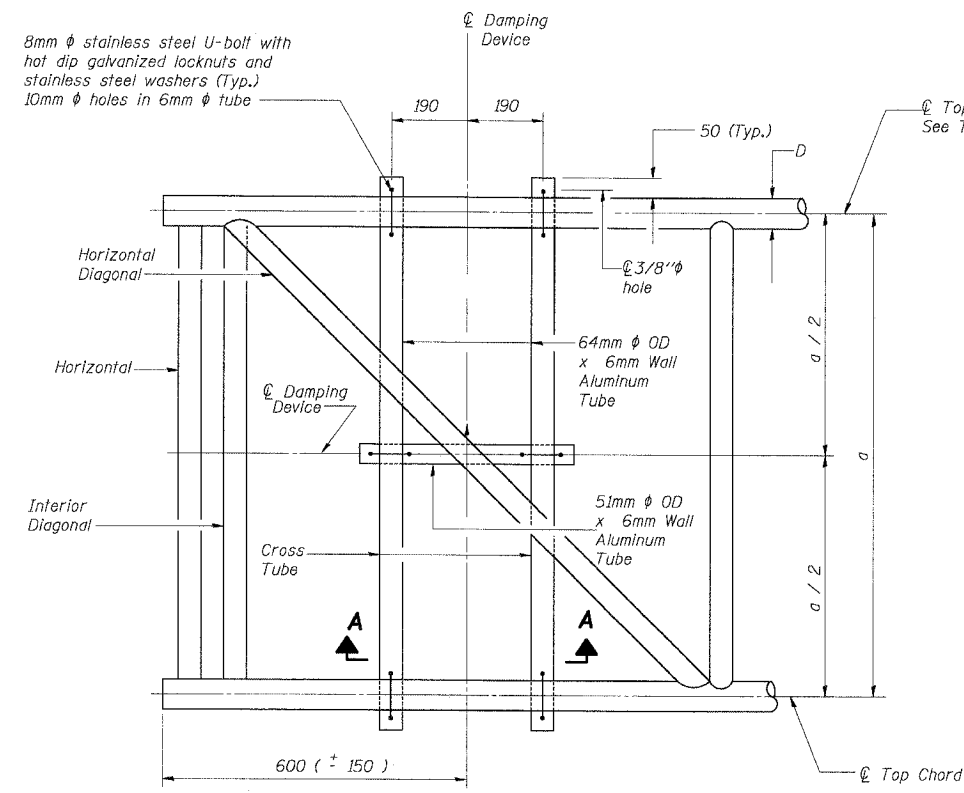
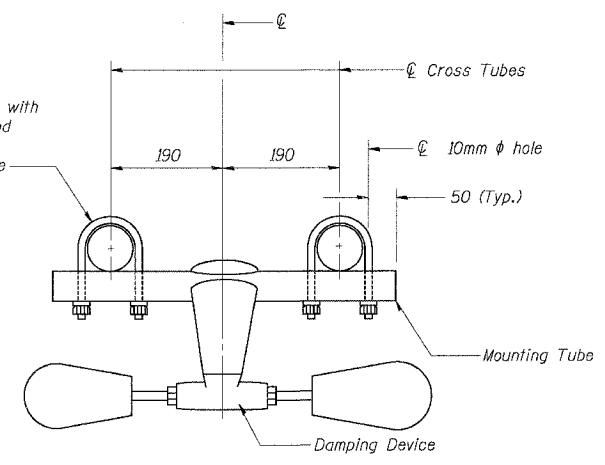


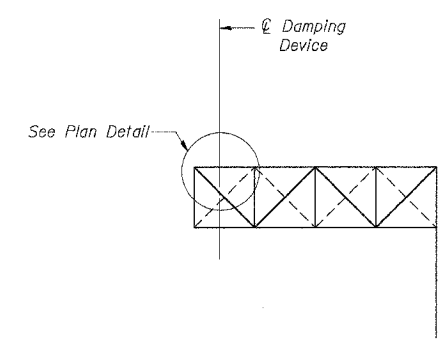
F.A.I. RTE.	SECTION	COUNTY	TOTAL SHEETS	SHEET NO.
80/94		COOK	631	329
STA.	TO STA.			
FED. ROAD DIST. NO.	ILLINOIS FED. AID PROJECT			
(2425 & 2626) R-2			CONTRACT NO. 62111	



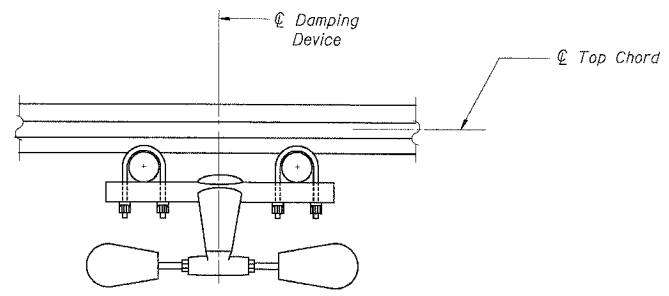
**PLAN DETAIL**



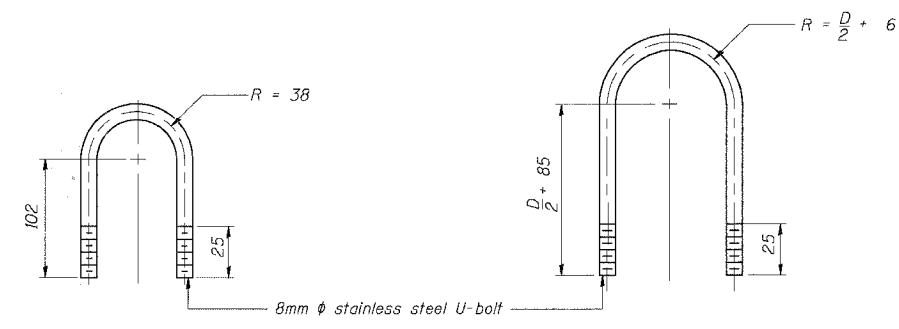
**TRUSS DAMPING DEVICE CONNECTION DETAIL**



**ELEVATION**  
Aluminum Cantilever Sign Structure



**SECTION A-A**



**DAMPING DEVICE MOUNTING TUBE U-BOLT DETAIL**  
(Typical)

**TOP CHORD TO CROSS TUBE U-BOLT DETAIL**  
(Typical)

**GENERAL NOTES**

- Damper: One damper per truss. (14 Kg Stockbridge-Type Aluminum)
- Materials: Aluminum tubes shall be ASTM B221(M) alloy 6061 temper T6
- All dimensions are in millimeters (mm) except as noted.

..MS7R02.A.DON...AB99002A.DON  
 7-02-006, 0203353  
 2,3,4,5,6,7,8,9,10,11,12,13,14,15,16,17,18,19,20,21,22,23,24,25,26,27,28,29,30,31,32,33,34,35,36,37,38,39,40,41,42,43,44,45,46,47,48,49,50,51,52,53,54,55,56,57,58,59,60,61,62,63  
 BAJZEKJ  
 54555657585960616263

OSC-A-D(M) 11/1/2002

REVISIONS	
NAME	DATE

14 of 23

ILLINOIS DEPARTMENT OF TRANSPORTATION  
 F.A.I. ROUTE 80/94 (KINGERY EXPRESSWAY)  
 EB & WB INSIDE LANES (MAINLINE) CONSTRUCTION  
 COOK COUNTY

**CANTILEVER SIGN STRUCTURES DAMPING DEVICE**

SCALE: DATE: 7/18/2005  
 DRAWN BY: NK  
 CHECKED BY: VCP

**TENG**  
 ENGINEERS/ARCHITECTS/PLANNERS  
 CHICAGO, ILLINOIS