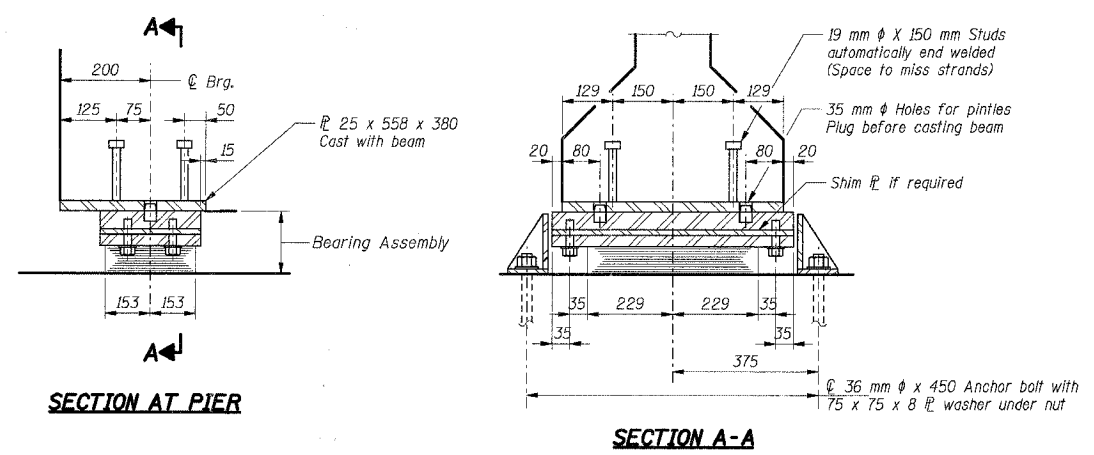
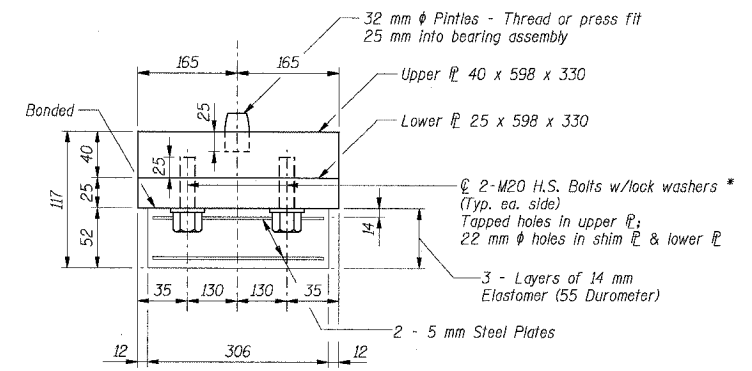


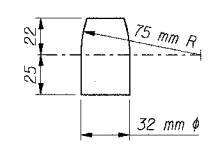
F.A.I. RTE.	SECTION	COUNTY	TOTAL SHEETS	SHEET NO.
80/94	*	COOK	631	416
STA.	TO STA.			
FED. ROAD DIST. NO.	ILLINOIS	FED. AID PROJECT		
		* (2425 & 2626) R-2	CONTRACT NO. 62111	



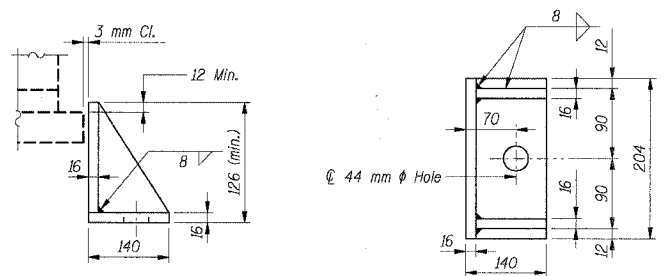
**TYPE I ELASTOMERIC EXP. BRG.**



Note: Shim plates shall not be placed under Bearing Assembly.



\* Bolts shall engage a minimum threaded length of 20 mm in the upper bearing  $\phi$  in installed condition.



Equivalent rolled angle with stiffeners will be allowed in lieu of welded plates.

**BILL OF MATERIAL**

Item	Unit	Total
Elastomeric Bearing Assembly, Type I	Each	64
Furnishing and Erecting Structural Steel	kg	1,600

- Notes:**
- All dimensions are in millimeters (mm) except as noted.
  - Holes at expansion bearings shall be drilled and anchor bolts grouted in place after beams have been erected. See sheet RS-45 for anchor bolt installation.
  - Shim plates, anchor bolts and side retainers shall be paid separately under Furnishing and Erecting Structural Steel per kilogram.

**SHT. RS-44 OF 70**

REVISIONS	
NAME	DATE

ILLINOIS DEPARTMENT OF TRANSPORTATION  
 F.A.I. ROUTE 80/94 (KINGERY EXPRESSWAY)  
 EB & WB INSIDE LANES (MAINLINE) CONSTRUCTION  
 I-80/94 OVER RAILROAD AVENUE  
 STRUCTURE NO. 016-2792 STA. 6+025.000  
 SECTION 1977-121-R  
 COOK COUNTY

**BEARING DETAILS**

DATE: 7/18/2005

DRAWN BY: PA  
 CHECKED BY: TCU

**TENG** TENG & ASSOCIATES, INC.  
 ENGINEERS/ARCHITECTS/PLANNERS  
 CHICAGO, ILLINOIS

\\FP98092A\JDN... \AB99002A\JDN  
 7-12-2005, 10:25:53  
 T:\ADOCUMENT\33750\STRUCT\ADON\BRITZ002A.DGN  
 1 2 3 4 5 6 7 8 9 10 11 12 13 14 15 16 17 18 19 20 21 22 23 24 25 26 27 28 29 30 31 32 33 34 35 36 37 38 39 40 41 42 43 44 45 46 47 48 49 50 51 52 53 54 55 56 57 58 59 60 61 62 63