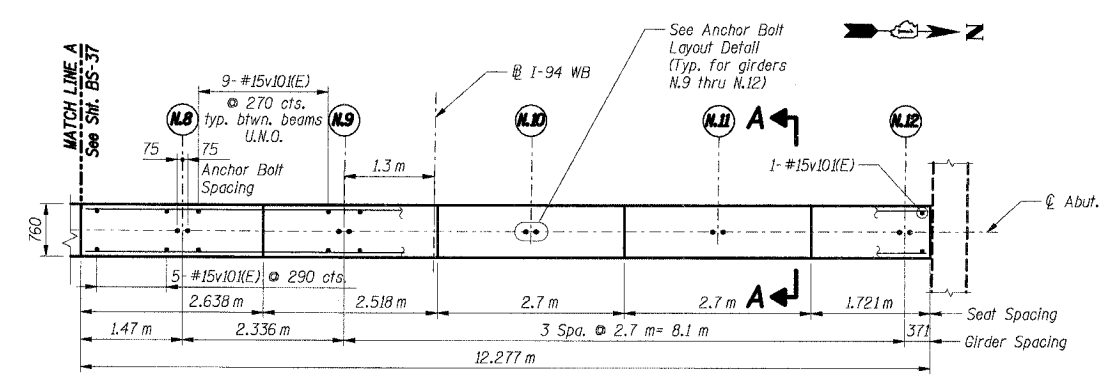
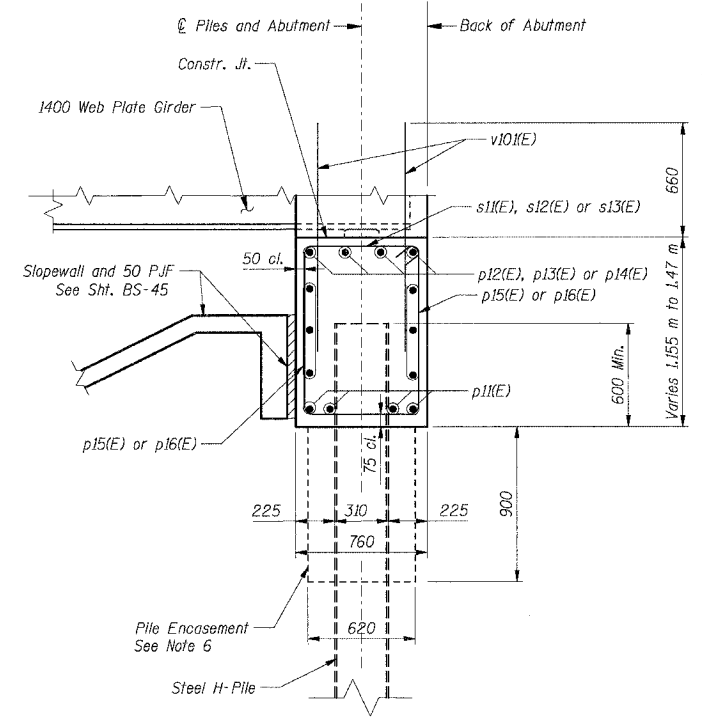


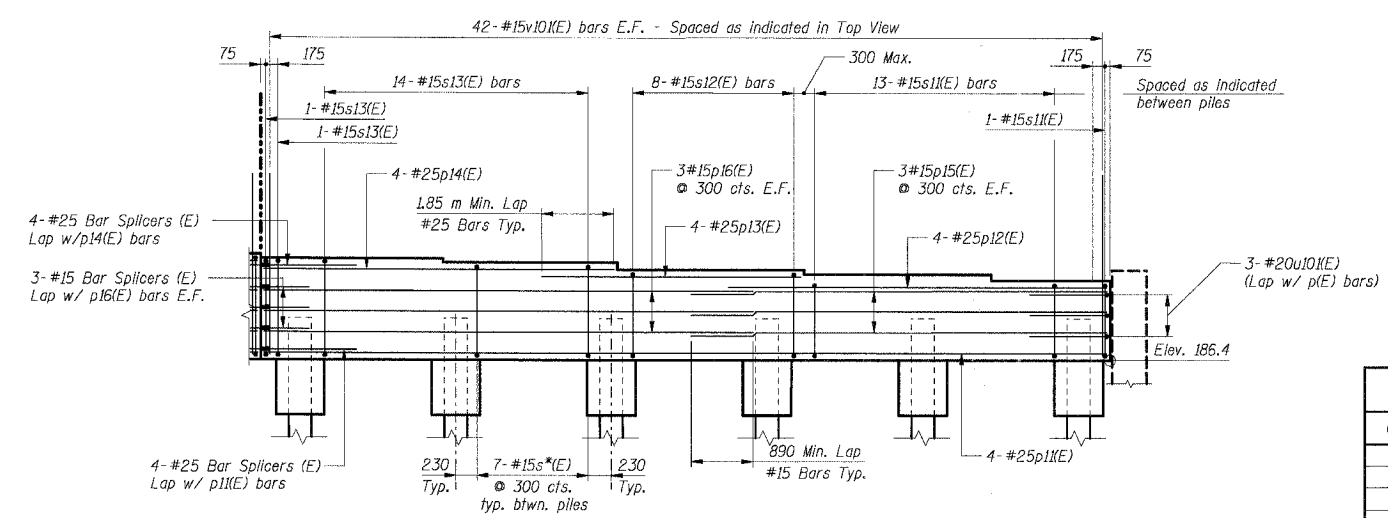
F.A.I. RTE.	SECTION	COUNTY	TOTAL SHEETS	SHEET NO.
80/94		COOK	631	478
STA.	TO STA.			
FED. ROAD DIST. NO.	ILLINOIS	FED. AID PROJECT		
	(2425 & 2626) R-2	CONTRACT NO. 6211		



TOP VIEW



SECTION A-A



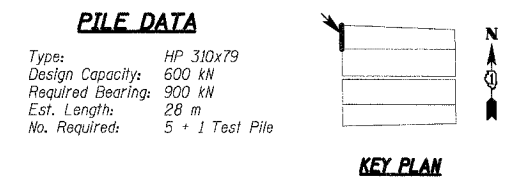
ELEVATION (Looking West)

Girder	West Abutment	Steps
N.8	187.870	55
N.9	187.815	105
N.10	187.710	65
N.11	187.645	90
N.12	187.555	

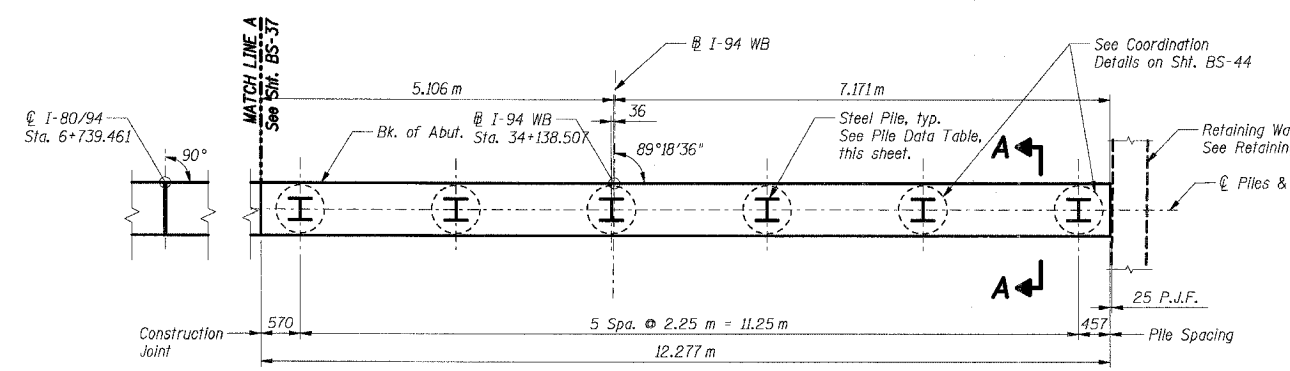
BEARING SEAT ELEVATIONS

BAR LIST				
Bar	No.	Size	Length (m)	Shape
p1(E)	4	12.17	#25	—
p2(E)	4	6.27	#25	—
p3(E)	4	4.55	#25	—
p4(E)	4	5.05	#25	—
p5(E)	6	6.00	#15	—
p6(E)	6	7.07	#15	—
s1(E)	14	3.64	#15	□
s2(E)	8	2.96	#15	□
s3(E)	16	1.16	#15	□
u10(E)	3	2.85	#20	└┘
v10(E)	84	1.32	#15	—

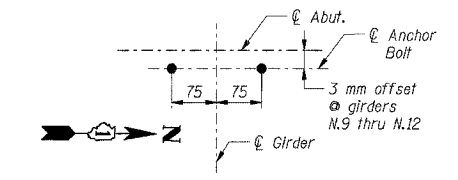
BILL OF MATERIAL		
Item	Unit	Total
Concrete Structures	Cu m	12.4
Reinforcement Bars, Epoxy Coated	kg	990
Structure Excavation	Cu m	2
Bar Splicers	EA	14



PILE DATA	
Type:	HP 310x79
Design Capacity:	600 kN
Required Bearing:	900 kN
Est. Length:	28 m
No. Required:	5 + 1 Test Pile

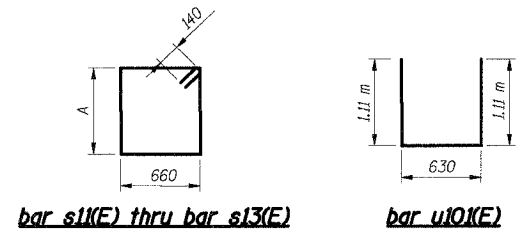


FOOTING PLAN



ANCHOR BOLT LAYOUT DETAIL

Bar	A (m)
s1(E)	1.02
s2(E)	1.18
s3(E)	1.28



THIS SHEET FOR INFORMATION ONLY

- Notes:**
- All dimensions are in millimeters (mm) except as noted.
 - Reinforcement bars designated (E) shall be epoxy coated.
 - E.F. indicates each face.
 - Work this sheet with sheet BS-37.
 - For Bar Splicer details, see sheet BS-56.
 - For Pile Encasement details, see sheet BS-3.

SHT. BS-36 OF 60	
REVISIONS	
NAME	DATE

ILLINOIS DEPARTMENT OF TRANSPORTATION
 F.A.I. ROUTE 80/94 (KINGERY EXPRESSWAY)
 EB & WB INSIDE LANES (MAINLINE) CONSTRUCTION
 I-80/94 OVER BURNHAM AVENUE
 STRUCTURE NO. 016-2791 STA. 6+772.591
 SECTION 1977-121-R
 COOK COUNTY

WEST ABUTMENT PLAN, ELEVATION & SECTION - I

DATE: 7/18/2005
 DRAWN BY: LS
 CHECKED BY: TCU

TENG
 TENG & ASSOCIATES, INC.
 ENGINEERS/ARCHITECTS/PLANNERS
 CHICAGO, ILLINOIS

BAJZEEKJ
 11/02/2005 10:26:49
 I:\DOCUMENT\193750\STRICT\WORK\6092\A.DGN
 12 13 14 15 16 17 18 19 20 21 22 23 24 25 26 27 28 29 30 31 32 33 34 35 36 37 38 39 40 41 42 43 44 45 46 47 48 49 50 51 52 53 54 55 56 57 58 59 60 61 62 63