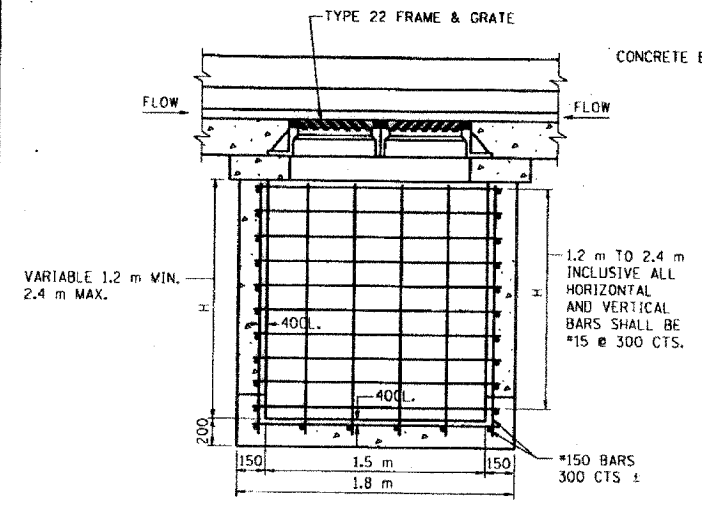
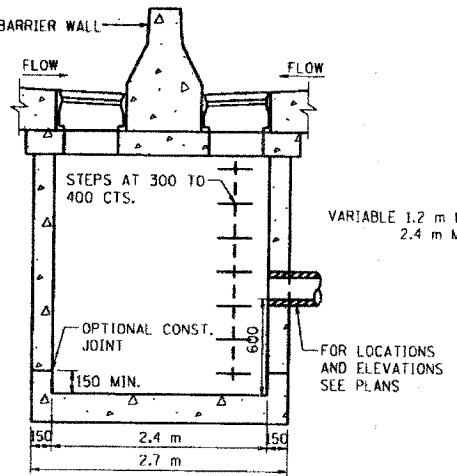


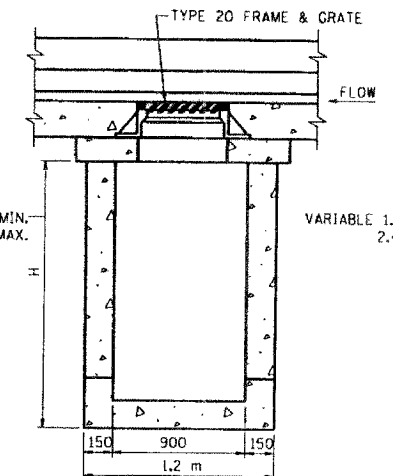
F.A.I. RTE.	SECTION	COUNTY	TOTAL SHEETS	SHEET NO.
			631	509
STA.		TO STA.		
FED. ROAD DIST. NO.		ILLINOIS FED. AID PROJECT		
(2425 & 2626) R-2		CONTRACT NO. 62111		



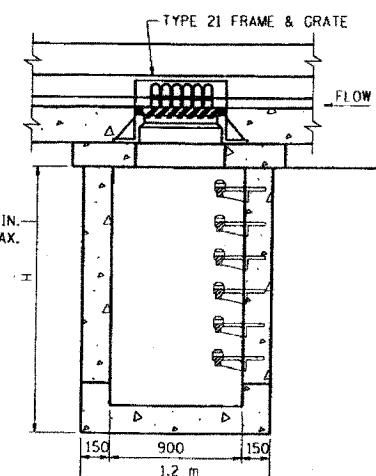
**FRONT ELEVATION
(DRAINAGE STRUCTURE, TYPE 2.4m x 1.5m)
TYPE 22 FRAME AND GRATE**



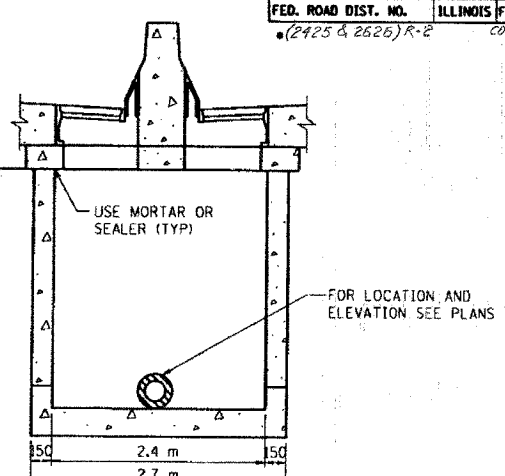
**SIDE ELEVATION
(DRAINAGE STRUCTURE,
TYPE 2.4m x 0.9m & 2.4m x 1.5m)
TYPE 20 & 22 FRAME AND GRATE**



**FRONT ELEVATION
(DRAINAGE STRUCTURE,
TYPE 2.4m x 0.9m)
TYPE 20 FRAME AND GRATE**



**FRONT ELEVATION
(DRAINAGE STRUCTURE,
TYPE 2.4m x 0.9m)
TYPE 21 FRAME AND GRATE**



**SIDE ELEVATION
(DRAINAGE STRUCTURE,
TYPE 2.4m x 0.9m)
TYPE 21 FRAME AND GRATE**

GENERAL NOTES

CLASS PC CONCRETE OR PRECAST CONCRETE SHALL BE USED THROUGHOUT. CLASS PC CONCRETE SHALL BE CONSTRUCTED IN ACCORDANCE WITH SECTION 504 OF THE STANDARD SPECIFICATIONS

PRECAST CONCRETE SHALL BE IN ACCORDANCE WITH ARTICLES 504.01 THRU 504.05 OF THE STANDARD SPECIFICATIONS EXCEPT THAT CONCRETE STRENGTH SHALL BE AT LEAST 27,600 KPa AFTER 28 DAYS. SHOP DRAWINGS WILL NOT BE REQUIRED FOR PRECAST UNITS.

THE REINFORCEMENT SHOWN IN THE FRONT ELEVATION OF THE TYPE 2.4m x 1.5m IS TYPICAL FOR BOTH ELEVATIONS OF ALL TYPES.

EXPOSED EDGES SHALL BE BEVELED 20.

SEE STANDARD 602701 FOR DETAILS OF CAST IRON STEPS.

A 75 DEEP SAND BEDDING CONFORMING TO ARTICLE 1003.01 (FA 1 OF AF 2) SHALL BE PROVIDED UNDER THE FULL LENGTH AND WIDTH OF PRECAST UNITS.

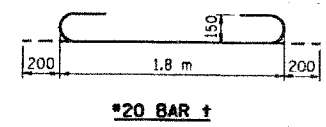
ALL VOIDS AROUND PIPE ENTRANCES, BOTH INSIDE AND OUTSIDE SHALL BE SEALED WITH MORTAR.

EACH DRAINAGE STRUCTURE SHALL BE EXCAVATED FOR AND BACKFILLED IN ACCORDANCE WITH THE REQUIREMENTS OF ARTICLE 602.11 OF THE STANDARD SPECIFICATIONS.

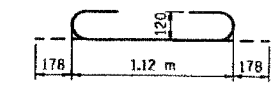
IN ADDITION TO THE REQUIREMENTS OF ARTICLE 602.15 OF THE STANDARD SPECIFICATIONS, THE CONTRACT UNIT PRICE FOR DRAINAGE STRUCTURE SHALL INCLUDE THE SAND CUSHION WHEN REQUIRED, FURNISHING AND INSTALLING STEPS WHEN REQUIRED, AND FURNISHING AND COMPACTING THE SPECIFIED BACKFILL MATERIAL.

WHERE THE ADJACENT SHOULDER OR PAVEMENT THICKNESS EXCEEDS THAT OF THE NEW FRAME, THE CONTRACTOR SHALL INSTALL THE CATCH BASIN LID FLUSH OR LOWER THAN THE BOTTOM OF THE ADJACENT SHOULDER OR PAVEMENT AND ADJUST THE FRAME AND LID IN ACCORDANCE WITH APPLICABLE PORTIONS OF SECTION 503 OF THE STANDARD SPECIFICATIONS.

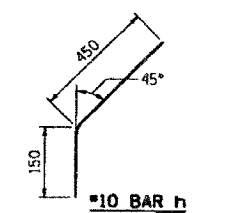
IN ADDITION TO THE REQUIREMENTS OF ARTICLE 602.15 OF THE STANDARD SPECIFICATIONS, THE CONTRACT UNIT PRICE FOR THE DRAINAGE STRUCTURE SHALL INCLUDE THE SAND CUSHION, ADJUSTING RINGS WHEN REQUIRED AND FURNISHING AND COMPACTING THE SPECIFIED BACKFILL MATERIAL.



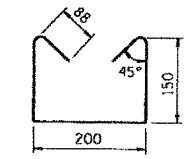
#20 BAR t



#15 BAR t

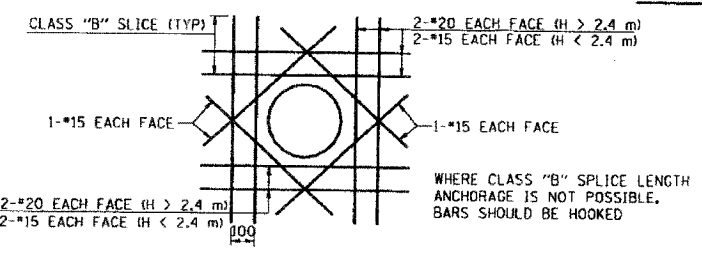


#10 BAR h

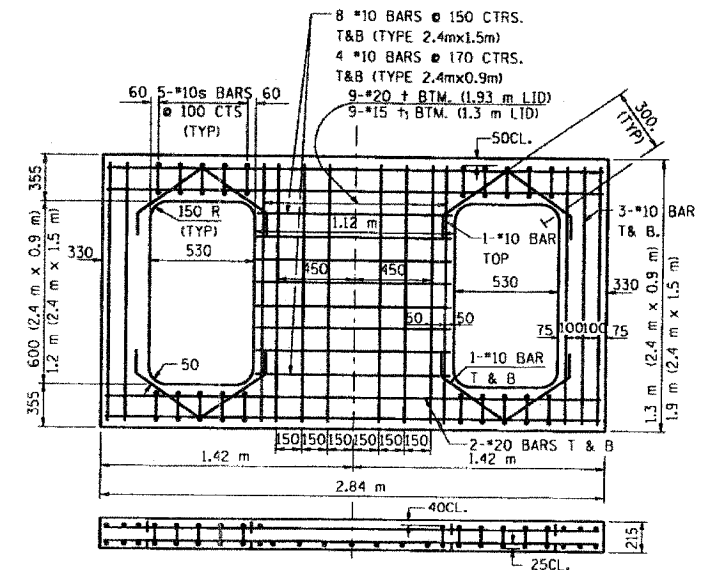


#10 BAR s

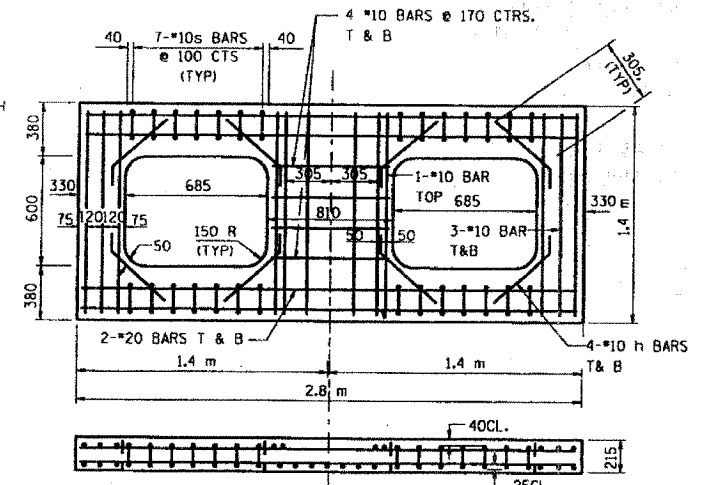
BAR DETAILS



**TYPICAL REINFORCEMENT DETAIL AROUND OPENINGS
(OPENING ≥ 300)**



**REINFORCED LID FOR
DRAINAGE STRUCTURES,
TYPE 2.4m x 0.9m & 2.4m x 1.5m
TYPE 20 & 22 FRAME & GRATE**



**REINFORCED LID FOR
DRAINAGE STRUCTURE TYPE 2.4m x 0.9m
TYPE 21 FRAME & GRATE
(FOR USE IN SAG AREAS)**

REVISIONS		ILLINOIS DEPARTMENT OF TRANSPORTATION F.A.I. ROUTE 80/94 (KINGERY EXPRESSWAY)
NAME	DATE	
ACE	02/04	<p>CATCH BASIN TYPES 2.4mx0.9m & 2.4mx1.5m FOR H ≤ 2.4</p> <p>SCALE NONE DATE 09/03</p> <p>DRAWN BY ACE/CAD CHECKED BY</p>

F:\projects\201408\PC\Contract & Structure Information\Drawings\CS-9.dgn Thu Feb 26 07:05:37 2004