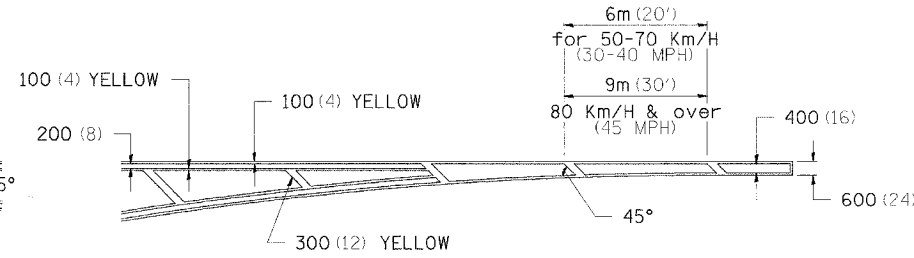
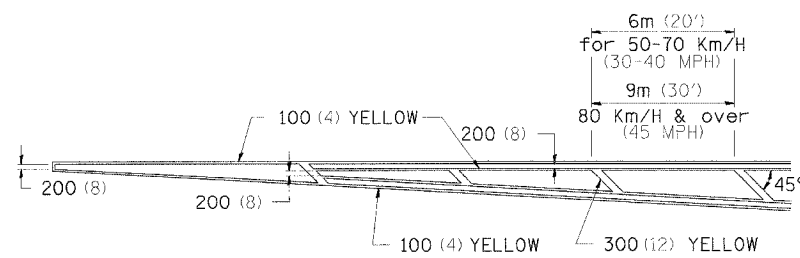


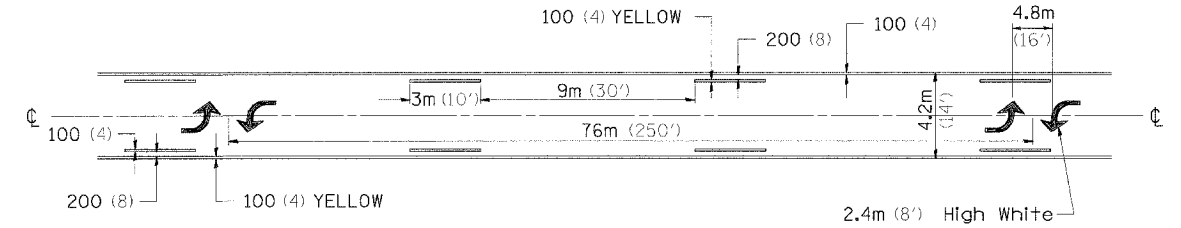
TYPICAL PAVEMENT MARKINGS

F.A.P. NO.	SECTION	COUNTY	TOTAL SHEETS	SHEET NO.
599	42MFT-BR & 42MFT-T	ROCK ISLAND	90	58
STA. 404+30 & 326+50		TO STA. 411+46 + & 338+10		
FED. ROAD DIST. NO.		ILLINOIS		FED. AID PROJECT

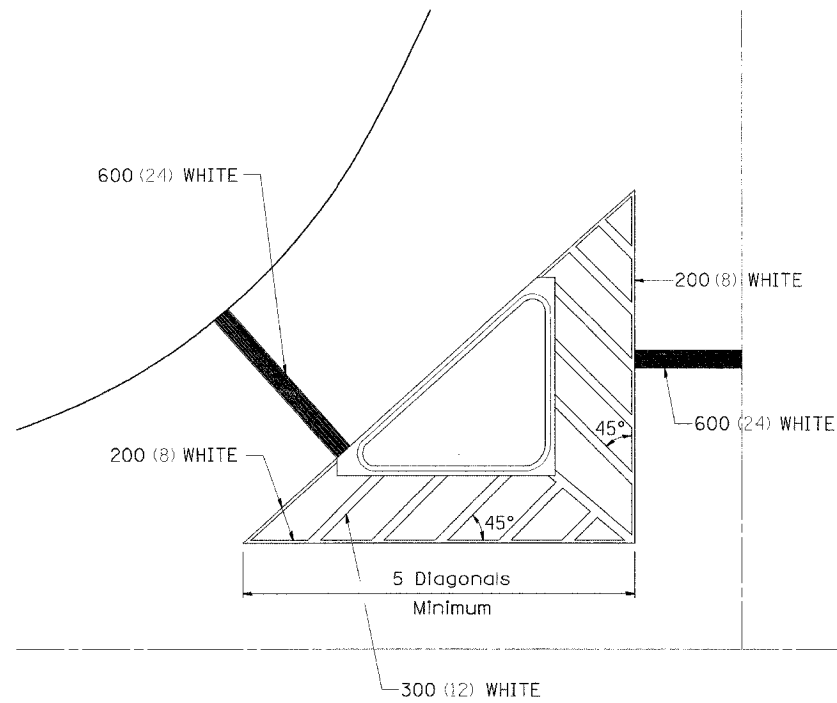
TYPICAL PAVEMENT MARKING FOR FLUSH MEDIAN



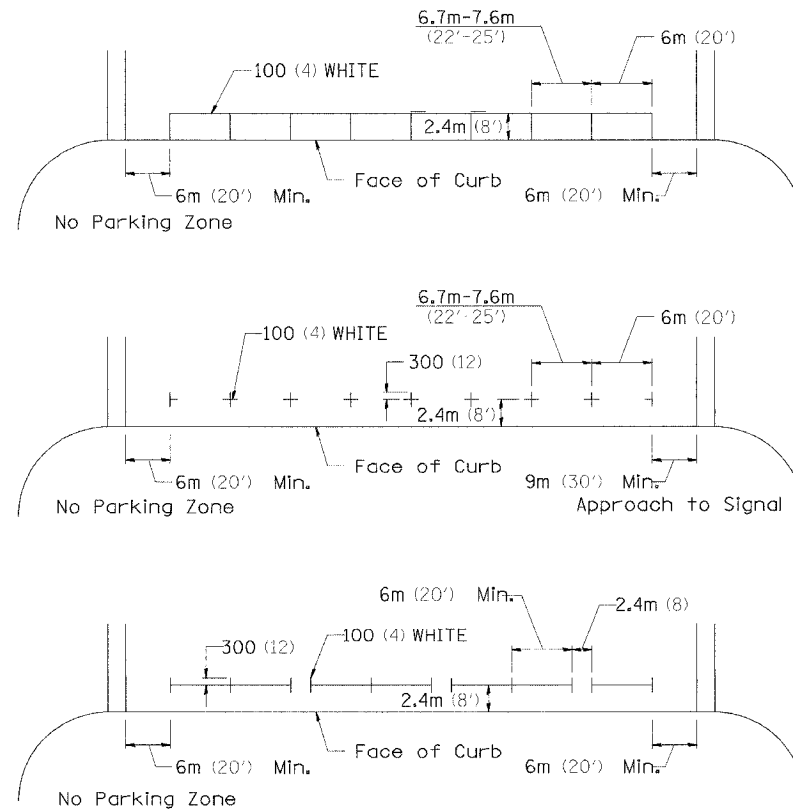
MEDIAN PAVEMENT MARKING



TYPICAL ISLAND OFFSET SHOULDER WIDTH



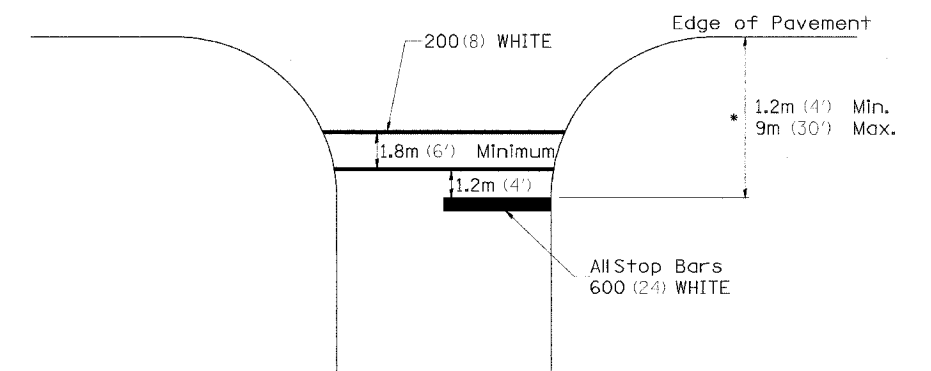
TYPICAL PARKING SPACING



** ALL DIMENSIONS ARE IN MILLIMETERS (INCHES) UNLESS OTHERWISE NOTED.

STANDARD CROSSWALK MARKING

See Schedules for Locations



* Distance to the nearest edge of the intersecting roadway in the absence of a marked crosswalk.

CHECKED BY:

DRAWN BY:

DESIGNED BY:

Thu, Feb 12, 11:04:43 2004
c:\p\projects\tag2\tag2\m08241p1.dgn