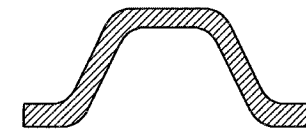
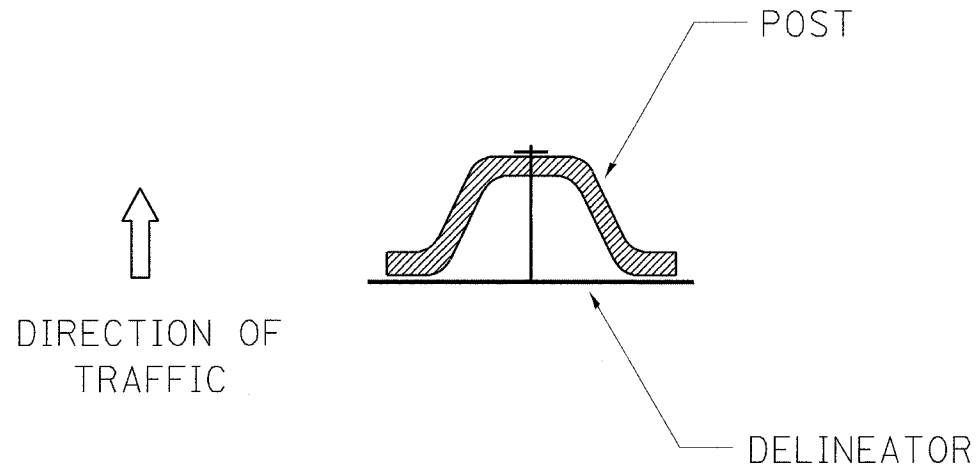
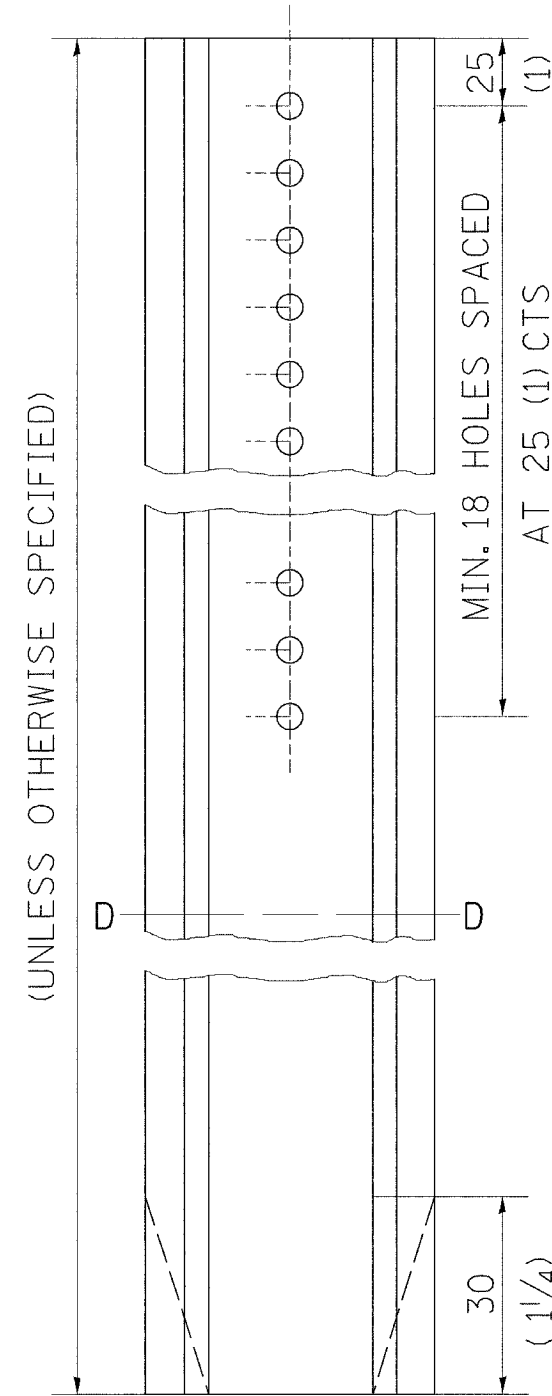


DELINEATOR AND POST ORIENTATION

F. A. P RTE.	SECTION	COUNTY	TOTAL SHEETS	SHEET NO
599	42MFT-BR & 42MFT-T	ROCK ISLAND	90	65
STA. 404+30 & 326+50		TO STA. 411+46 & 336+10		
FED. ROAD DIST. NO.		ILLINOIS	FED. AID PROJECT	



SECTION D-D



DELINEATORS SHALL BE INSTALLED ACCORDING TO STANDARD 635001 EXCEPT THAT THE POST SHALL BE ROTATED 180°. THE POST WILL HAVE THE WIDE SIDE FACING TRAFFIC AND THE DELINEATOR ATTACHED AS SHOWN ABOVE.

CHECKED BY:

DRAWN BY:

DESIGNED BY:

Tue Nov 04 09:55:17 2003
c:\projects\2stnds\z37p14.dgn