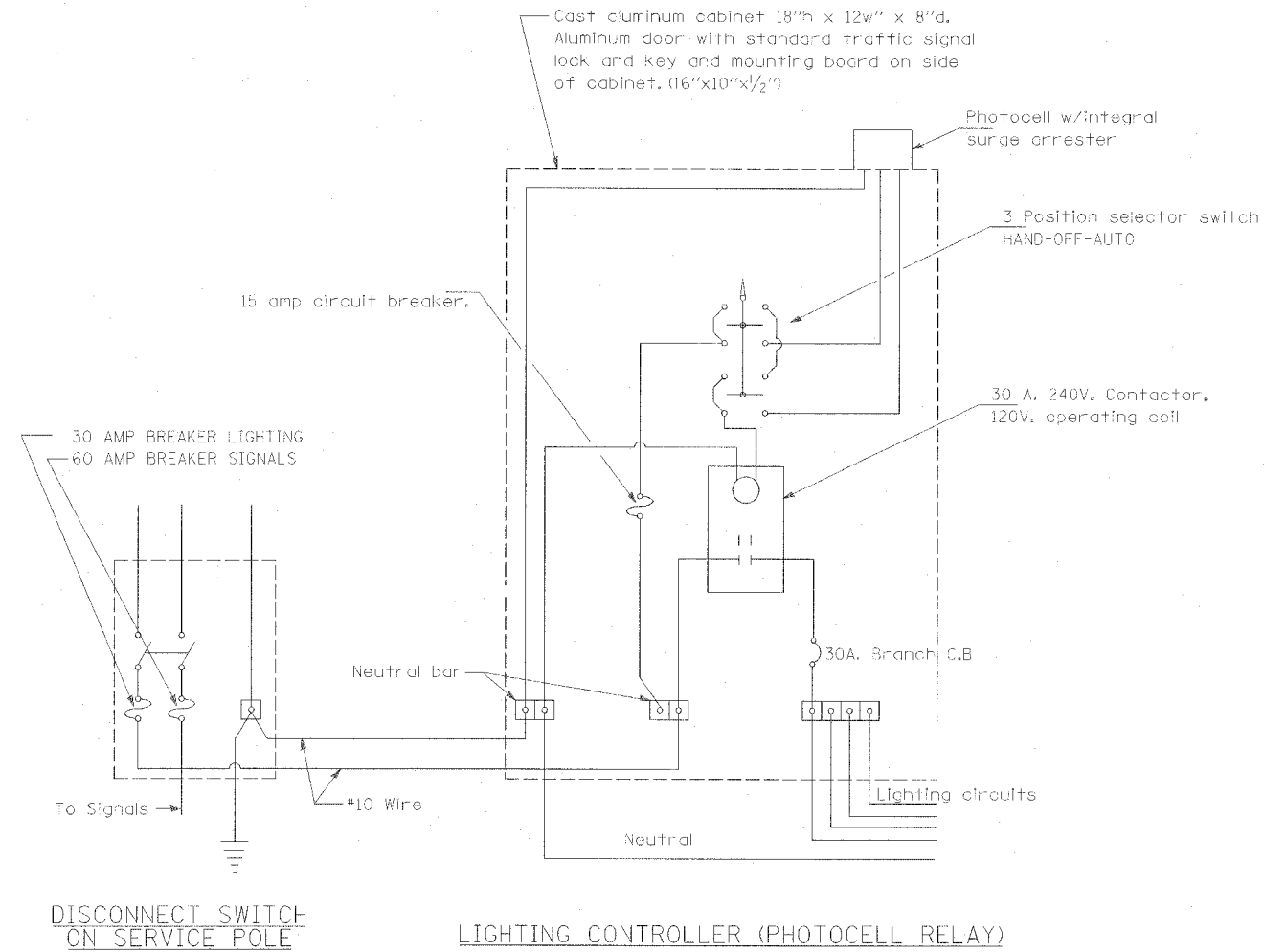
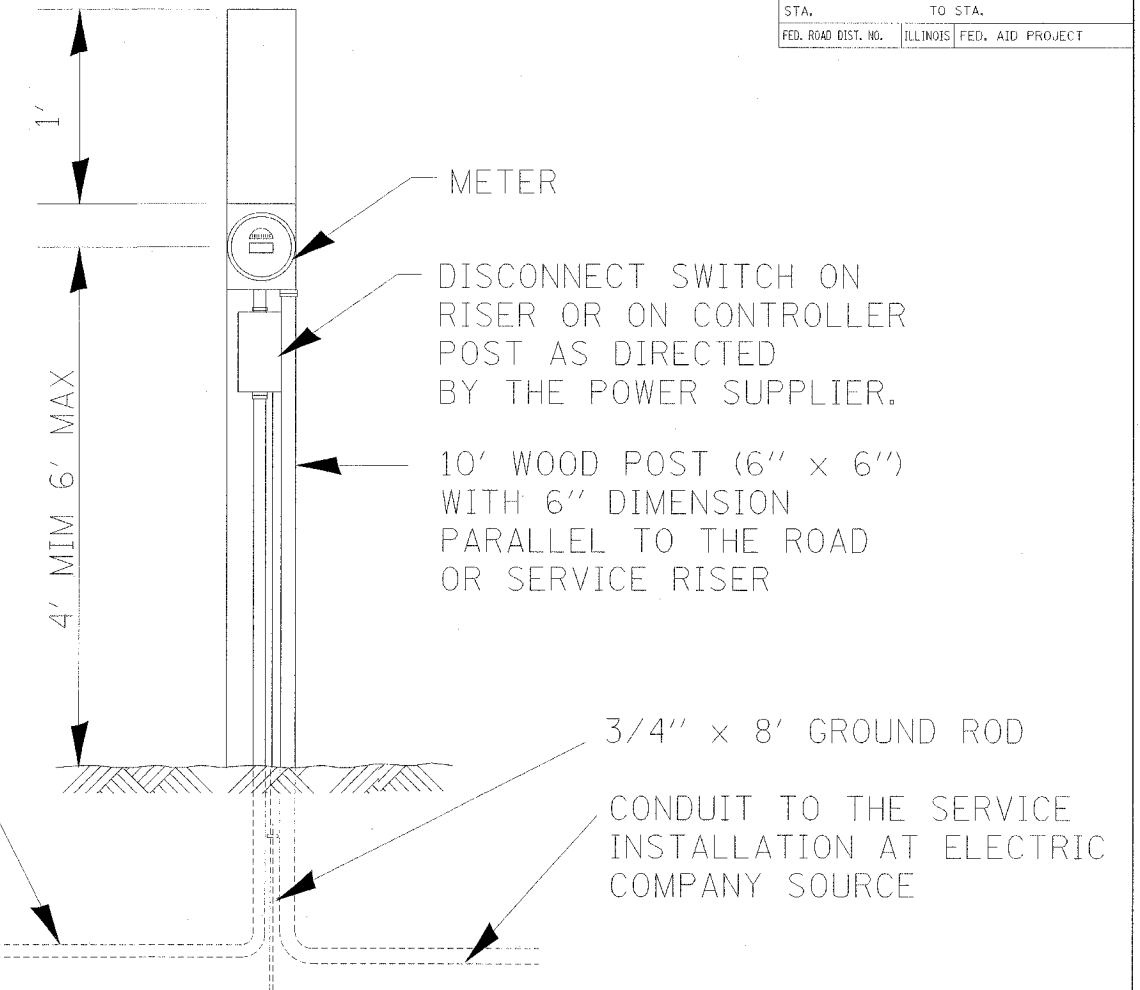


F.A.P. RTE.	SECTION	COUNTY	TOTAL SHEETS	SHEET NO.
517	L-M-3	BOONE	68	34
STA.		TO STA.		
FED. ROAD DIST. NO.	ILLINOIS	FED. AID PROJECT		

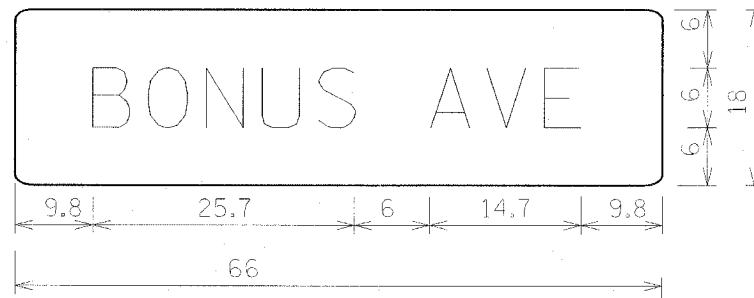


CONDUIT TO THE CONTROLLER CABINET



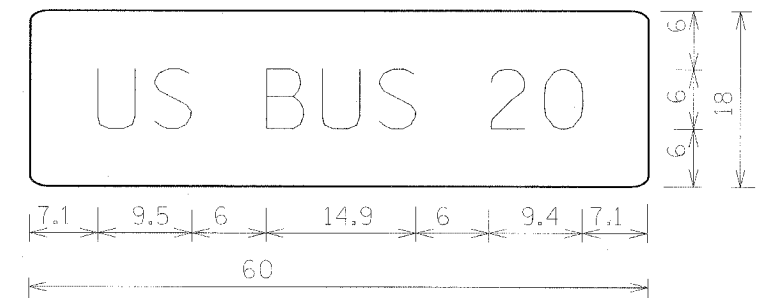
NOTE: DETAIL ONLY SHOW GENERAL SERVICE WHICH VARIES BY PROVIDERS

ELECTRIC SERVICE INSTALLATION, SPECIAL
(SEE SPECIAL PROVISIONS)



1.5" Radius, 0.5" Border, 0.4' Indent, White on Green;
[BONUS AVE] D;
Table of letter and object lefts

B	O	N	U	S	A	V	E
9.8	15.0	20.6	26.0	31.5	41.5	46.9	52.5



1.5" Radius, 0.5" Border, 0.4' Indent, White on Green;
[US BUS 20] D;
Table of letter and object lefts

U	S	B	U	S	2	0
7.1	12.6	22.6	28.0	33.5	43.5	48.7

NOTE: ALL UNITS IN INCHES UNLESS SPECIFIED.

SIGN PANEL DETAILS
(PER STANDARD 720016-01 STYLE e)