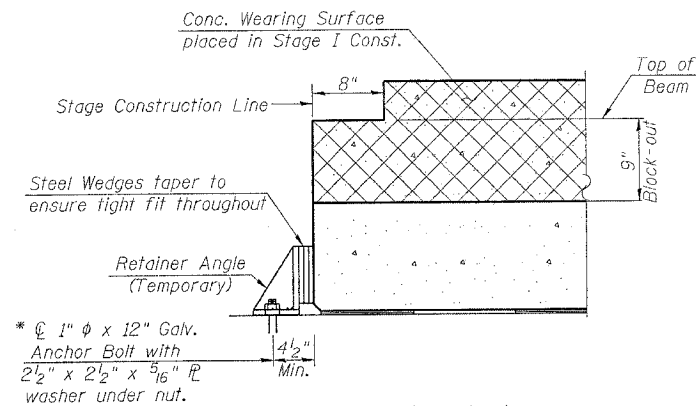


STATE OF ILLINOIS  
DEPARTMENT OF TRANSPORTATION

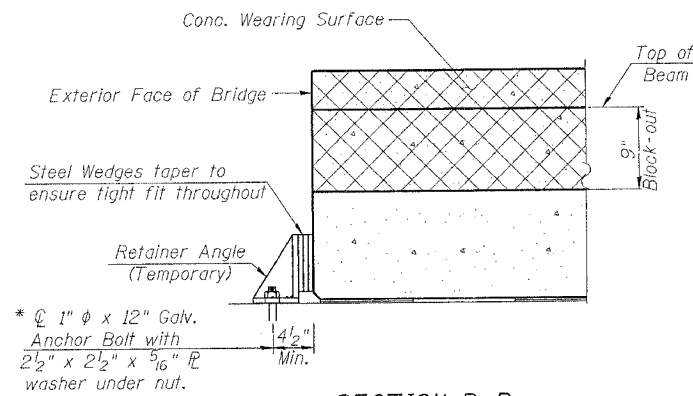
ROUTE NO.	SECTION	COUNTY	IS/PS SHEETS	SHEET NO.	SHEET NO. 8
FAP 22	127BR-1	HENRY	33	21	16 SHEETS
FED. ROAD DIST. NO. 7	ILLINOIS	FED. AID PROJECT-			

Contract # 64B24



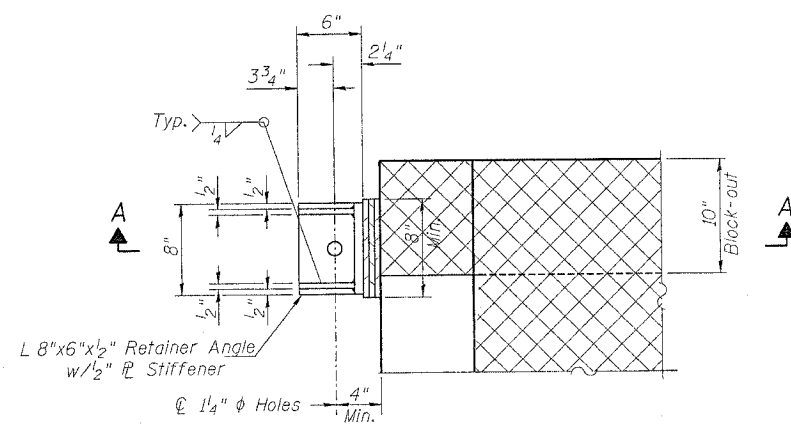
SECTION A-A

\* Anchor bolts may be cast into the masonry or approved threaded rod may be placed in drilled holes and grouted in place. Cost of retainer and accessories are included with Precast Prestressed Concrete Deck Beams.



SECTION B-B

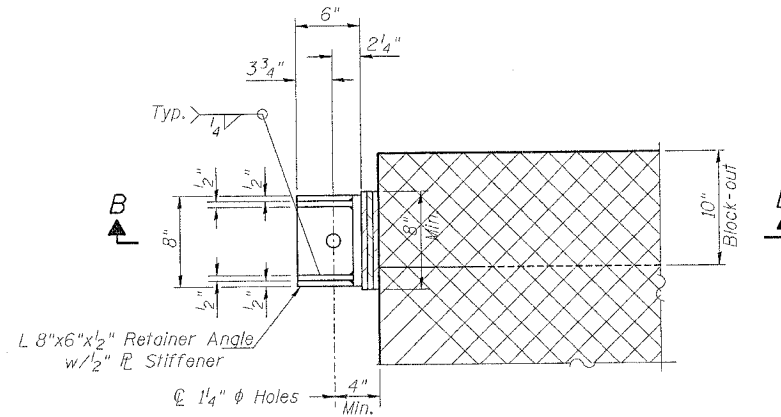
\* Anchor bolts may be cast into the masonry or approved threaded rod may be placed in drilled holes and grouted in place. Cost of retainer and accessories are included with Precast Prestressed Concrete Deck Beams.



PLAN

BEAM RETAINER DETAILS @ STAGE CONST.

(3 Required)



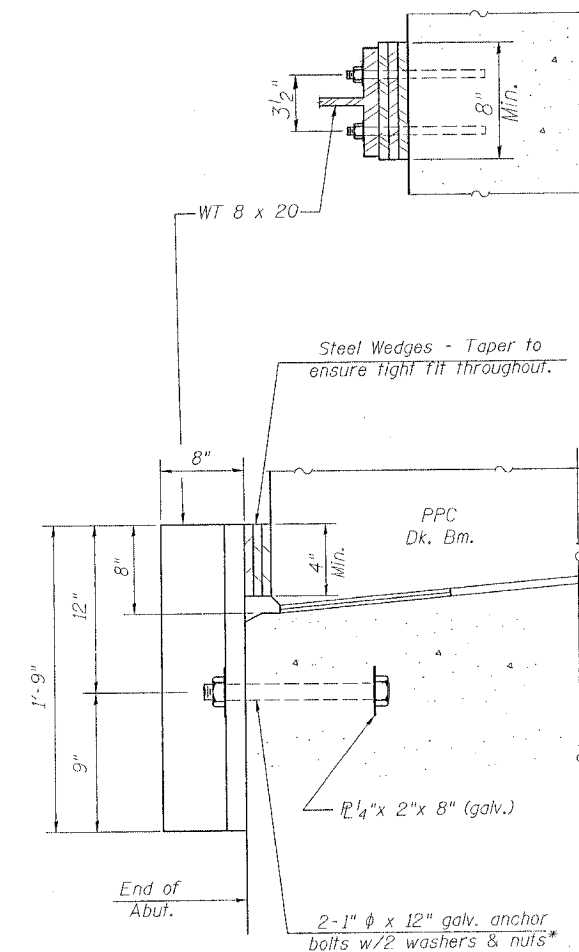
PLAN

BEAM RETAINER DETAILS @ EXTERIOR BEAMS

(6 Required)

Note:  
After Stage I block-outs are poured and cured the retainer angles shall be removed. Anchor bolts shall be burned or cut off flush with the concrete surface. Grind anchor bolt smooth and seal with epoxy.

Note:  
After Stage II block-outs are poured and cured the retainer angles shall be removed. Anchor bolts may be left in place.



ALTERNATE RETAINER

DESIGNED	BAS
CHECKED	KEF & RJA
DRAWN	
CHECKED	

SUPERSTRUCTURE DETAILS  
IL 78 OVER MUD CREEK  
F.A.P. RTE. 22 - SECTION 127BR-1  
HENRY COUNTY  
STA. 542+78.43 - STR. NO. 037-0125