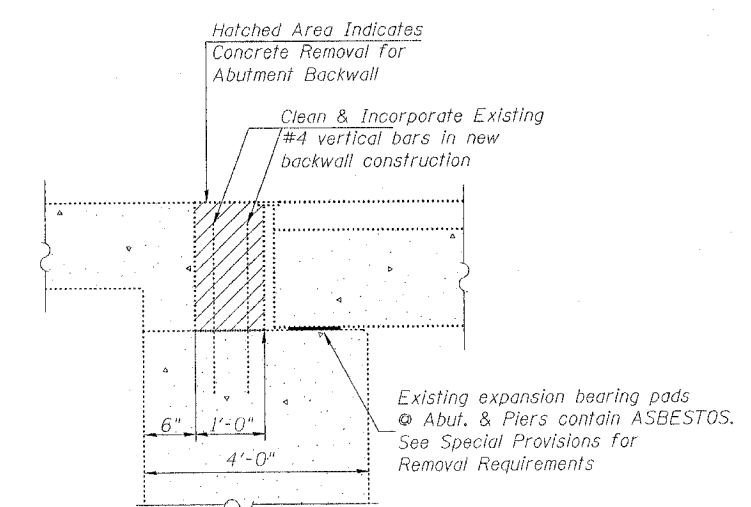
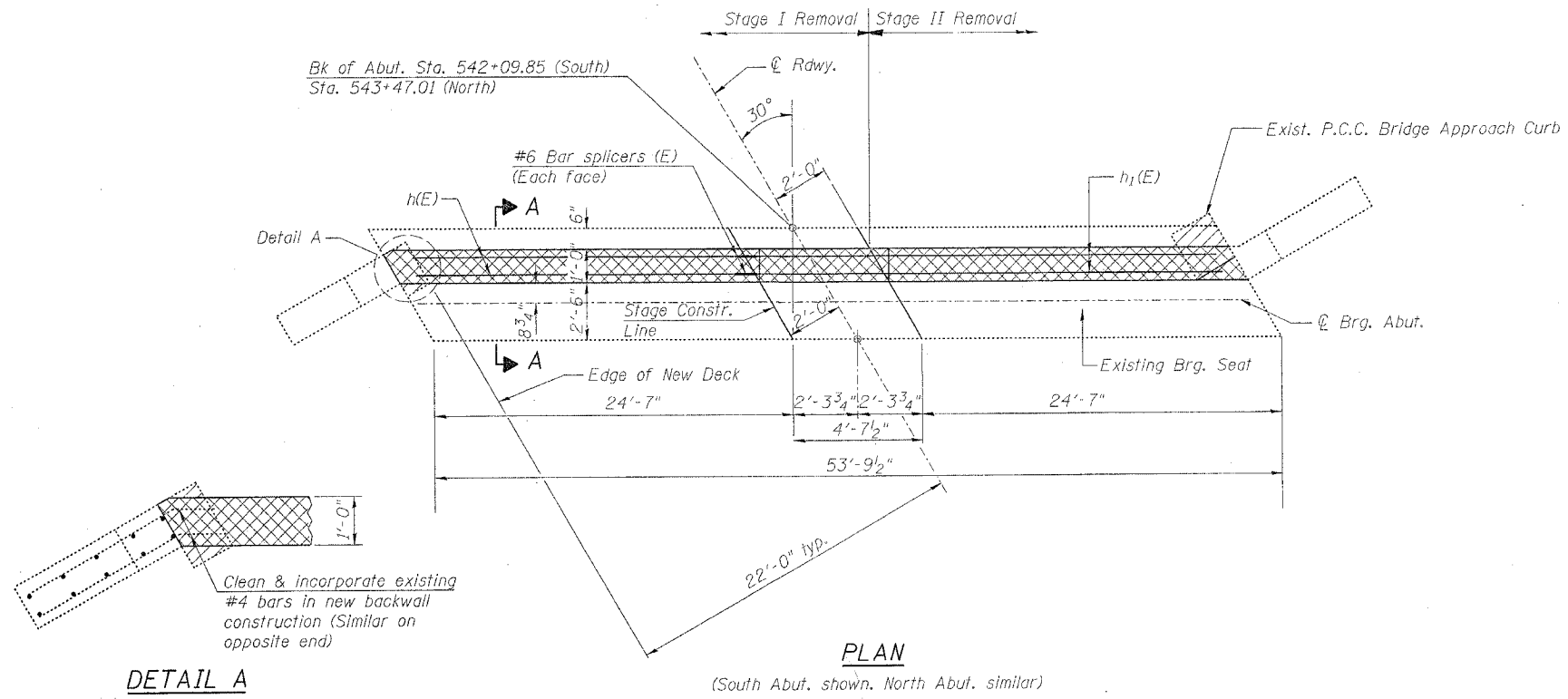


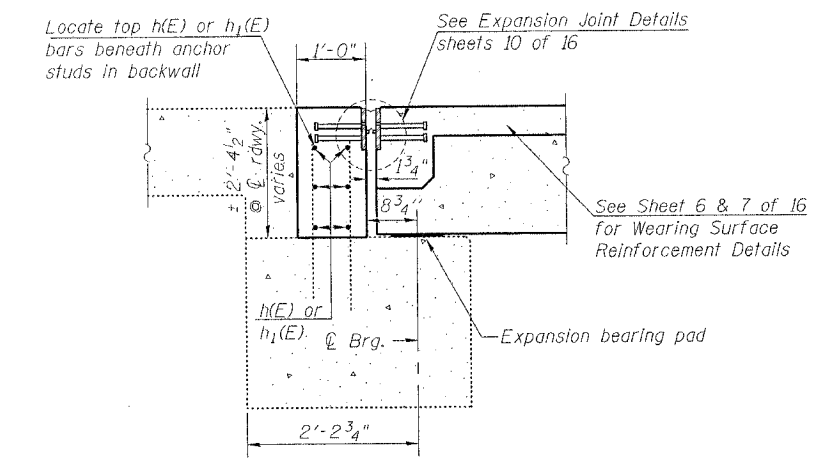
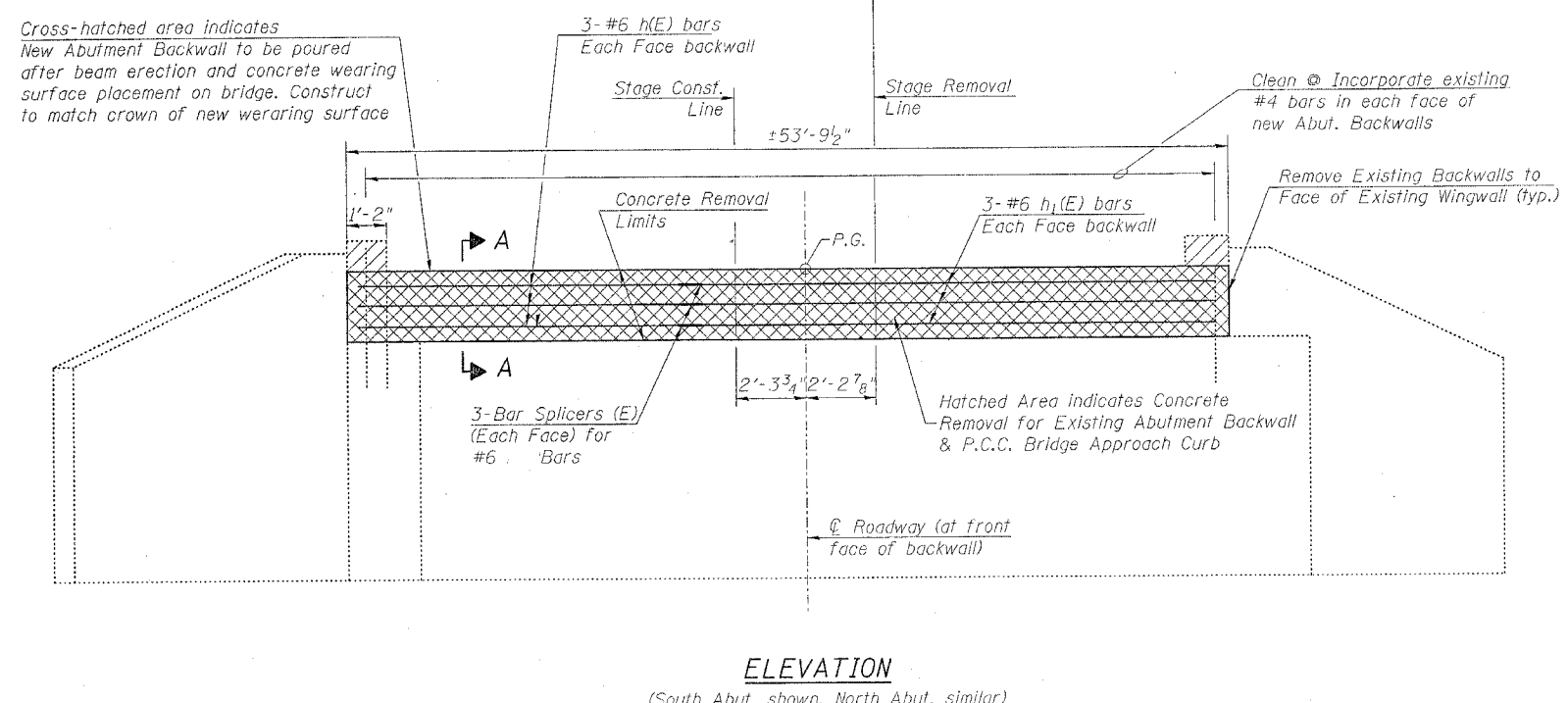
STATE OF ILLINOIS  
DEPARTMENT OF TRANSPORTATION

ROUTE NO.	SECTION	COUNTY	TOTAL SHEETS	SHEET	SHEET NO. 13 16 SHEETS
FAP 22	127BR-1	HENRY	33	27	
FED. ROAD DIST. NO. 7	ILLINOIS	FED. AID PROJECT-			

Contract # 64B24



**DETAIL A**



DESIGNED	BAS
CHECKED	KEF & RJA
DRAWN	
CHECKED	

**BILL OF MATERIAL  
(BOTH ABUTMENTS)**

Bar	No.	Size	Length	Shape	
h(E)	12	#6	24'-4"	—	
h1(E)	12	#6	28'-4"	—	
Reinforcing Bars, Epoxy Coated				Pound	950
Concrete Removal				Cu. Yd.	9.5
Concrete Structures				Cu. Yd.	9.3

ABUTMENT DETAILS  
IL 78 OVER MUD CREEK  
F.A.P. RTE. 22 - SECTION 127BR-1  
HENRY COUNTY  
STA. 542+78.43 - STR. NO. 037-0125