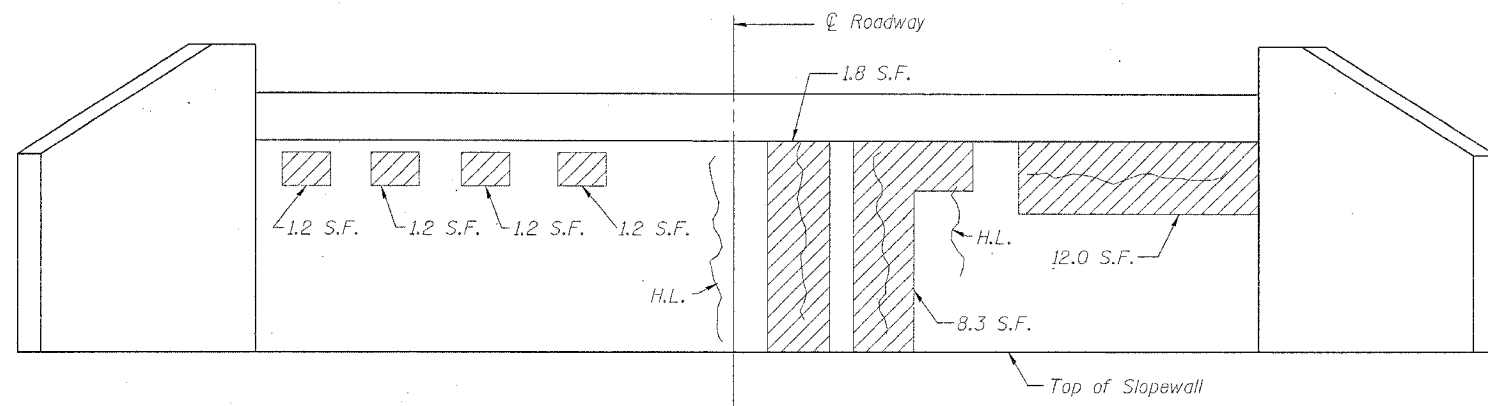


STATE OF ILLINOIS  
DEPARTMENT OF TRANSPORTATION

ROUTE NO.	SECTION	COUNTY	SHEET NO.	SHEET NO.
FAP 22	I27BR-1	HENRY	33	28
FED. ROAD DIST. NO. 7	ILLINOIS	FED. AID PROJECT		

Contract # 64B24

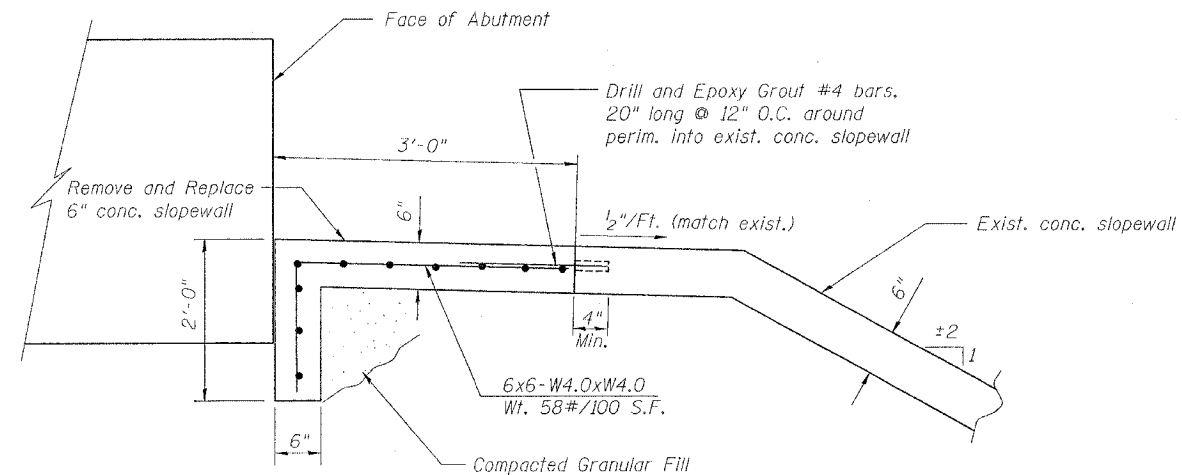
SHEET NO. 14  
16 SHEETS



**ELEVATION OF S. ABUTMENT**  
(Looking South)

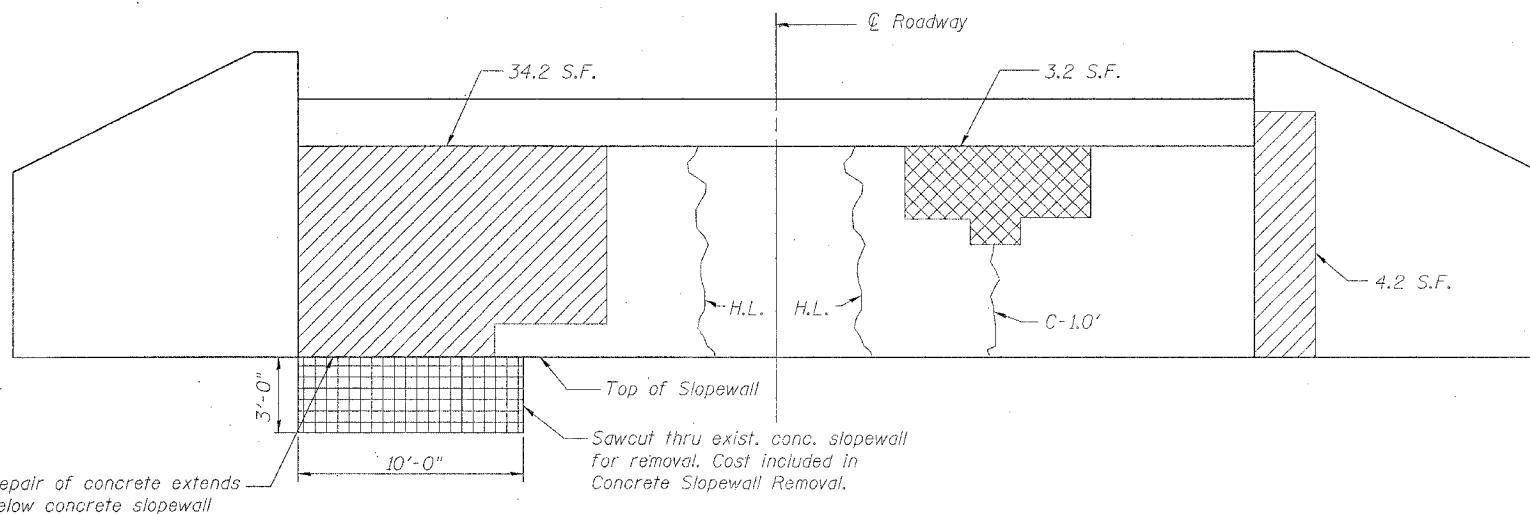
EXISTING BEARING SEAT TO BE INSPECTED BY THE ENGINEER AFTER DECK BEAM REMOVAL. DETERIORATED CONCRETE AREAS SHALL BE REPAIRED (FORMED CONCRETE REPAIR DEPTH < 5") AND CRACKS SHALL BE SEALED (EPOXY CRACK SEALING) IF FOUND.

- REPAIR LEGEND**  
Inspection Date: 08-03-05
- Form Conc. Repair > 5"
  - Form Conc. Repair < 5"
  - Slopewall Removal & Replacement
  - C-8' Epoxy Crack Sealing
  - H.L. Hairline Crack (do not seal)



**SLOPEWALL REPAIR DETAIL**

Cost of Welded Wire Mesh, drilling and grouting #4 bars, placing concrete, and any necessary excavation and soil placement is included in the cost of Concrete Slopewall.



**ELEVATION OF N. ABUTMENT**  
(Looking North)

**ABUTMENTS  
BILL OF MATERIAL  
REPAIR QUANTITY SUMMARY**

ITEM	UNIT	TOTAL
Form Conc. Rep. < 5"	Sq. Ft.	65.3
Form Conc. Rep. > 5"	Sq. Ft.	3.2
Epoxy Crack Sealing	Foot	1.0
Concrete Slopewall Removal	Sq. Ft.	30.0
Concrete Slopewall	Sq. Ft.	30.0

ABUTMENT REPAIR DETAIL  
IL 78 OVER MUD CREEK  
F.A.P. RTE. 22 - SECTION I27BR-1  
HENRY COUNTY  
STA. 542+78.43 - STR. NO. 037-0125

DESIGNED	BAS
CHECKED	KEF. & RJA
DRAWN	
CHECKED	

Repair of concrete extends below concrete slopewall

Sawcut thru exist. conc. slopewall for removal. Cost included in Concrete Slopewall Removal.