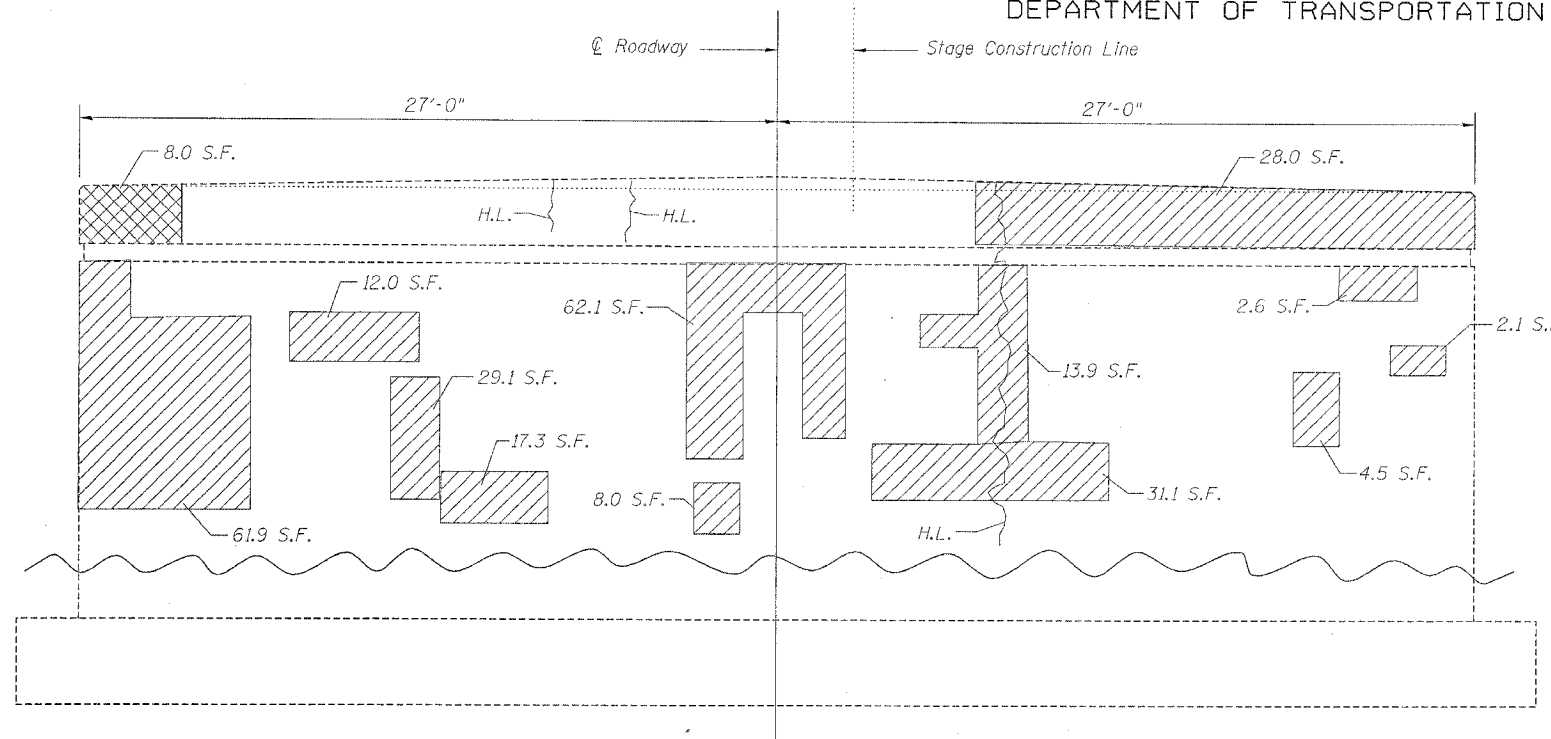


STATE OF ILLINOIS
DEPARTMENT OF TRANSPORTATION

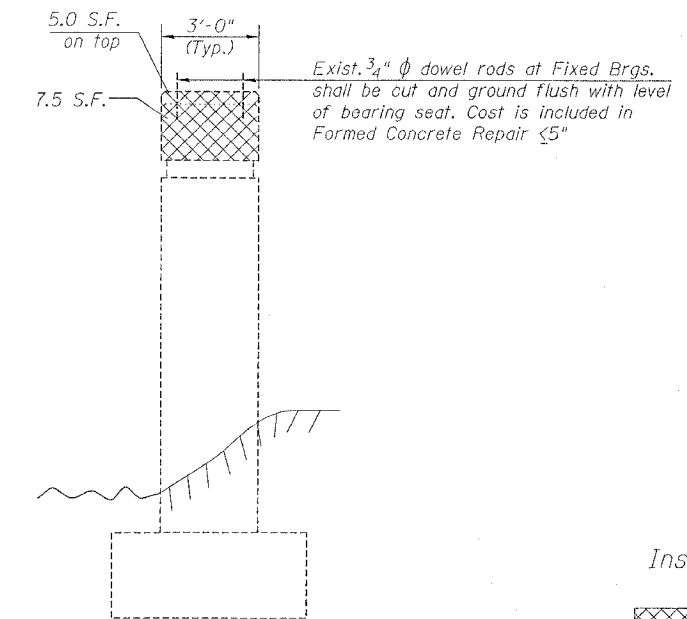
ROUTE NO.	SECTION	COUNTY	ISHP SHEETS	SHEET NO.	SHEET NO. 16
FAP 22	127BR-1	HENRY	33	30	16 SHEETS
FED. ROAD DIST. NO. 7	ILLINOIS	FED. AID PROJECT			

Contract # 64B24



EXISTING BEARING SEAT TO BE INSPECTED BY THE ENGINEER AFTER DECK BEAM REMOVAL. DETERIORATED CONCRETE AREAS SHALL BE REPAIRED (FORMED CONCRETE REPAIR DEPTH ≤ 5") AND CRACKS SHALL BE SEALED (EPOXY CRACK SEALING) IF FOUND.

SOUTH ELEVATION PIER 2

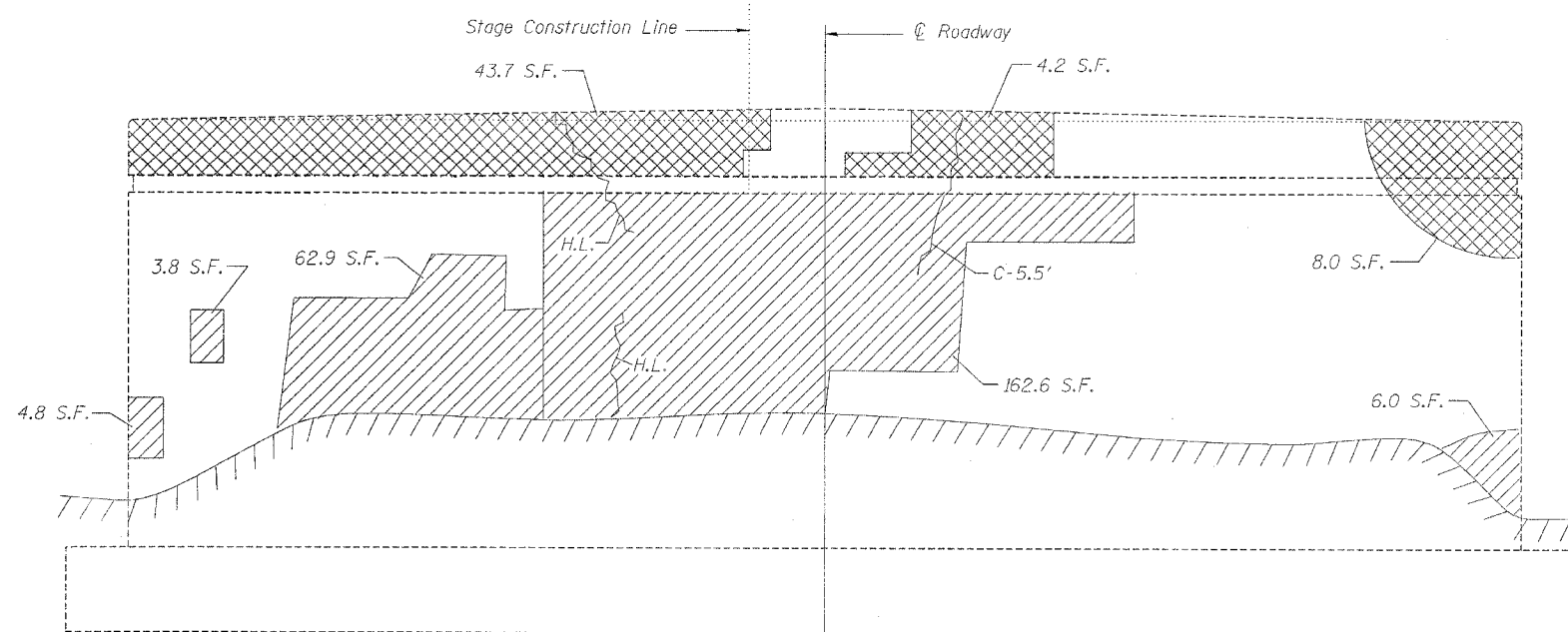


EAST ELEVATION

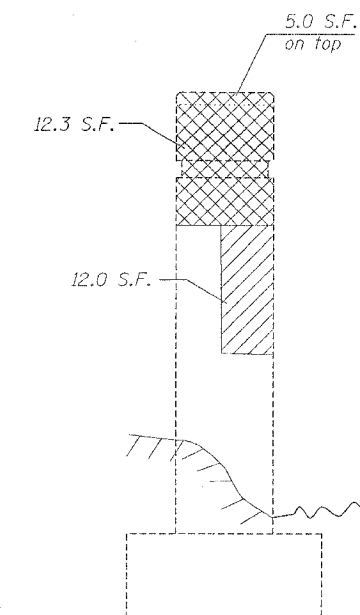
REPAIR LEGEND

Inspection Date: 08-03-05

- Form Conc. Repair > 5"
- Form Conc. Repair < 5"
- C-8' Epoxy Crack Sealing
- H.L. Hairline Crack (do not seal)



NORTH ELEVATION PIER 2



WEST ELEVATION

PIER 2
BILL OF MATERIAL
REPAIR QUANTITY SUMMARY

ITEM	UNIT	TOTAL
Form Conc. Rep. < 5"	Sq. Ft.	524.7
Form Conc. Rep. > 5"	Sq. Ft.	93.7
Epoxy Crack Sealing	Foot	5.5

DESIGNED	BAS
CHECKED	KEF & RJA
DRAWN	
CHECKED	

PIER 2 REPAIR DETAILS
IL 78 OVER MUD CREEK
F.A.P. RTE. 22 - SECTION 127BR-1
HENRY COUNTY
STA. 542+78.43 - STR. NO. 037-0125