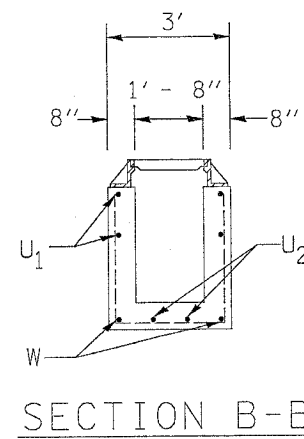
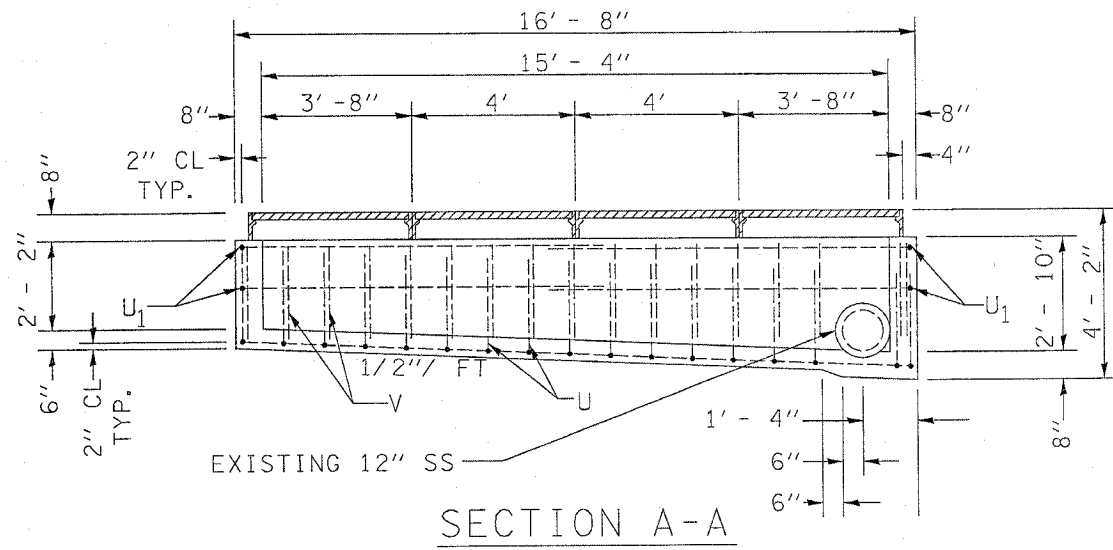


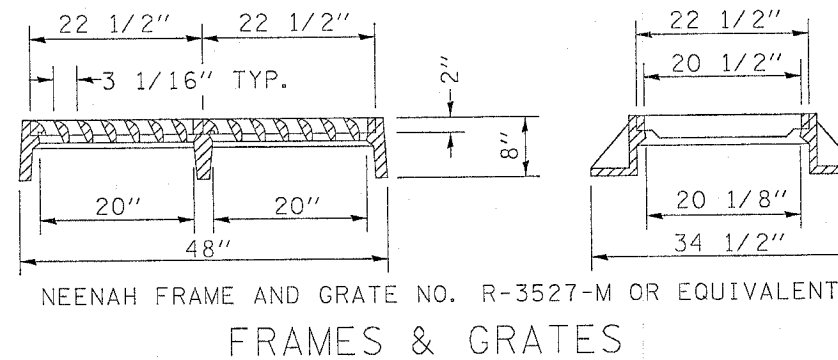
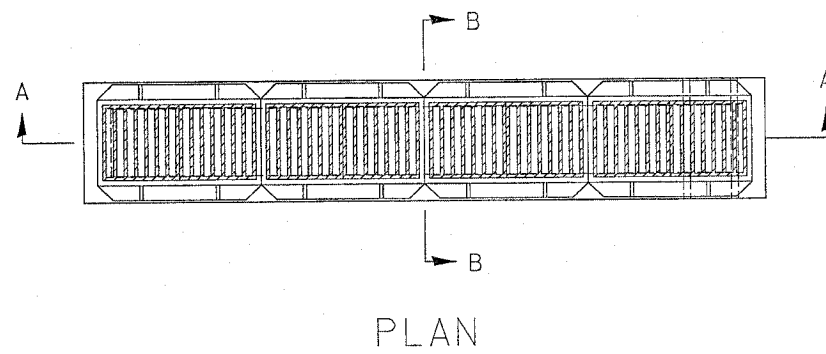
F. A. DIST.	SECTION	COUNTY	TOTAL SHEETS	SHEET NO.
80	*	BUREAU	14	12
STA.		TO STA.		
FED. ROAD DIST. NO.	ILLINOIS	FED. AID PROJECT		

• 06-4RA-1 (PAVEMENT)

INLETS, SPECIAL, NO. 7



BAR	SIZE	NO.	LENGTH	UNITS	QUANTITY
U	#4	17	7' - 2"		
U ₁	#4	4	20' - 4"		
U ₂	#4	2	21' - 6"		
V	#4	34	2' - 3"		
W	#4	2	16' - 4"		
CLASS SI CONCRETE				CU. YD.	3.16
REINFORCEMENT BARS				LBS.	237.3
FRAME & GRATE				EACH	4
NON POROUS GRAN. EMB. (6")				CU. YD.	2.68
BREAKER RUN AGGREGATE (12")				TONS	11



GENERAL NOTES

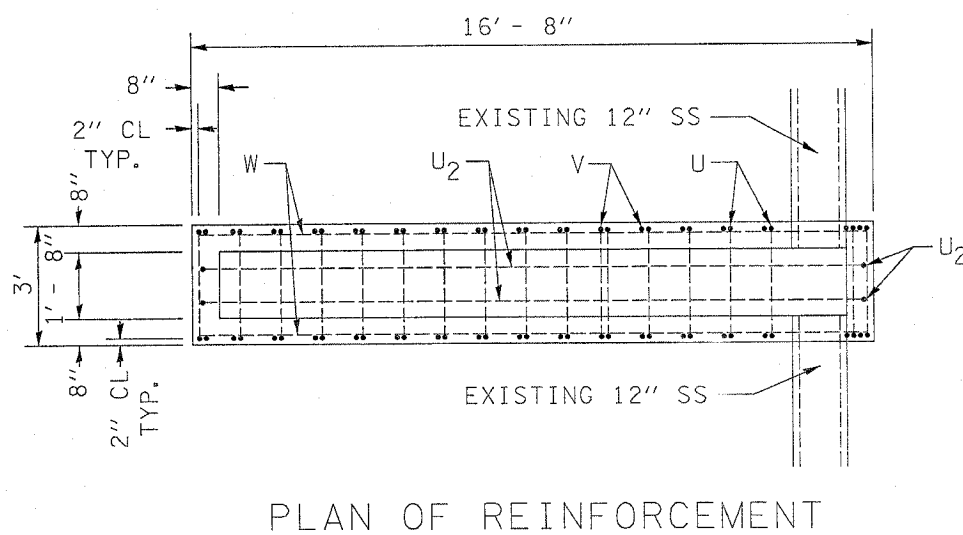
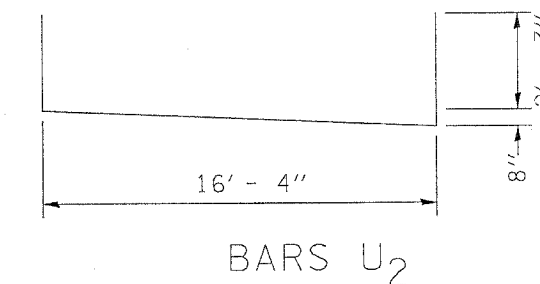
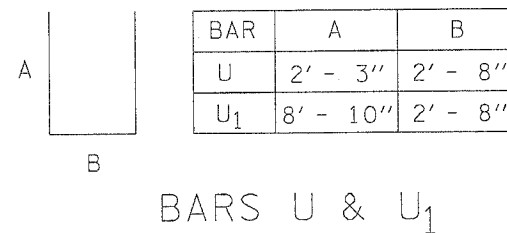
CLASS SI CONCRETE SHALL BE USED THROUGHOUT.

ALL EXPOSED EDGES EXCEPT THE UPPER PERIMETER SHALL BE BEVELED 3/4".

A LAYER OF POROUS GRANULAR BEDDING EMBANKMENT (MIN. 6") SHALL BE PLACED BELOW THE ELEVATION OF THE BOTTOM OF THE INLET AND EXTEND TWO FEET BEYOND EACH SIDE OF THE INLET ACCORDING TO SECTION 540 OF THE STANDARD SPECIFICATIONS. A 12" LAYER OF BREAKER-RUN CRUSHED STONE SHALL BE PLACED UNDER THE POROUS GRANULAR EMBANKMENT.

THE CONTRACTOR SHALL TACK WELD THE GRATES TO THE FRAMES AT EACH LOCATION.

THE CONTRACT UNIT PRICE EACH FOR INLETS, SPECIAL, NO. 7 SHALL INCLUDE THE COST OF CONSTRUCTING THE INLET BOX, FURNISHING AND INSTALLING THE FOUR FRAMES AND GRATES, CLASS SI CONCRETE, REINFORCEMENT BARS, POROUS GRANULAR EMBANKMENT, BREAKER-RUN CRUSHED STONE AND TACK WELDING.



CHECKED BY:

DRAWN BY:

DESIGNED BY:

25-MAR-2009 08:00:00 ADONIS 1547-1-09-3