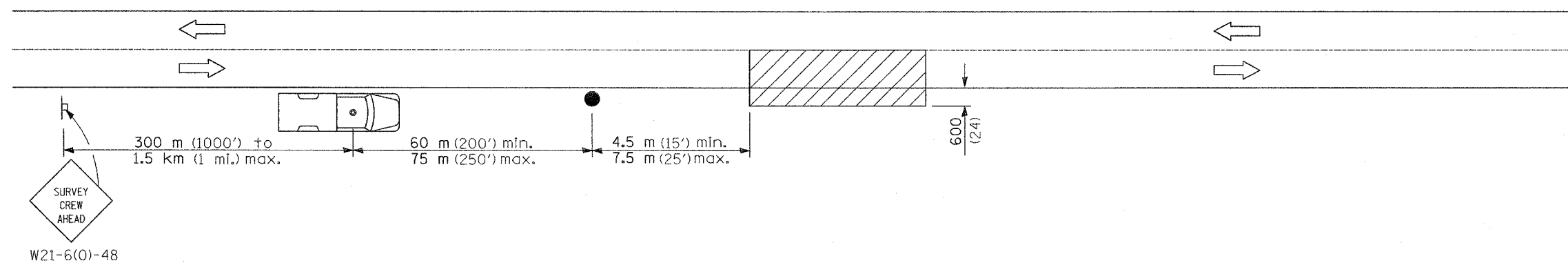
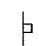



F.A.I. RTE.	SECTION	COUNTY	TOTAL SHEETS	SHEET NO.
80	32-2HBR	GRUNDY	171	84C
STA.		TO STA.		
FED. ROAD DIST. NO.	ILLINOIS	FED. AID PROJECT		
CONTRACT NO. 66412				




SYMBOLS

 Work area

 Sign on portable or permanent support

 Truck with flashing amber light and dual emergency flashers

 Flagger with traffic control sign

TYPICAL APPLICATIONS
Utility operations

All dimensions are in millimeters (inches) unless otherwise shown.

DATE	REVISIONS

DETAIL FOR
NIGHTTIME LIGHTING
INSPECTION

ADDED SHEET 1-6-06 MJ

LGTO17.M32