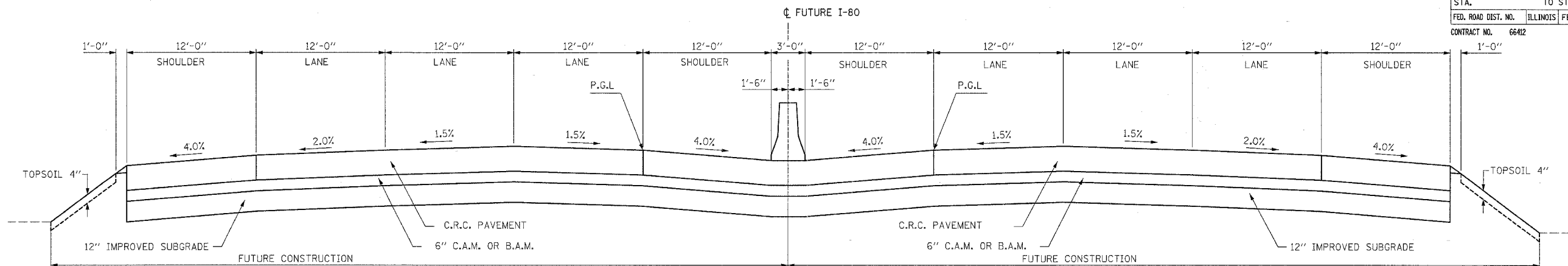
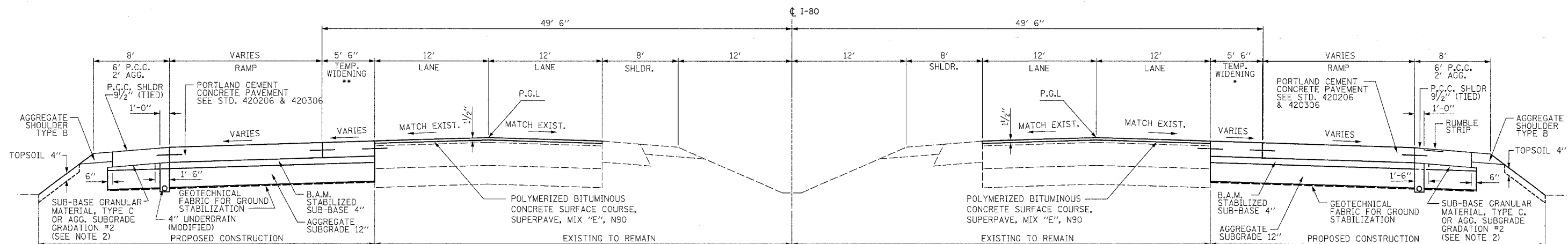


F.A.I. RTE.	SECTION	COUNTY	TOTAL SHEETS	SHEET NO.
80	32-2HBR	GRUNDY	171	10
STA.		TO STA.		
FED. ROAD DIST. NO.		ILLINOIS	FED. AID PROJECT	
CONTRACT NO. 66412				



TYPICAL SECTION FUTURE I-80 6 LANE SECTION



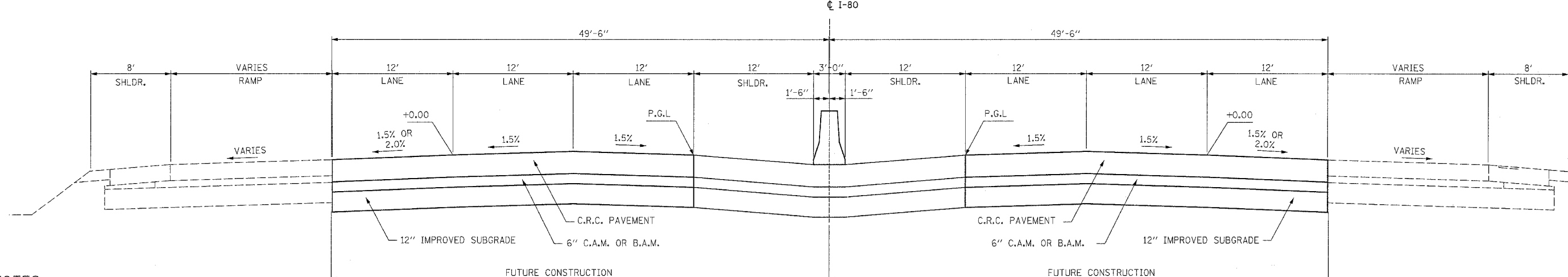
TYPICAL SECTION EXISTING I-80 SECTION WITH PROPOSED RAMPS (SEE NOTE 1)

** STA. 802+61.92 LT TO STA. 807+23.71 LT
 STA. 833+17.57 LT TO STA. 836+77.59 LT

STA. 791+36.73 LT TO STA. 807+23.71 LT
 STA. 833+17.57 LT TO STA. 840+44.02 LT

STA. 800+52.68 RT TO STA. 808+15.65 RT
 STA. 830+52.32 RT TO STA. 846+34.05 RT

* STA. 804+55.62 RT TO STA. 808+15.65 RT
 STA. 830+52.32 RT TO STA. 837+83.83 RT



TYPICAL SECTION FUTURE I-80 6 LANE SECTION (FUTURE CONSTRUCTION IN THE VICINITY OF THE RAMPS)

STA. 791+36.73 LT TO STA. 807+23.71 LT
 STA. 833+17.57 LT TO STA. 840+44.02 LT

STA. 800+52.68 RT TO STA. 808+15.65 RT
 STA. 830+52.32 RT TO STA. 846+34.05 RT

NOTES:

1. THE ENTRANCE AND EXIT TERMINALS ARE DESIGNED TO APPLICABLE IDOT STANDARDS BASED ON THE FUTURE 6 LANE I-80 SECTION. TEMPORARY WIDENING SHALL BE USED BETWEEN THE CURRENT EDGE OF PAVEMENT (I-80) AND THE FUTURE EDGE OF PAVEMENT (I-80).
 2. THIS MATERIAL SHALL NOT BE PAID FOR SEPARATELY BUT SHALL BE CONSIDERED INCLUDED IN THE CONTRACT UNIT PRICE FOR AGGREGATE SUBGRADE 12".
- FUTURE = PLANNED WORK NOT INCLUDED IN THIS CONTRACT
 PROPOSED = WORK INCLUDED IN THIS CONTRACT

REVISIONS	
NAME	DATE

ILLINOIS DEPARTMENT OF TRANSPORTATION
**I-80 (F.A.I. 80) AT
 SENECA ROAD (F.A.P. 623)
 GRUNDY COUNTY**
 TYPICAL SECTIONS
 F.A.I. 80

SCALE: N.T.S.
 DATE 10/14/05

DRAWN BY NMR/BJG
 CHECKED BY DJL/JPL