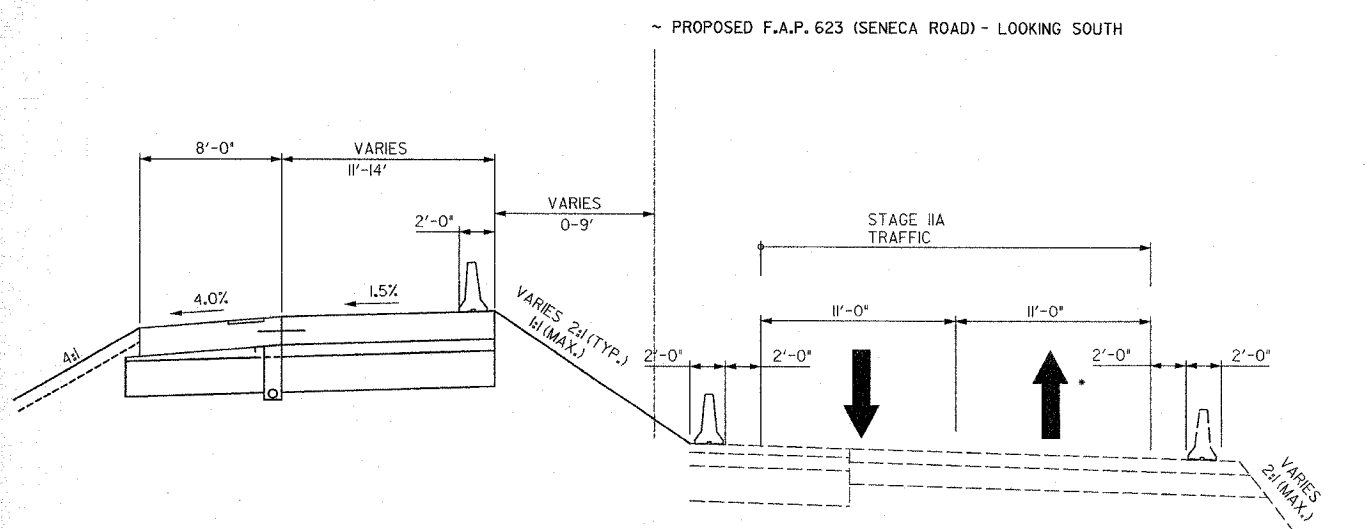
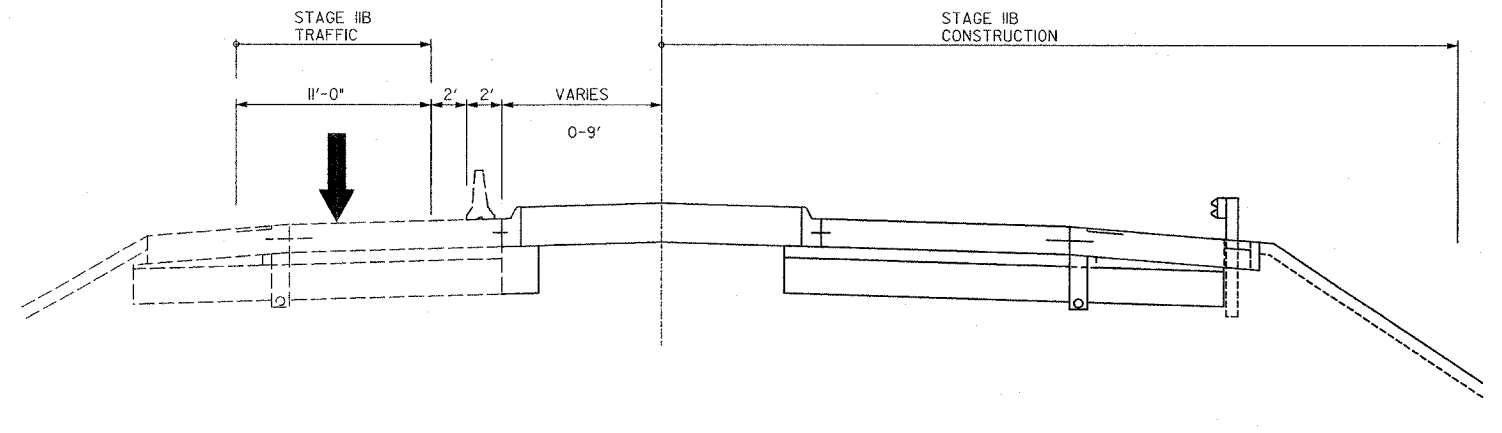


F.A.I. RTE. NO.	SECTION	COUNTY	TOTAL SHEETS	SHEET NO.
80	32-2HBR	GRUNDY	171	60
STA.		TO STA.		
FED. ROAD DIST. NO.		ILLINOIS	FED. AID PROJECT	
CONTRACT NO.		6642		

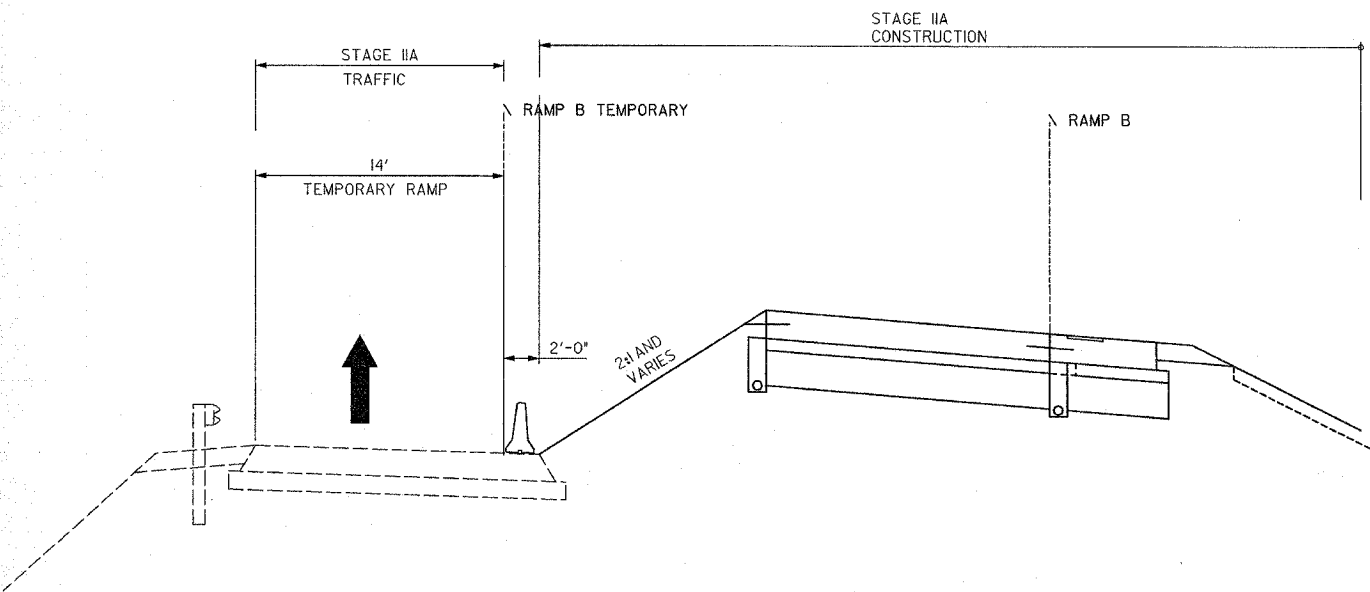


SENECA ROAD STAGE IIA

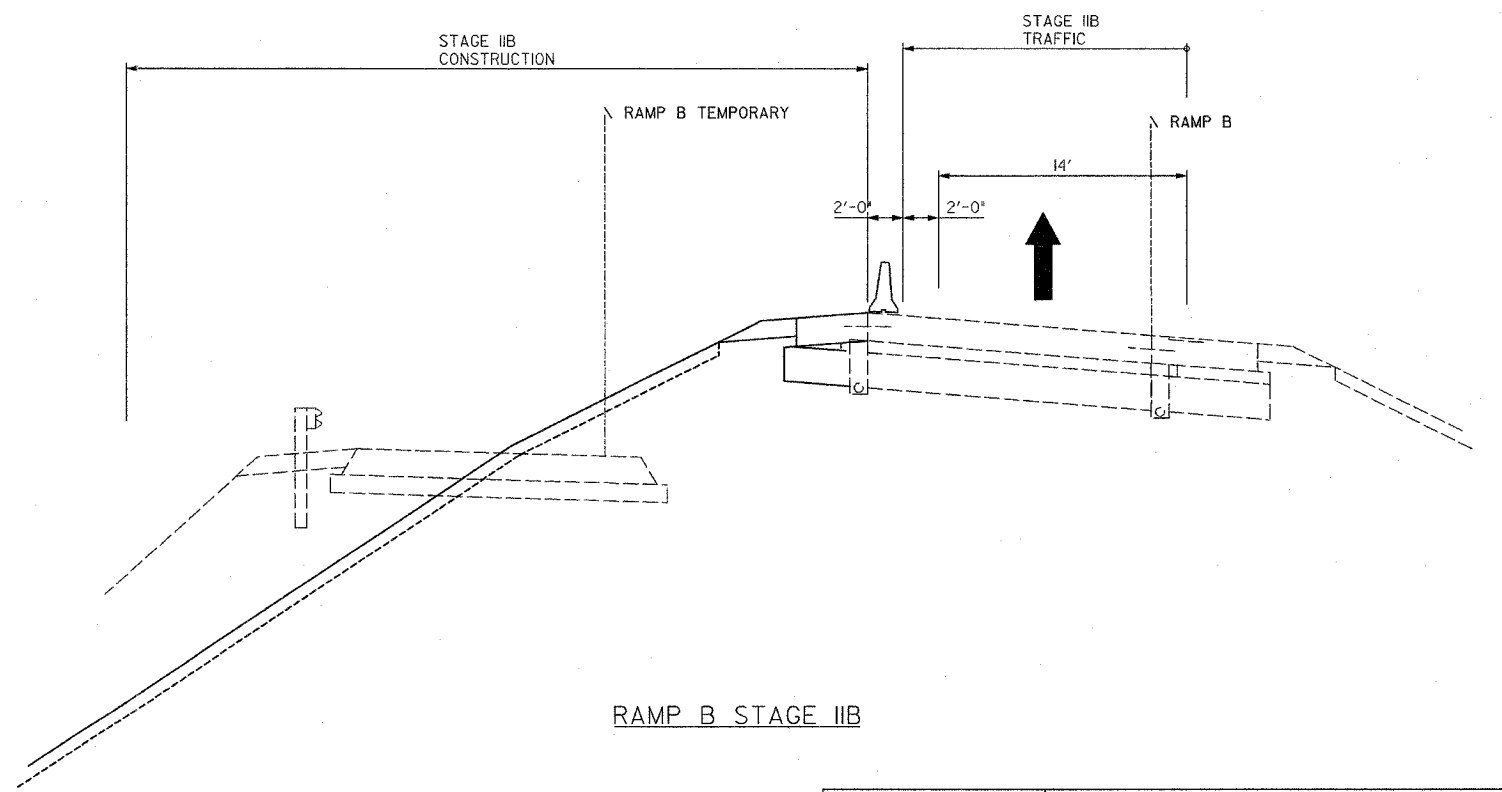
\* MAINTAIN 2 LANES OF TRAFFIC FROM STA 32+43 TO THE SOUTH PROJECT LIMITS TO PROVIDE ACCESS TO THE WHISPERING PINES RV BUSINESS



SENECA ROAD STAGE IIB



TEMPORARY RAMP B STAGE IIA



RAMP B STAGE IIB

REVISIONS	
NAME	DATE

ILLINOIS DEPARTMENT OF TRANSPORTATION  
**I-80 (F.A.I. 80) AT  
 SENECA ROAD (F.A.P. 623)  
 GRUNDY COUNTY**  
 TRAFFIC CONTROL AND PROTECTION  
 TYPICAL SECTIONS STAGES IIA & IIB  
 SCALE: N.T.S. DRAWN BY NMR/BJG  
 DATE 10/14/05 CHECKED BY DJL/JPL