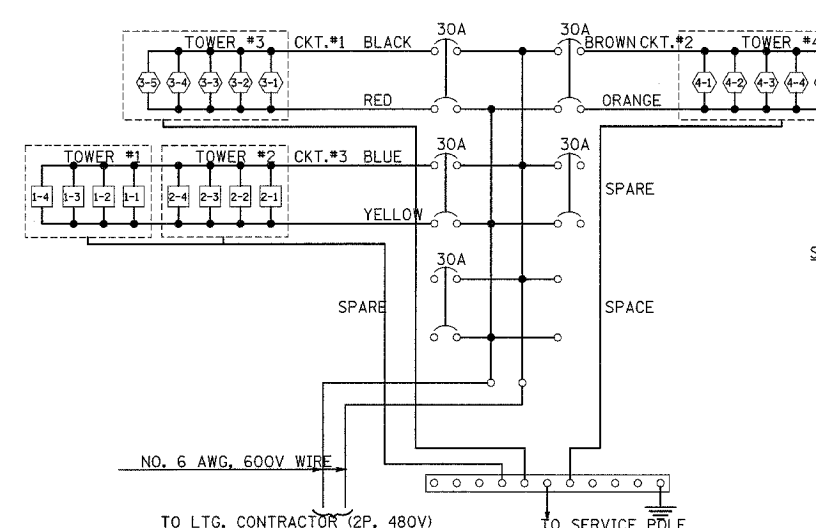
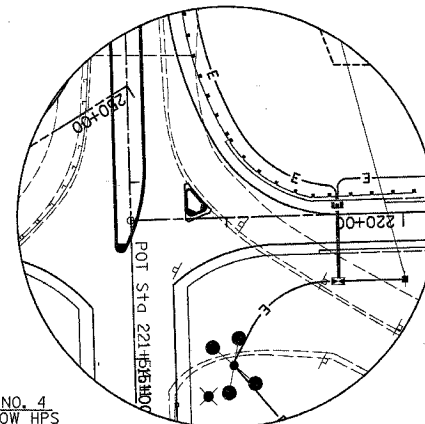
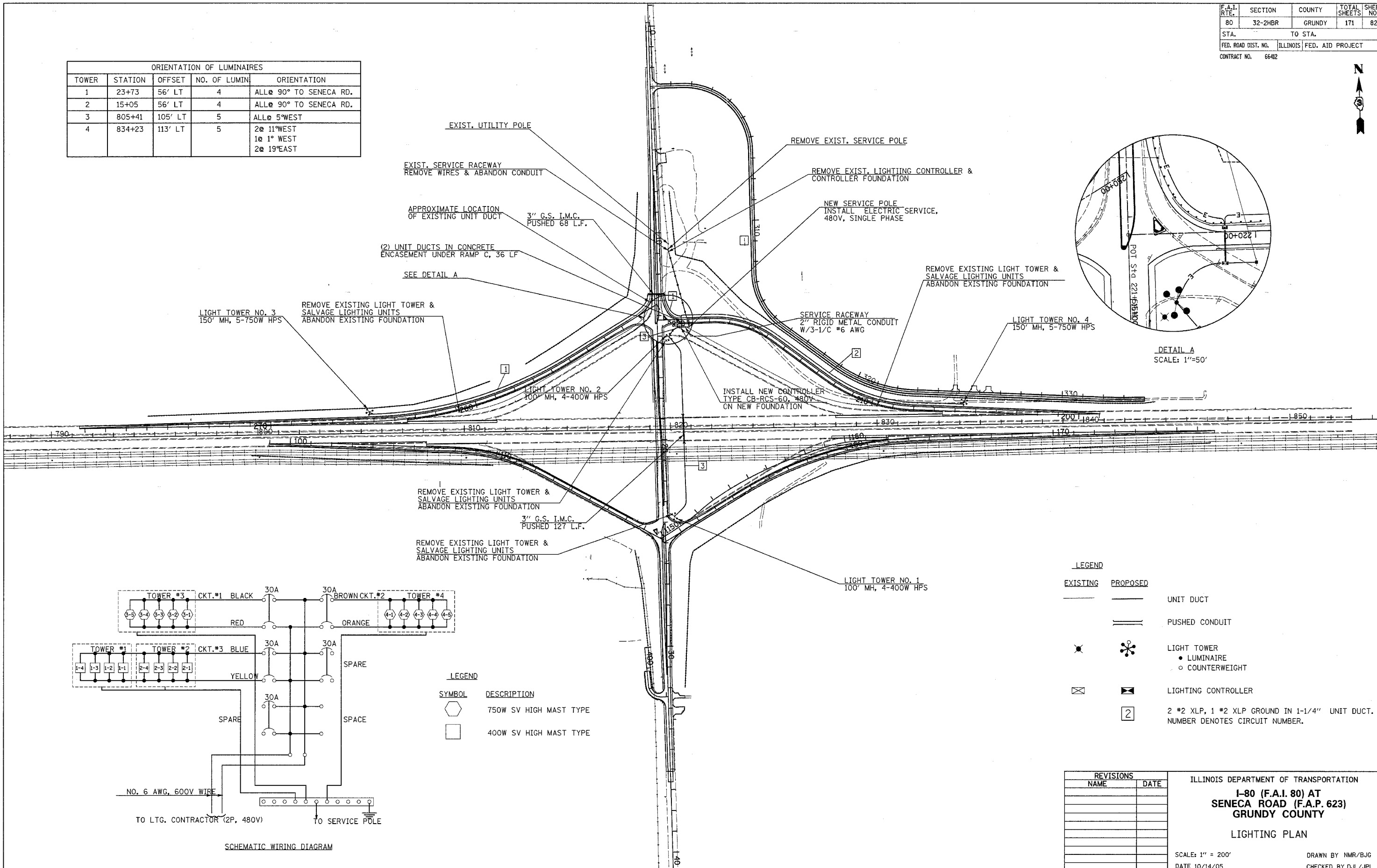


F.A.I. RTE.	SECTION	COUNTY	TOTAL SHEETS	SHEET NO.
80	32-2HBR	GRUNDY	171	82
STA.		TO STA.		
FED. ROAD DIST. NO.	ILLINOIS	FED. AID PROJECT		
CONTRACT NO.		66412		



ORIENTATION OF LUMINAIRES				
TOWER	STATION	OFFSET	NO. OF LUMIN	ORIENTATION
1	23+73	56' LT	4	ALL @ 90° TO SENECA RD.
2	15+05	56' LT	4	ALL @ 90° TO SENECA RD.
3	805+41	105' LT	5	ALL @ 5° WEST
4	834+23	113' LT	5	2 @ 11° WEST 1 @ 1° WEST 2 @ 19° EAST



LEGEND	
SYMBOL	DESCRIPTION
	750W SV HIGH MAST TYPE
	400W SV HIGH MAST TYPE

LEGEND		
EXISTING	PROPOSED	
		UNIT DUCT
		PUSHED CONDUIT
		LIGHT TOWER
		LUMINAIRE
		COUNTERWEIGHT
		LIGHTING CONTROLLER
		2 #2 XLP, 1 #2 XLP GROUND IN 1-1/4" UNIT DUCT. NUMBER DENOTES CIRCUIT NUMBER.

REVISIONS		ILLINOIS DEPARTMENT OF TRANSPORTATION I-80 (F.A.I. 80) AT SENECA ROAD (F.A.P. 623) GRUNDY COUNTY LIGHTING PLAN
NAME	DATE	
		SCALE: 1" = 200' DATE 10/14/05 DRAWN BY NMR/BJG CHECKED BY DJL/JPL