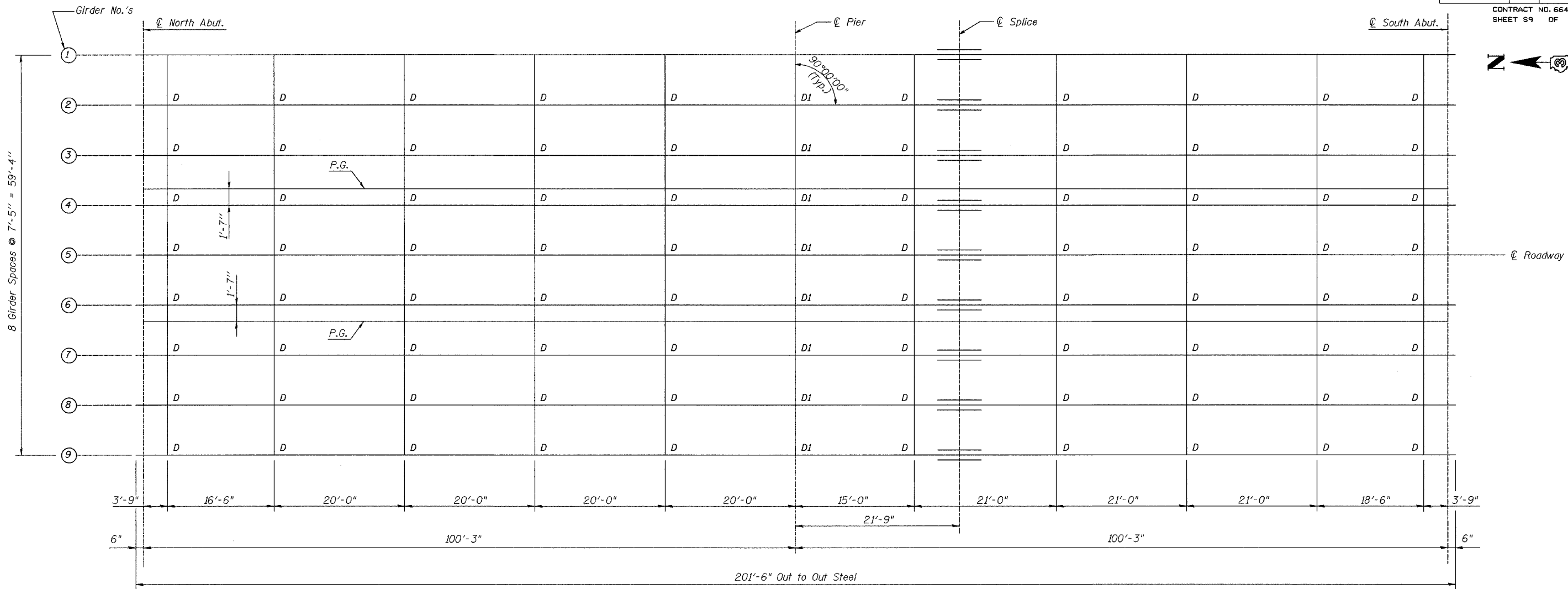
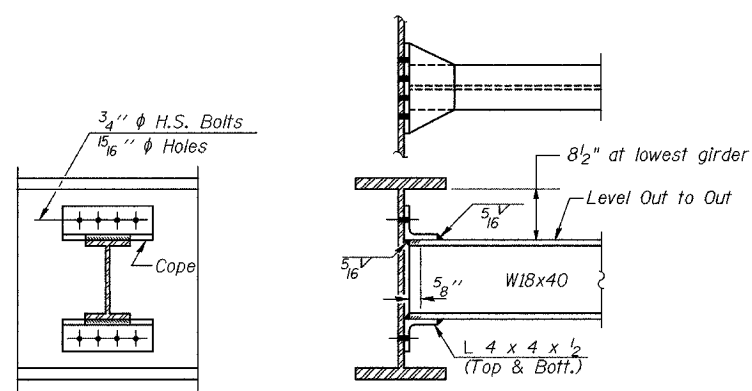


F.A.P.	SECTION	COUNTY	TOTAL SHEETS	SHEET NO.
623	32-2 HBR	GRUNDY	171	102
STA.	TO STA.			
FED. ROAD DIST. NO.	ILLINOIS	FED. AID PROJECT		

CONTRACT NO. 66412
SHEET S9 OF S20

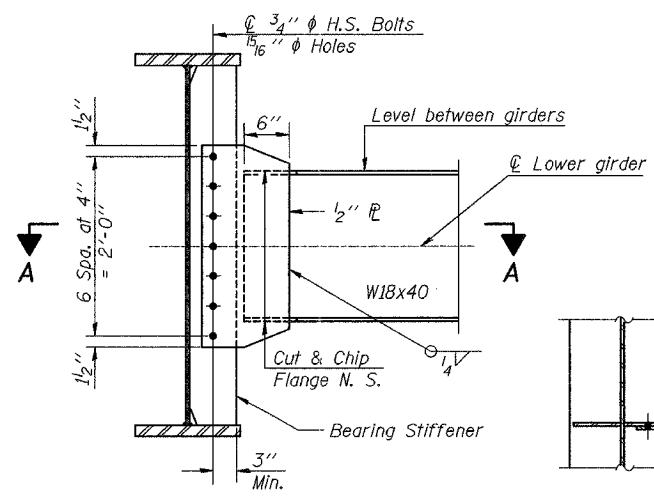


PLAN



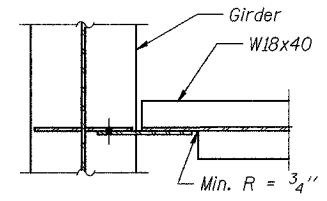
DIAPHRAGM D
80 Required

Note: Two hardened washers shall be required over all oversize holes for diaphragms.



DIAPHRAGM D1
8 Required

Note: Two hardened washers shall be required over all oversized holes.



SECTION A-A

REVISIONS	NAME	DATE

ILLINOIS DEPARTMENT OF TRANSPORTATION
SENECA ROAD
OVER F.A.I. 80
F.A.P. 623 SEC. 32-2 HBR GRUNDY CO.
STRUCTURE No. 032-0114
STATION 19+49.99
FRAMING PLAN

Louis Berger & Associates, Inc.
1001 Elm Street, Suite 300
Manchester, NH 03101

SCALE: NONE
DATE: OCTOBER, 2005
DRAWN BY: NJH
CHECKED BY: JLG