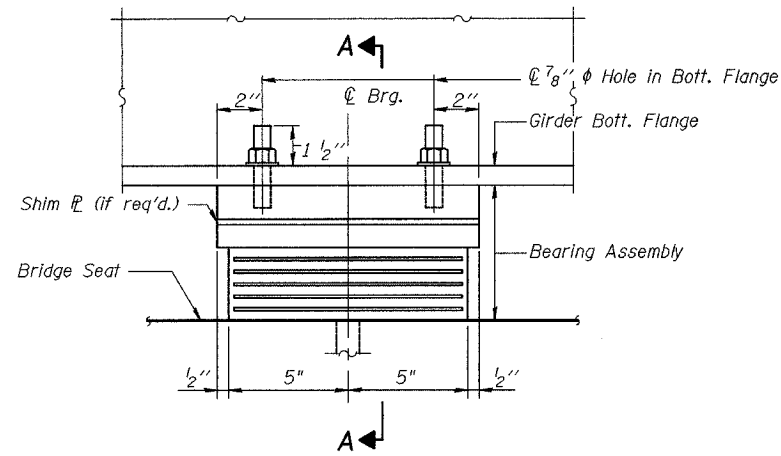
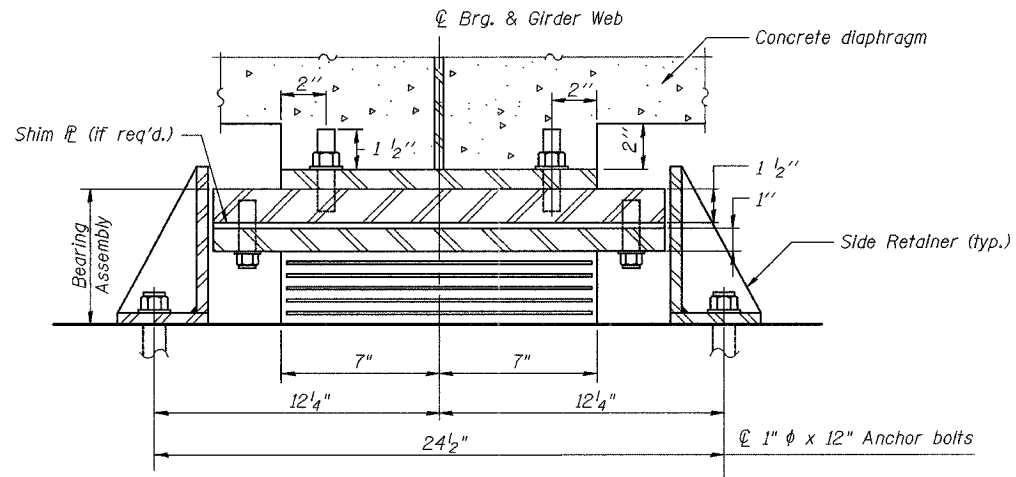


F.A.P.	SECTION	COUNTY	TOTAL SHEETS	SHEET NO.
623	32-2 HBR	GRUNDY	171	104
STA.		TO STA.		
FED. ROAD DIST. NO.	ILLINOIS	FED. AID PROJECT		
CONTRACT NO. 66412				
SHEET S11 OF S20				

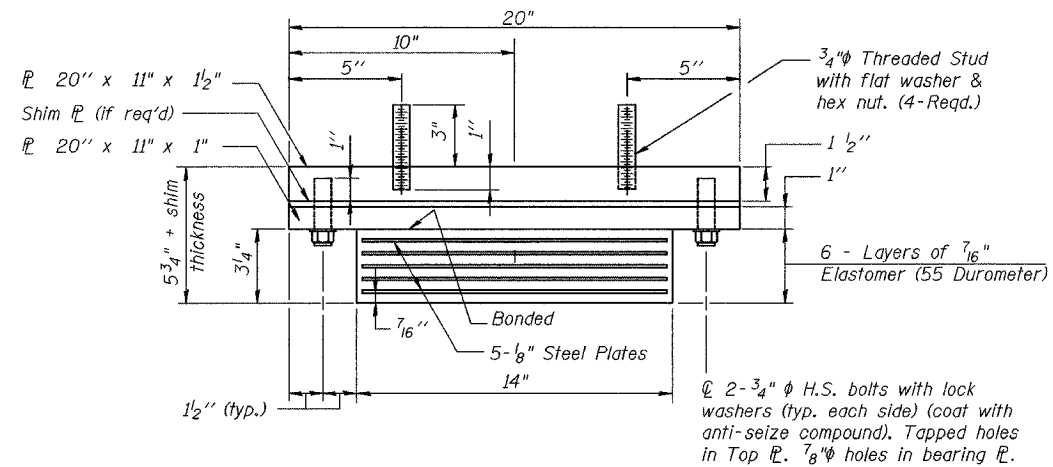


**ELEVATION AT ABUTMENT**



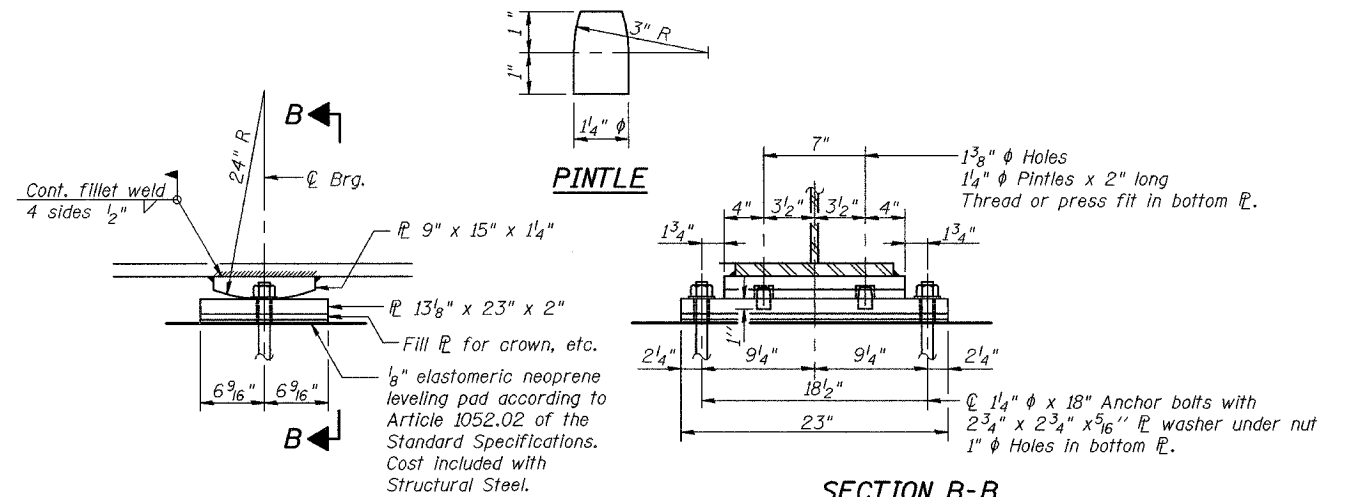
**SECTION A-A**

**TYPE I ELASTOMERIC EXPANSION BEARING**



**BEARING ASSEMBLY**

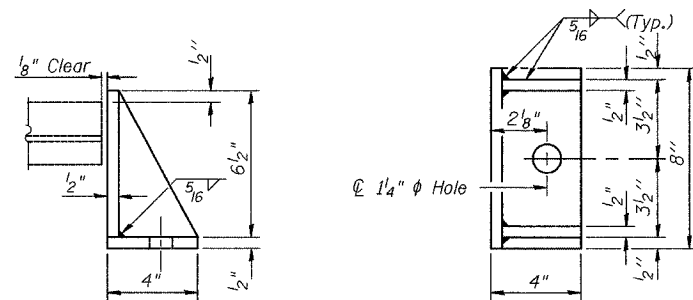
Note: Shim plates shall not be placed under Bearing Assembly.



**ELEVATION AT PIER**

**FIXED BEARING**

Notes: Anchor bolts at fixed bearings may be built into the masonry. See Sheet S12 for Anchor Bolt installation.



**SIDE RETAINER**

Equivalent rolled angle with stiffeners will be allowed in lieu of welded plates. Weight included with Structural Steel.

**BILL OF MATERIAL**

Item	Unit	Total
Elastomeric Bearing Assembly Type I	Each	18

REVISIONS	NAME	DATE

ILLINOIS DEPARTMENT OF TRANSPORTATION  
**SENECA ROAD**  
**OVER F.A.I. 80**  
**F.A.P. 623 SEC. 32-2 HBR GRUNDY CO.**  
**STRUCTURE No. 032-0114**  
**STATION 19+49.99**  
**BEARING DETAILS**

**Louis Berger & Associates, Inc.**  
 1001 Elm Street, Suite 300  
 Manchester, NH 03101

SCALE: NONE  
 DATE: OCTOBER, 2005  
 DRAWN BY: NJH  
 CHECKED BY: JLG