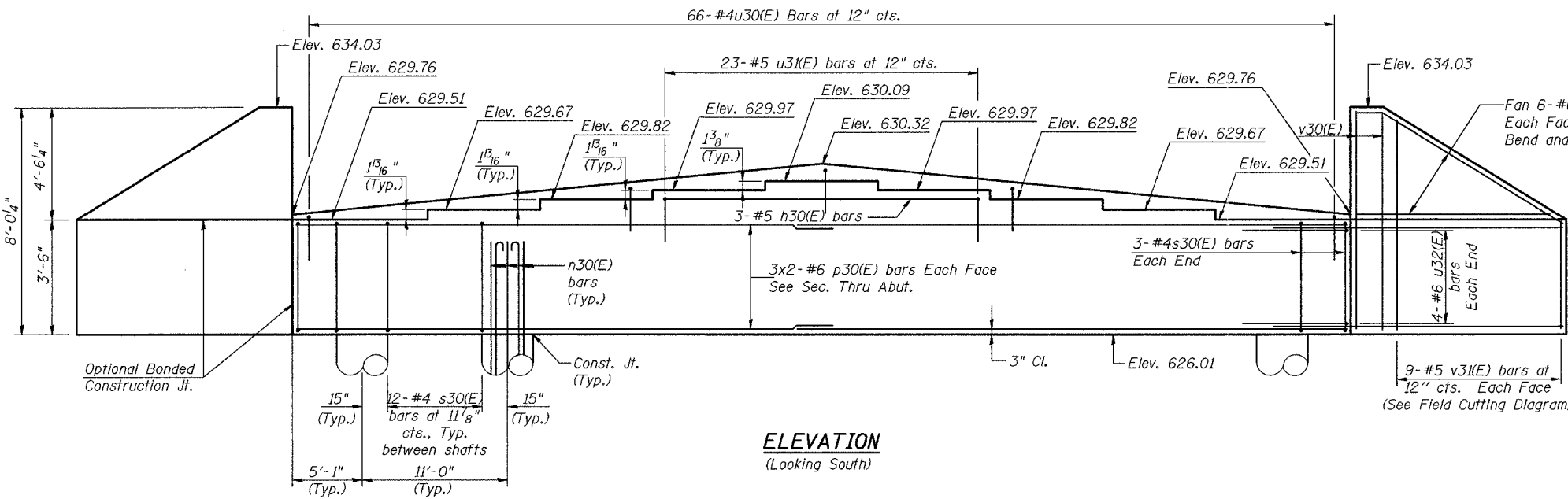


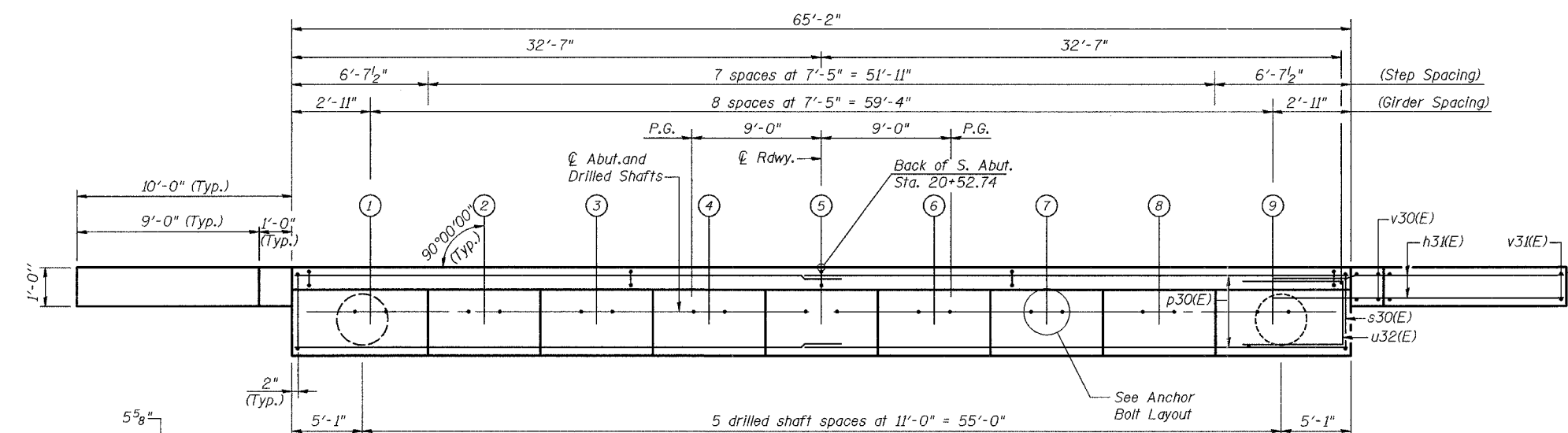
F.A.P.	SECTION	COUNTY	TOTAL SHEETS	SHEET NO.
623	32-2 HBR	GRUNDY	171	109
STA.	TO STA.			
FED. ROAD DIST. NO.	ILLINOIS	FED. AID PROJECT		

CONTRACT NO. 66412
SHEET S16 OF S20

Notes: Space reinforcement in cap to miss anchor bolts. Pour steps monolithically with cap. Bars indicated thus 2 x 2 # 5 etc., indicates 2 lines of bars, with two lengths per line. Reinforcement bars designated (E) shall be epoxy coated.

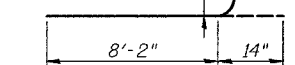


ELEVATION
(Looking South)

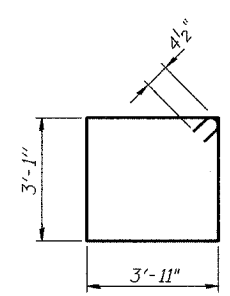


PLAN

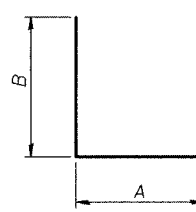
Note: Interior shafts not shown for clarity.



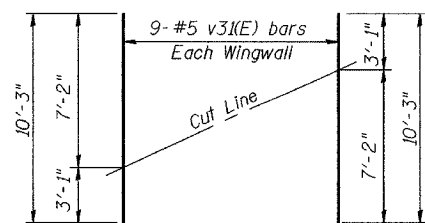
BAR n30(E)



BAR s30(E)

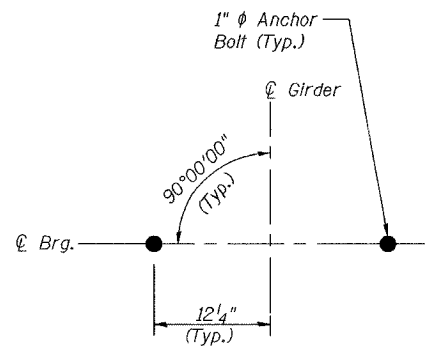


BARS u30(E), u31(E) & u32(E)



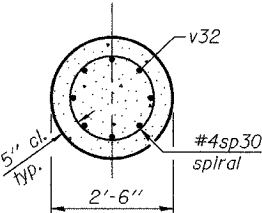
FIELD CUTTING DIAGRAM

Order v3(E) full length. Cut as shown and use remainder of bars in opposite face.

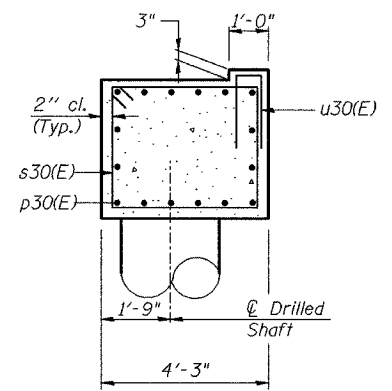


ANCHOR BOLT LAYOUT

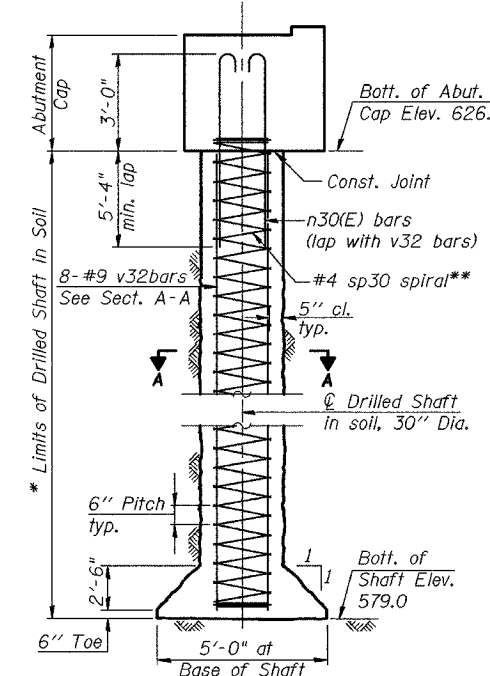
Fan 6-#6 h32(E) bars
Each Face Each Wingwall
Bend and cut in field as required



SECTION A-A



SEC. THRU ABUT.



DRILLED SHAFT ELEVATION
Showing Reinforcement

DRILLED SHAFT DATA

Dia.: 30"
Capacity: 105 Tons
Est. Length: 52' North Abutment
48' South Abutment
No. Required: 6

BILL OF MATERIAL

Bar	No.	Size	Length	Shape
h30(E)	4	#5	21'-9"	—
h31(E)	24	#6	12'-1"	—
h32(E)	24	#6	9'-7"	—
n30(E)	48	#9	9'-4"	—
p30(E)	32	#6	34'-0"	—
s30(E)	66	#4	14'-9"	□
sp30	6	#4	575'-0"	WW
u30(E)	66	#4	3'-2"	U
u31(E)	23	#5	7'-3"	U
u32(E)	8	#6	9'-11"	U
v30(E)	8	#5	7'-2"	—
v31(E)	18	#5	9'-9"	—
v32	48	#9	50'-6"	—
Structure Excavation		Cu. Yd.	84	
Concrete Structures		Cu. Yd.	44.2	
Reinforcing Bars		Pound	10,550	
Reinforcement Bars, Epoxy Coated		Pound	5,360	

A & B DIMENSIONS

Bar	A	B
u30(E)	0'-8"	1'-3"
u31(E)	2'-11"	2'-2"
u32(E)	3'-11"	3'-0"

Notes: * The quantities and detailing are based on the estimated elevations shown on the plans. The actual elevations may differ at each shaft and corresponding adjustments shall be made to the drilled shaft and reinforcement quantities and payment limits. ** Provide 1/2 extra turns top and bottom of each drilled shaft. Extend spiral 2' into abutment cap. Provide min. 4-#4 spacers or equivalent. Min. lap for spirals = 1'-8". For Anchor Bolt Details, See Sheet S12 of S20.

MIN. BAR LAP

#4 bar = 1'-8"
#5 bar = 2'-2"
#6 bar = 2'-9"

Louis Berger & Associates, Inc.
1001 Elm Street, Suite 300
Manchester, NH 03101

REVISIONS	NAME	DATE

ILLINOIS DEPARTMENT OF TRANSPORTATION
SENECA ROAD
OVER F.A.I. 80
F.A.P. 623 SEC. 32-2 HBR GRUNDY CO.
STRUCTURE No. 032-0114
STATION 19+49.99
SOUTH ABUTMENT
SCALE: NONE
DATE: OCTOBER, 2005
DRAWN BY: NJH
CHECKED BY: JLG