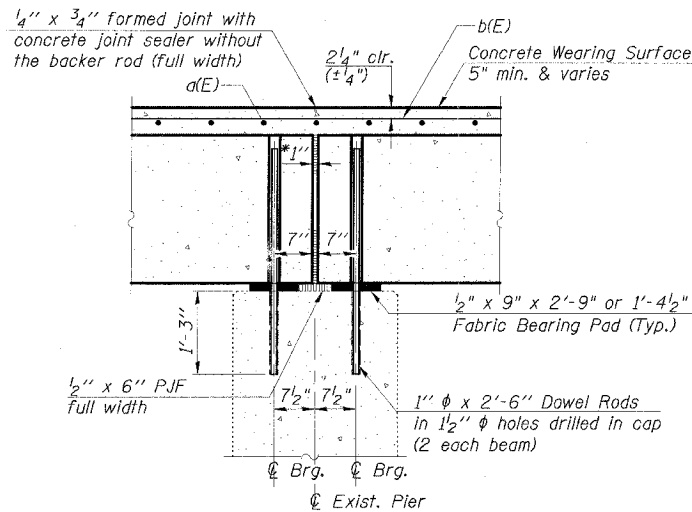


STATE OF ILLINOIS
DEPARTMENT OF TRANSPORTATION

ROUTE NO.	SECTION	COUNTY	TOTAL SHEETS	SHEET NO.
FAP 315		McLEAN	44	18
STA.	TO STA.			
FED. ROAD DIST. NO.	ALLIANCE	FED. AID PROJECT		
			102X-BR-2	
			DWG. NO.	6 OF 17
CONTRACT NO. 66584				

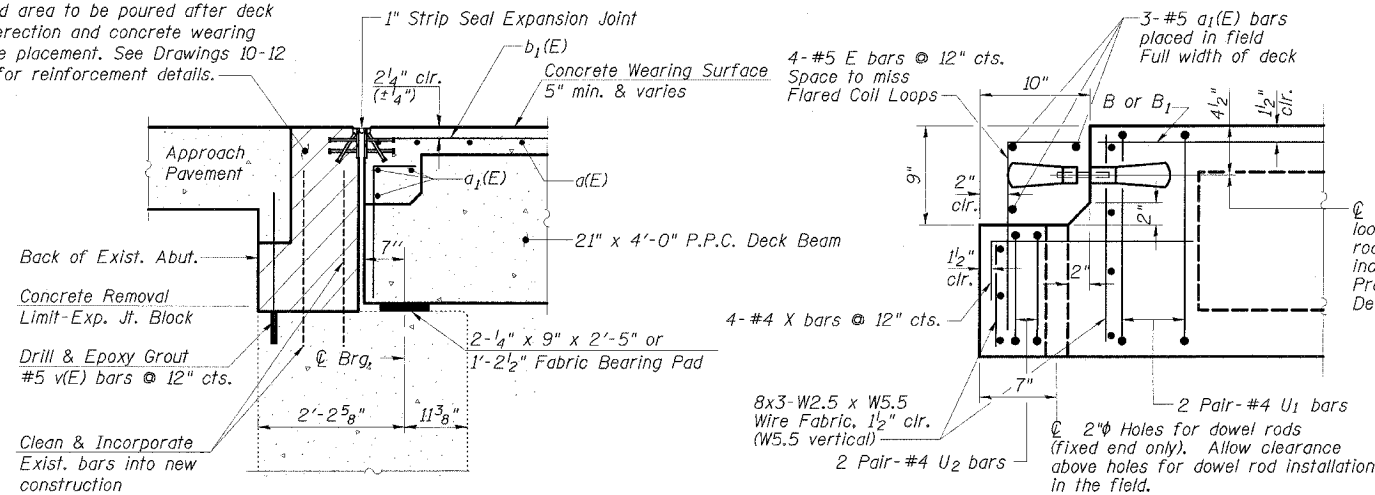


SECTION THRU PIER 2

(Horizontal dimensions are at right angles to beam ends)

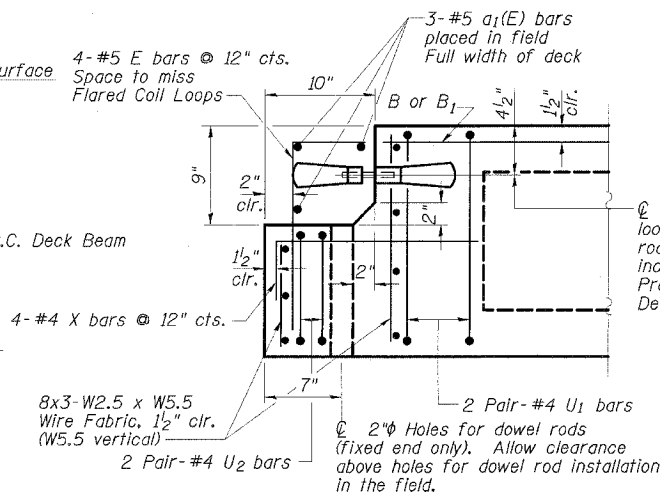
* 1" jt. shall be filled with non-shrink grout. 1" dimension may vary to accommodate tolerance in beam lengths.

Hatched area to be poured after deck beam erection and concrete wearing surface placement. See Drawings 10-12 of 17 for reinforcement details.



SECTION THRU ABUTMENT

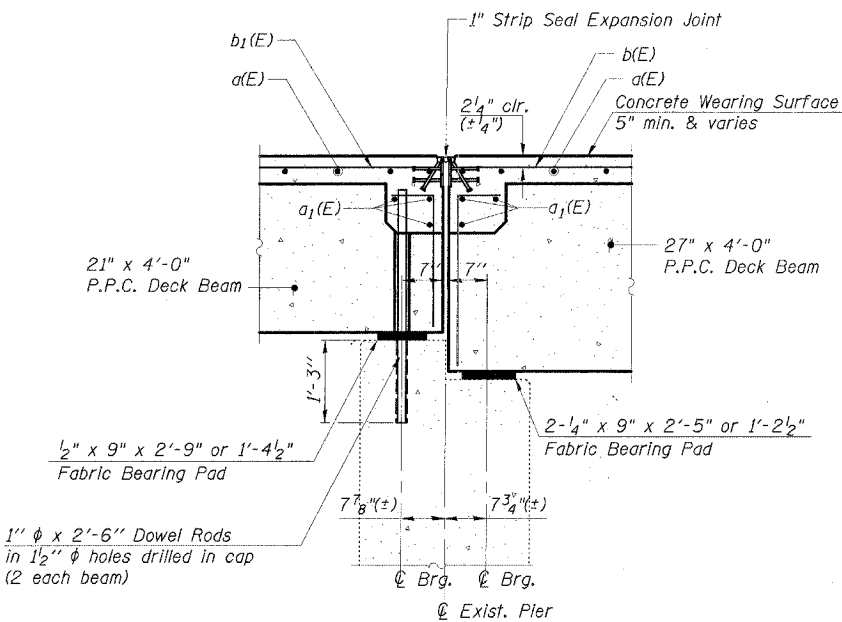
(Dimensions at right angles)



END OF 21" BEAM

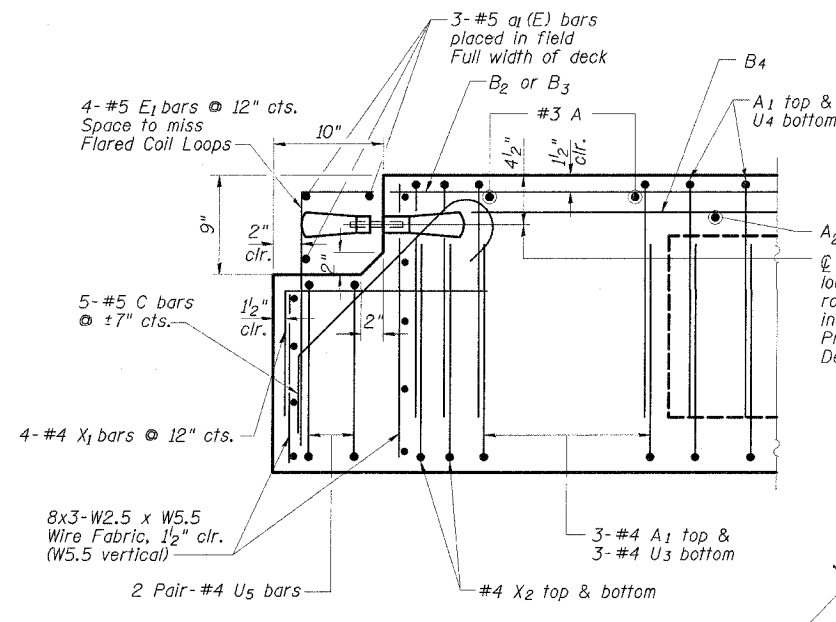
(Dimensions at right angles)

The rail anchorage shall be cast with the beam and the wearing surface shall be cast in the field. Formwork necessary for the wearing surface may be secured utilizing the bottom rail anchorage inserts and/or additional inserts cast into beam. Drilling into the beam will not be permitted.



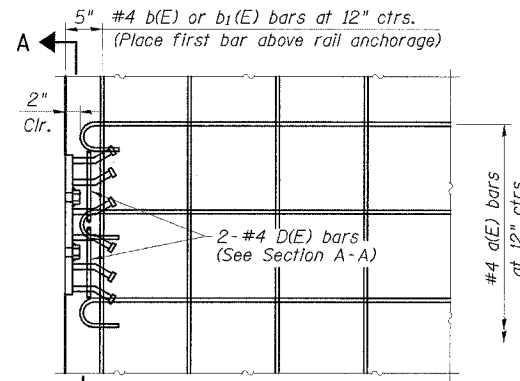
SECTION THRU PIERS 1 & 3

(Horizontal dimensions are at right angles to beam ends)

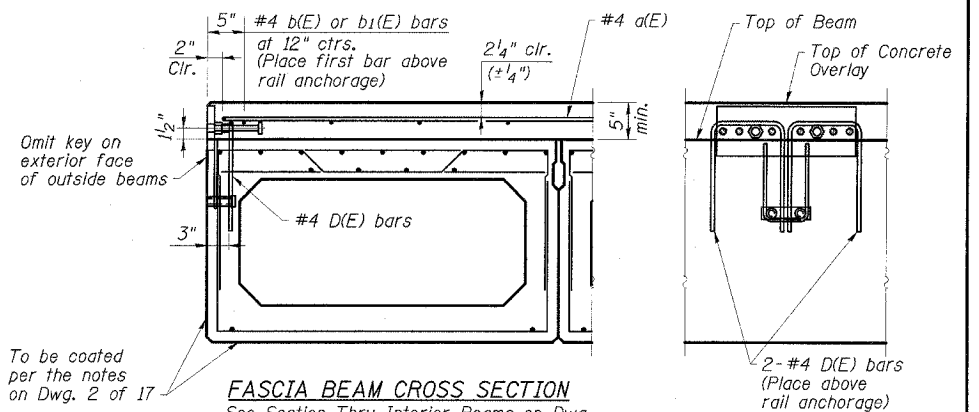


EXPANSION END OF 27" BEAM

(Dimensions at right angles)



PLAN VIEW

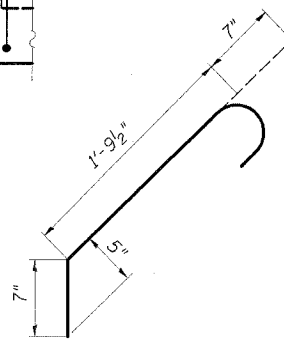


FASCIA BEAM CROSS SECTION

See Section Thru Interior Beams on Dwg. 4 & 5 of 17 for strand pattern, dimensions and bar call outs.

SECTION A-A

CONCRETE OVERLAY MODIFICATIONS FOR RAIL ANCHORAGE
(27" Deck Beam shown; 21" Deck Beam similar)



BAR C

NOTES

After beams have been erected, holes shall be drilled into substructure and dowels rods placed. Dowel holes shall be filled with non-shrink grout to top of beam and allowed to cure min. 24 hrs. prior to grouting the shear keys.

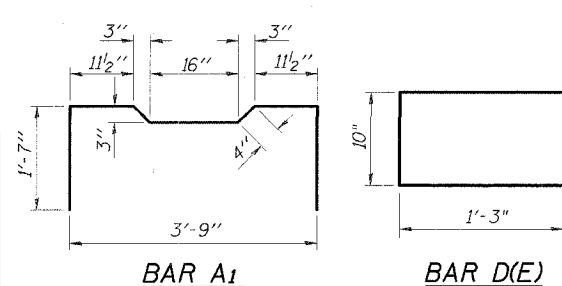
Concrete wearing surface to be poured after grouting the shear keys.

Dowel rods drilled in cap are included in the cost of Precast Prestressed Concrete Deck Beams.

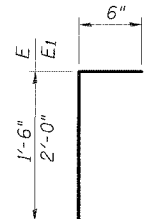
SUPERSTRUCTURE DETAILS
US 136 OVER BRANCH OF SALT CREEK
FAP ROUTE 315 - SECTION 102X-BR-2
McLEAN COUNTY
STATION 616+99.00
STRUCTURE NO. 057-0185

ESCA
CONSULTANTS, INC.

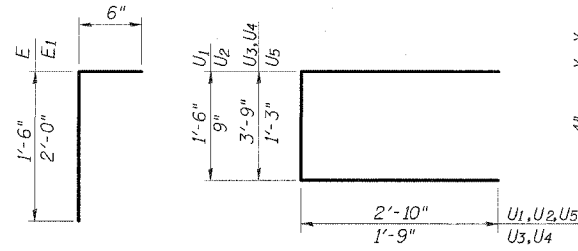
DESIGNED BY: ELH 6/05
DRAWN BY: CJG 6/05
CHECKED BY: ELH 10/05
APPROVED BY: RDP 10/05



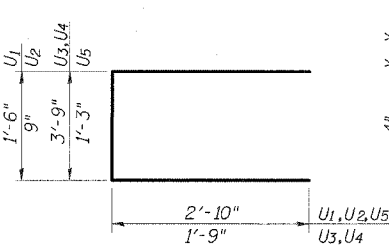
BAR A1



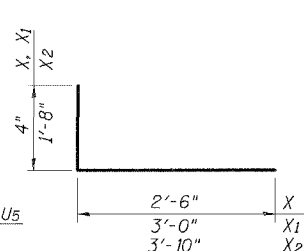
BAR D(E)



BARS E & E1



BARS U1, U2, U3, U4, & U5



BARS X, X1, & X2