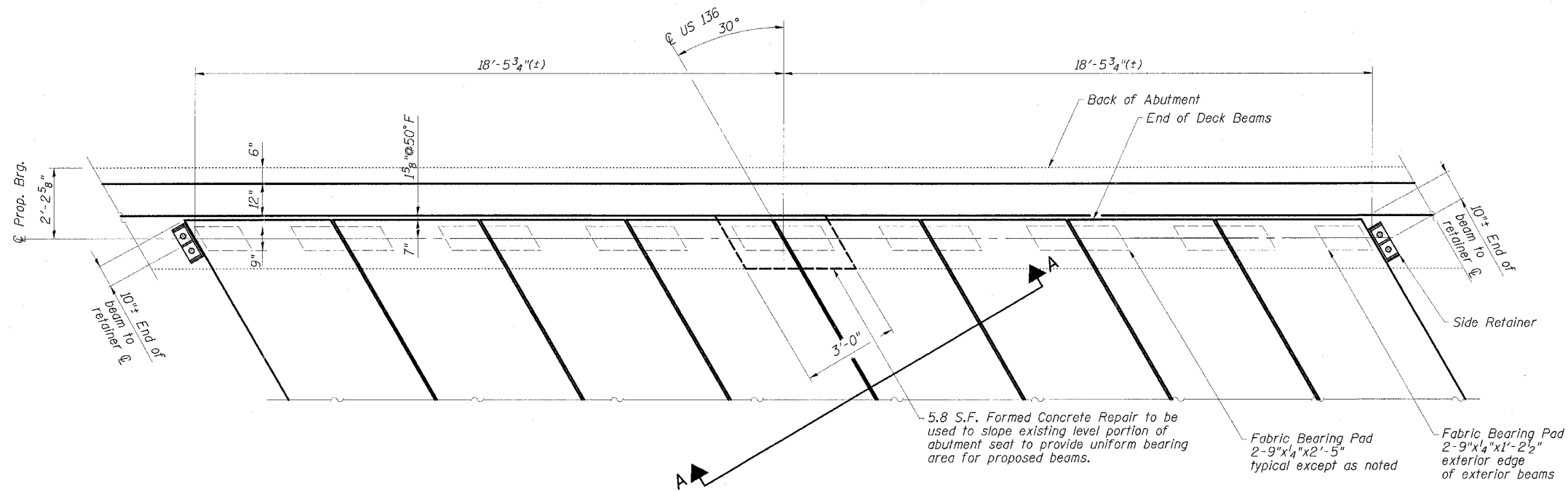
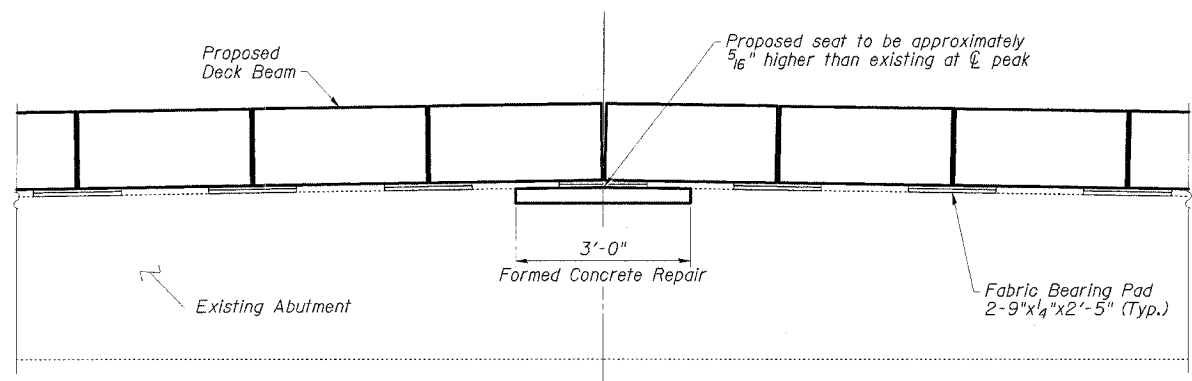


STATE OF ILLINOIS
DEPARTMENT OF TRANSPORTATION

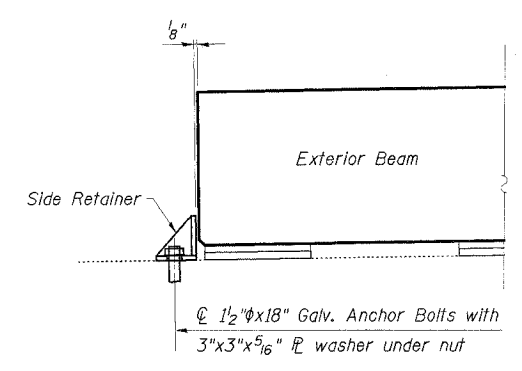
ROUTE NO.	SECTION	COUNTY	TOTAL SHEETS	SHEET NO.
FAP 315	•	McLEAN	44	24
STA.	TO STA.			
FED. ROAD DIST. NO.	ILLINOIS		FED. AID PROJECT-	
*102X-BR-2	DWG. NO. 12		OF 17	
CONTRACT NO. 66584				



ABUTMENT BEARING SEAT PLAN
(Concrete wearing surface, expansion joint, backwall widening, and approach pavement not shown)

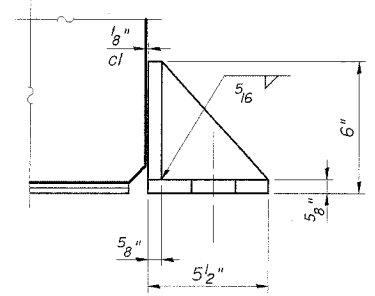
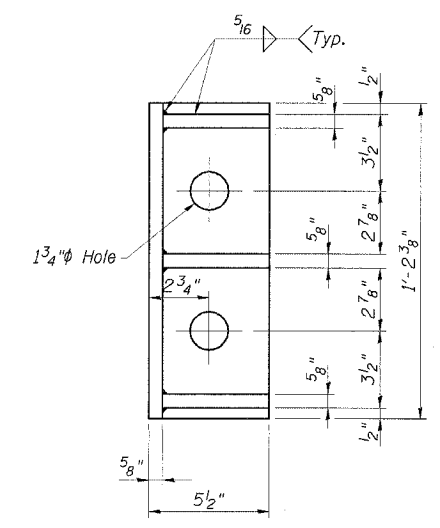


SECTION A-A
(Concrete wearing surface not shown)



EXTERIOR BEAM RETAINER DETAILS
(8 Required)

Cost of Retainer Angles, Anchor Bolts & accessories are included with Precast Prestressed Concrete Deck Beams.
Fill 1/8" gap with shim R to provide temporary lateral support until shear keys have been grouted and concrete wearing surface has been placed.



SIDE RETAINER

Equivalent rolled angle with stiffeners will be allowed in lieu of welded plates.

ABUTMENT DETAILS
US 136 OVER BRANCH OF SALT CREEK
FAP ROUTE 315 - SECTION 102X-BR-2
McLEAN COUNTY
STATION 616+99.00
STRUCTURE NO. 057-0185

ESCA
CONSULTANTS, INC.

DESIGNED BY:	ELH	6/05
DRAWN BY:	DWH	6/05
CHECKED BY:	ELH	10/05
APPROVED BY:	RDP	10/05