

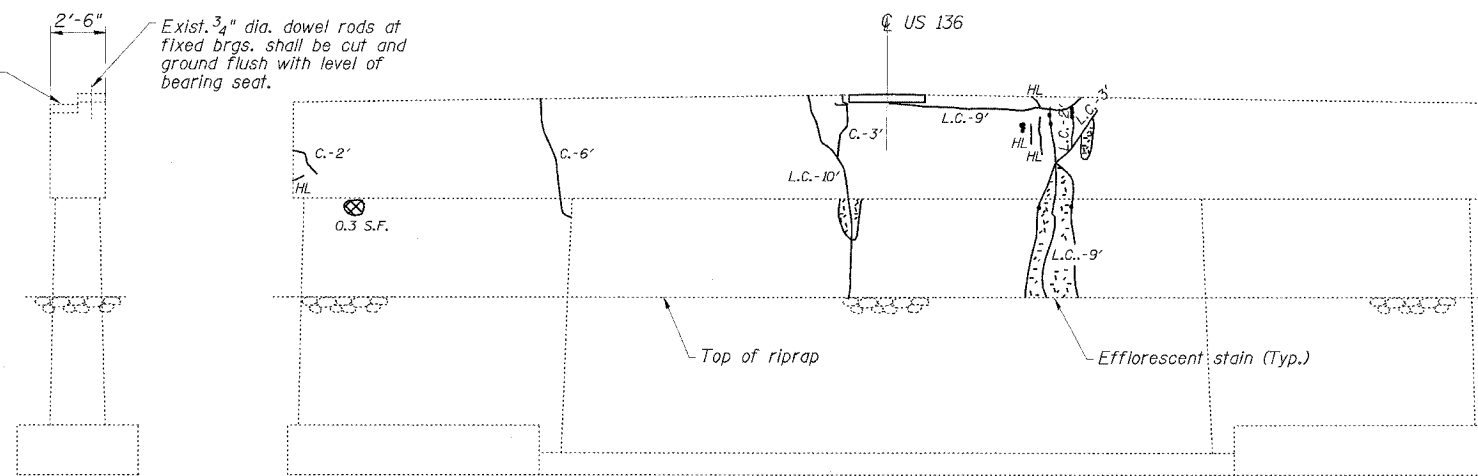
STATE OF ILLINOIS  
DEPARTMENT OF TRANSPORTATION

ROUTE NO.	SECTION	COUNTY	TOTAL SHEETS	SHEET NO.
FAP 315	#	McLEAN	44	25
STA.	TO STA.			
FED. ROAD DIST. NO.	ILLINOIS	FED. AID PROJECT		
*102X-BR-2	DWG. NO. 13 OF 17			

CONTRACT NO. 66584

Exist. expansion bearing pads contain ASBESTOS. See Special Provisions for removal requirements.

Exist. 3/4" dia. dowel rods at fixed brgs. shall be cut and ground flush with level of bearing seat.



NORTH END

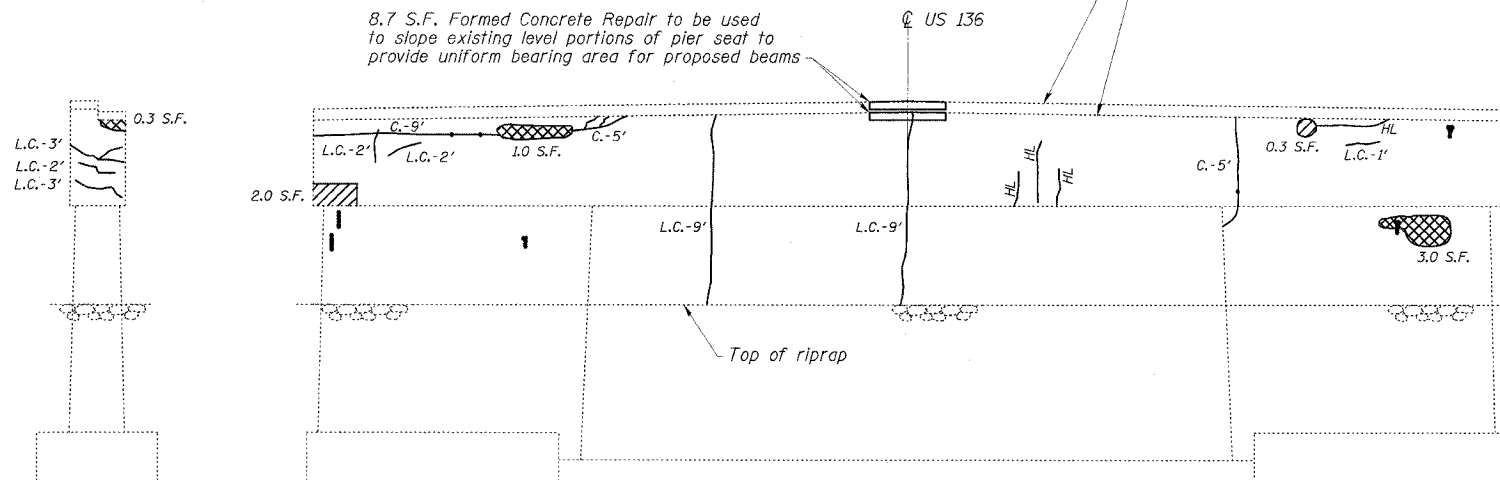
WEST ELEVATION

PIER 1  
BILL OF MATERIAL

ITEM	UNIT	TOTAL
Asbestos Bearing Pad Removal	Each	30
Bridge Seat Sealer	Sq. Ft.	24
Epoxy Crack Sealing	Foot	114
Formed Concrete Repair (Depth Equal to or Less Than 5")	Sq. Ft.	30.6

EXISTING BEARING SEATS TO BE INSPECTED BY THE ENGINEER AFTER DECK BEAM REMOVAL. DETERIORATED CONCRETE AREAS SHALL BE REPAIRED (ESTIMATED 15 S.F. ADDITIONAL FORMED CONCRETE REPAIR DEPTH ≤ 5") AND CRACKS SHALL BE SEALED (ESTIMATED 20' ADDITIONAL EPOXY CRACK SEALING) IF FOUND. BRIDGE SEAT SEALER SHALL BE APPLIED TO FORMED CONCRETE REPAIR AREAS

8.7 S.F. Formed Concrete Repair to be used to slope existing level portions of pier seat to provide uniform bearing area for proposed beams



SOUTH END

EAST ELEVATION

REPAIR LEGEND

Inspection Date: 11-15-01

- † Rust Stained Area
- (W/L) Moisture Stained or Leached Area
- HL Hairline Crack - Not to be Sealed
- C.-6" Crack (> 1/16" Width) — EPOXY CRACK SEALING
- L.C.-6" Leached Crack (> 1/16" Width) — EPOXY CRACK SEALING
- S.F. (Diagonal Lines) Delaminated Area — FORMED CONC. REPAIR
- S.F. (Cross-hatch) Spalled Area (Depth ≤ 5") — FORMED CONC. REPAIR

**ESCA**  
CONSULTANTS, INC.

DESIGNED BY:	ELH	6/05
DRAWN BY:	DWH	6/05
CHECKED BY:	ELH	9/05
APPROVED BY:	RDP	9/05

NOTE: PIER CRACK REPAIR LENGTHS AND FORMED CONCRETE REPAIR AREAS ARE ESTIMATED FROM 11-15-01 SURVEY WORK. ACTUAL LOCATIONS AND QUANTITIES OF REPAIRS SHALL BE SHOWN BY THE ENGINEER ON THE AS-BUILT PLANS FOR THIS SECTION.

PIER 1  
US 136 OVER BRANCH OF SALT CREEK  
FAP ROUTE 315 - SECTION 102X-BR-2  
McLEAN COUNTY  
STATION 616+99.00  
STRUCTURE NO. 057-0185