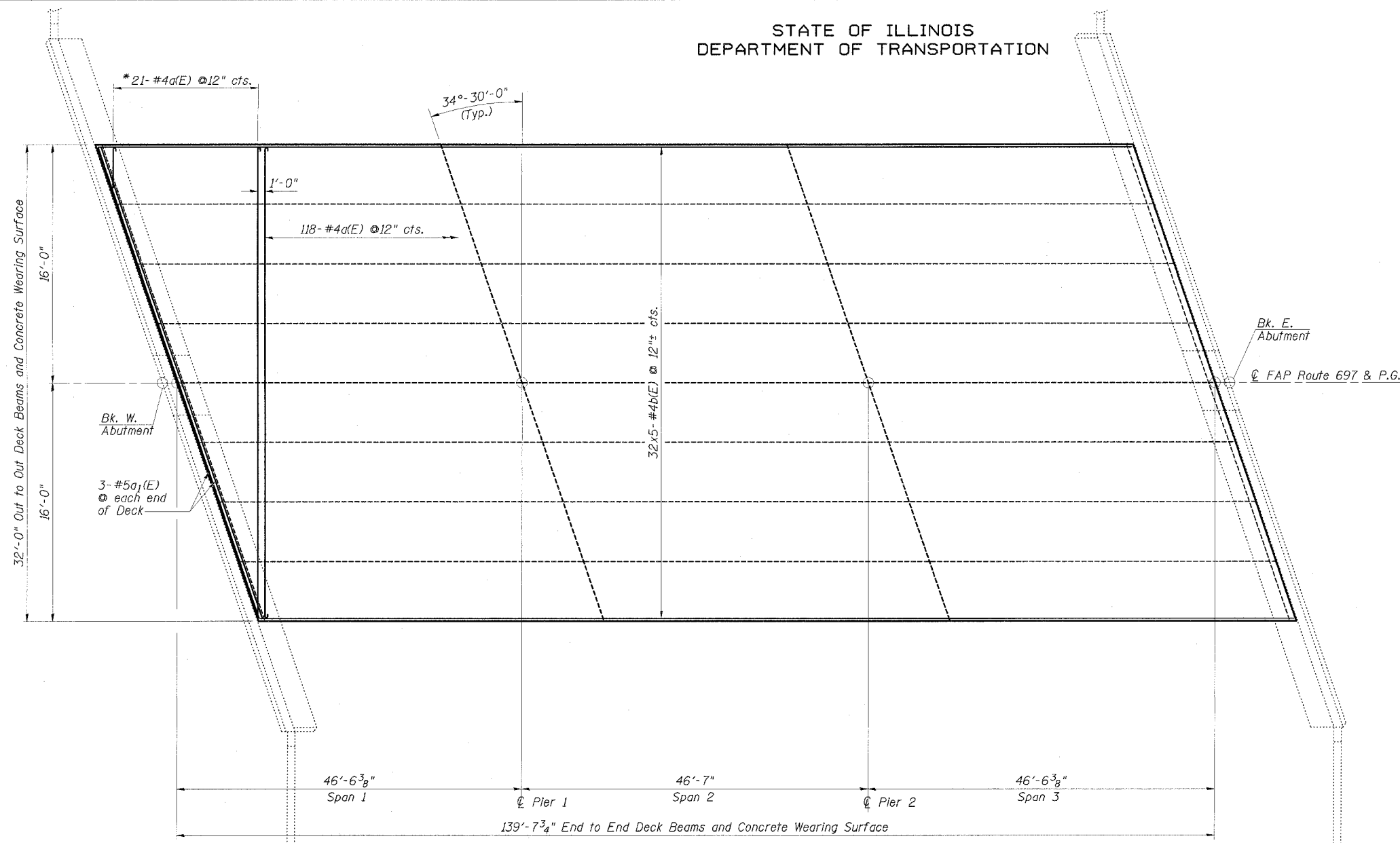


STATE OF ILLINOIS
DEPARTMENT OF TRANSPORTATION

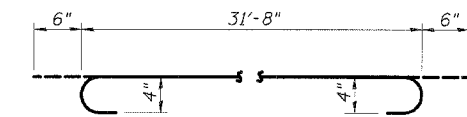
ROUTE NO.	SECTION	COUNTY	TOTAL SHEETS	SHEET NO.
FAP 697	17BR	FORD	40	16
STA.	TO STA.			
FED. ROAD DIST. NO.	ELLIPSES	FED. AID PROJECT-		

CONTRACT NO. 66604



CONCRETE WEARING SURFACE
BILL OF MATERIAL

Bar	No.	Size	Length	Shape	
a(E)	139	#4	32'-8"		
a1(E)	6	#5	38'-5"		
b(E)	160	#4	29'-2"		
Reinforcement Bars, Epoxy Coated				Pound	6400
Concrete Wearing Surface, 5"				Sq. Yd.	497
Bridge Deck Grooving				Sq. Yd.	466
Protective Coat				Sq. Yd.	497



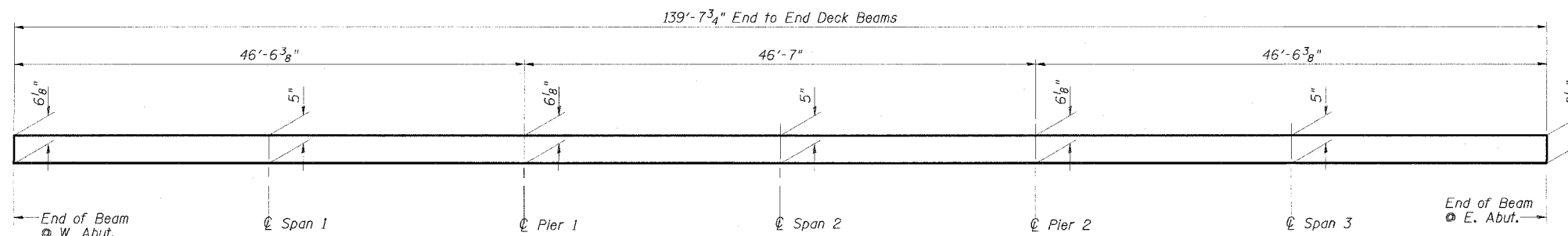
BAR a(E)

*Order a(E) bars full length. Cut to fit skew and use remainder of bars in opposite end

MIN. BAR LAP
#4 bar = 1'-8"

Note:
Reinforcement bars designated (E) shall be epoxy coated. Bars indicated thus 32x5-#4 etc. indicates 32 lines of bars with 5 lengths per line. For remainder of superstructure details, see drawings 4 and 5 of 15.

PLAN



REINFORCED CONCRETE WEARING SURFACE PROFILE
(At centerline of roadway)

Note:
Greater thickness is required at edges of superstructure to conform to cross section slopes shown on Dwg. 4 of 15.

SUPERSTRUCTURE
IL 9 OVER BIG FOUR DITCH
FAP ROUTE 697-SECTION 17BR
FORD COUNTY
STATION 923+87.00
STRUCTURE NO. 027-0068

ESCA
CONSULTANTS, INC.

DESIGNED BY:	ELH	5/05
DRAWN BY:	CJG	5/05
CHECKED BY:	ELH	10/05
APPROVED BY:	RDP	10/05