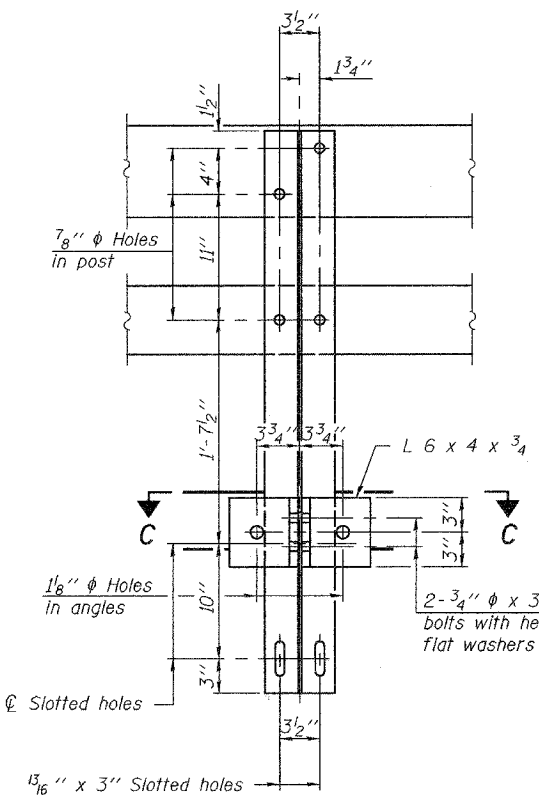
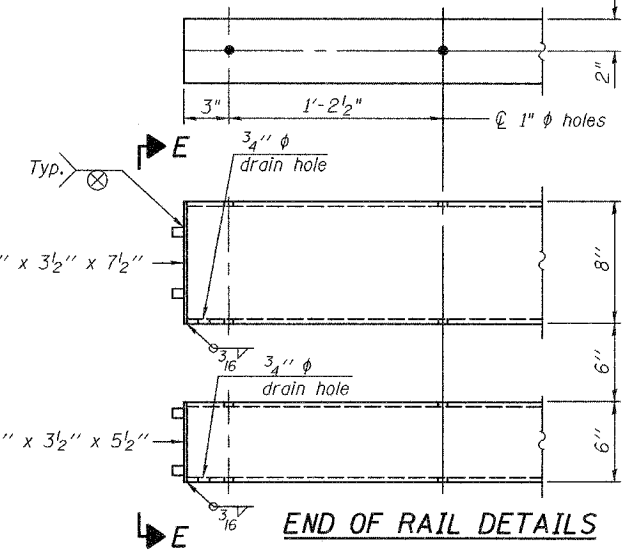
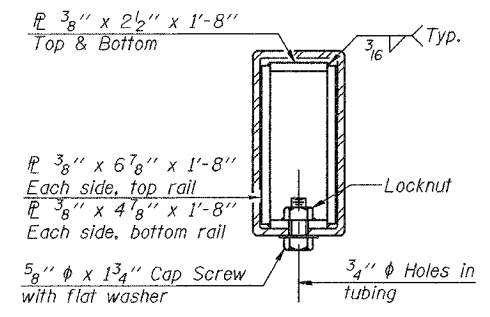
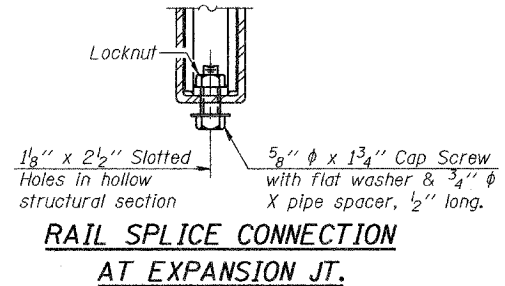
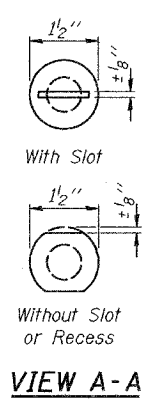
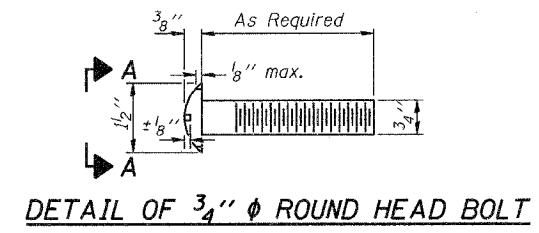


ROUTE NO.	SECTION	COUNTY	TOTAL SHEETS	SHEET NO.
FAP 697	17BR	FORD	40	19
STA.	TO STA.		PROJECT	
			CONTRACT NO. 66604	
FED. ROAD DIST. NO.	ILLINOIS	FED. AID PROJECT	DWG. NO. 6 OF 15	

STATE OF ILLINOIS  
DEPARTMENT OF TRANSPORTATION



4-3/4"  $\phi$  x 6" Round Head Bolts (With slot or approved recess in head) with locknut & flat washer. 7/8"  $\phi$  holes in hollow structural section may be drilled in the field.

VIEW A-A

RAIL SPLICE CONNECTION AT EXPANSION JT.

SECTION AT RAIL SPLICE

NOTES

Hollow structural sections shall conform to the requirements of ASTM designation A 500 Grade B Structural Steel Tubing and shall meet the longitudinal CVN requirements of 15 ft-lbs at 0° F.

All other steel shapes and plates shall conform to the requirements of AASHTO M 270 Grade 36 except posts and angles shall conform to AASHTO M 270, Grade 50.

Bolts, cap screws, and nuts shall conform to the requirements of ASTM designation A 307 except for high strength bolts, nuts and washers noted which shall conform to AASHTO M 164.

All bolts, nuts, cap screws, washers and lock washers shall be galvanized according to AASHTO M 232.

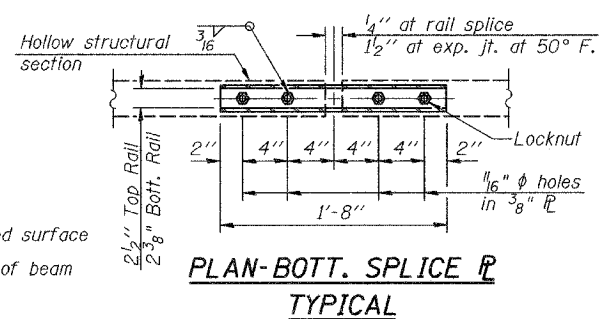
All posts, railing, rail splices, anchor devices and angles shall be galvanized after shop fabrication according to AASHTO M 111 and ASTM A 385. Galvanized rail shall not be painted.

Railing shall be according to Section 509 of the Standard Specifications, except as noted, and will be paid for at the contract unit price per foot for Steel Bridge Rail, Type SM.

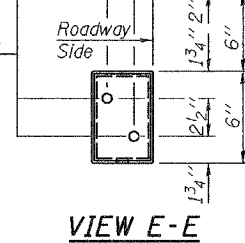
All field drilled holes shall be coated with an approved zinc rich paint before erection.

For multi-span bridges, sufficient 1/4" x 6" x 1'-2" galvanized steel shims shall be provided to align rail between adjacent spans. Cost included with Steel Bridge Rail, Type SM.

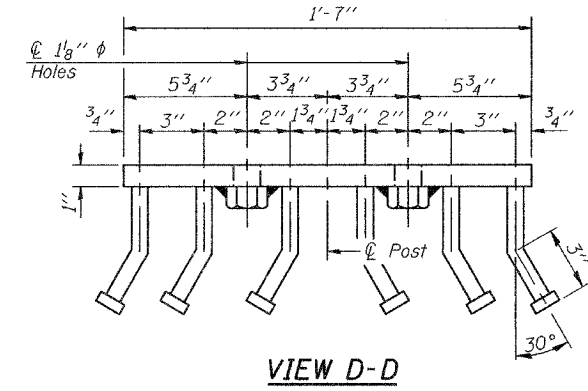
The 3/4"  $\phi$  high strength bolts used to connect the 6 x 4 x 3/4 angles to the post shall be tightened according to Article 505.04(f)(2) of the Standard Specifications. The 1"  $\phi$  high strength bolts connecting the angles to the concrete shall be tightened to a snug fit and given an additional 1/8 turn. The 5/8"  $\phi$  cap screws in bottom of posts shall be tightened to a snug fit only.



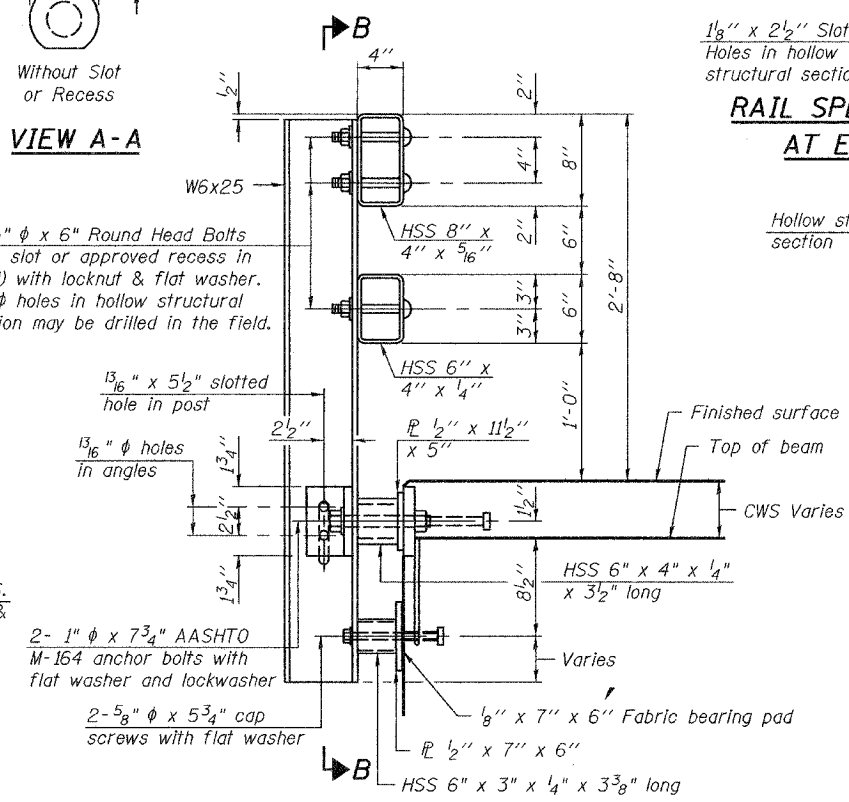
PLAN-BOTT. SPLICE R TYPICAL



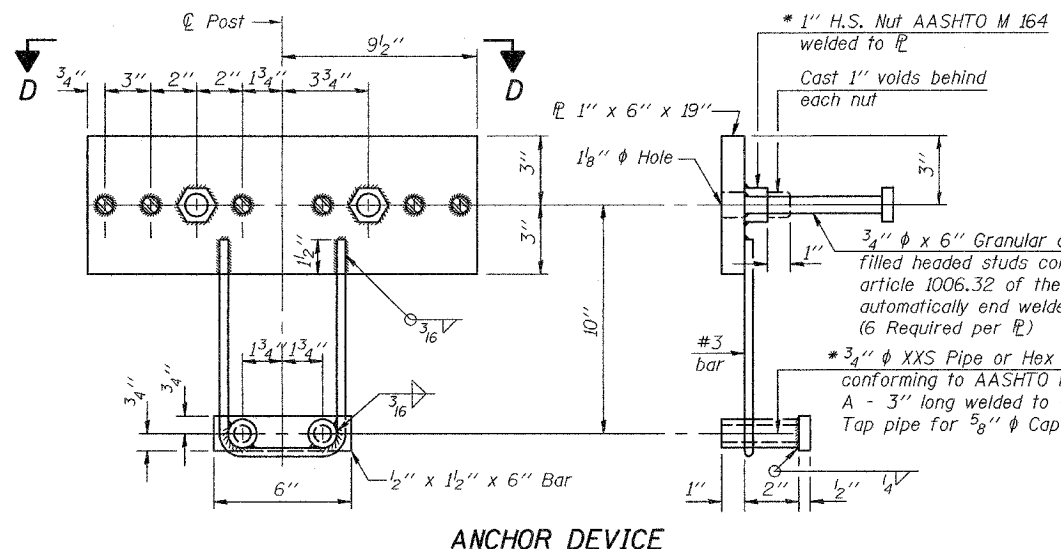
VIEW E-E



VIEW D-D

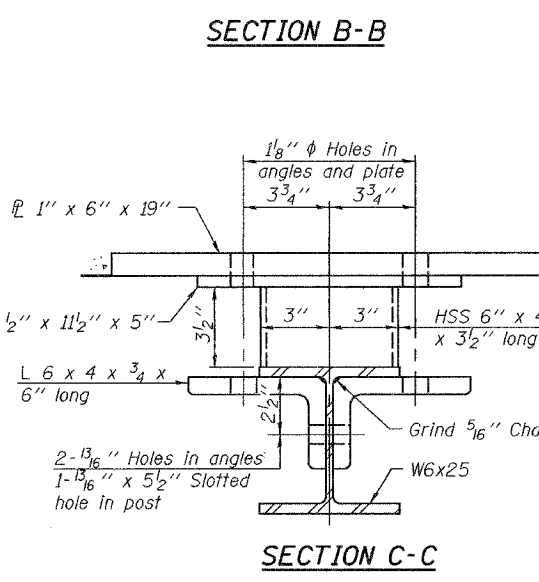


SECTION AT RAIL POST

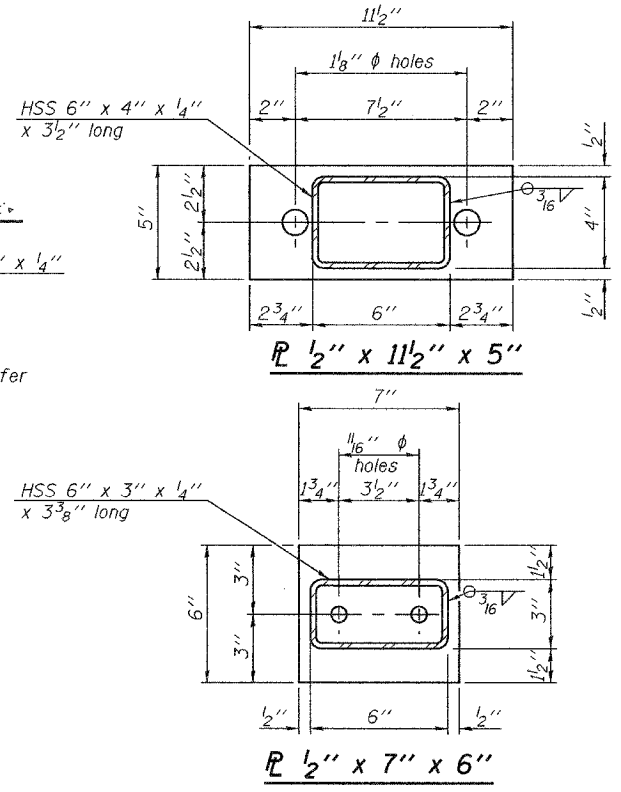


ANCHOR DEVICE

\* Threaded areas shall be plugged or blocked off during casting of beam. Galvanized after fabrication.



SECTION C-C



SECTION AT RAIL POST

BILL OF MATERIAL

Item	Unit	Quantity
Steel Bridge Rail, Type SM	Foot	280

**TYPE SM**  
**STEEL BRIDGE RAIL**  
**IL 9 OVER BIG FOUR DITCH**  
**FAP ROUTE 697-SECTION 17BR**  
**FORD COUNTY**  
**STATION 923+87.00**  
**STRUCTURE NO. 027-0068**

**ESCA**  
CONSULTANTS, INC.

DESIGNED BY:	ELH	5/05
DRAWN BY:	CJG	5/05
CHECKED BY:	ELH	10/05
APPROVED BY:	RDP	10/05

(6'-3" Maximum Post Spacing) (5" minimum to 7/8" maximum CWS thickness)