

STATE OF ILLINOIS
DEPARTMENT OF TRANSPORTATION

ROUTE NO. FAP 697	SECTION 17BR	COUNTY FORD	TOTAL SHEETS 40	SHEET NO. 23
ILLINOIS PROJECT NO.			FED. AID PROJECT NO.	
DWG. NO. 10 OF 15				

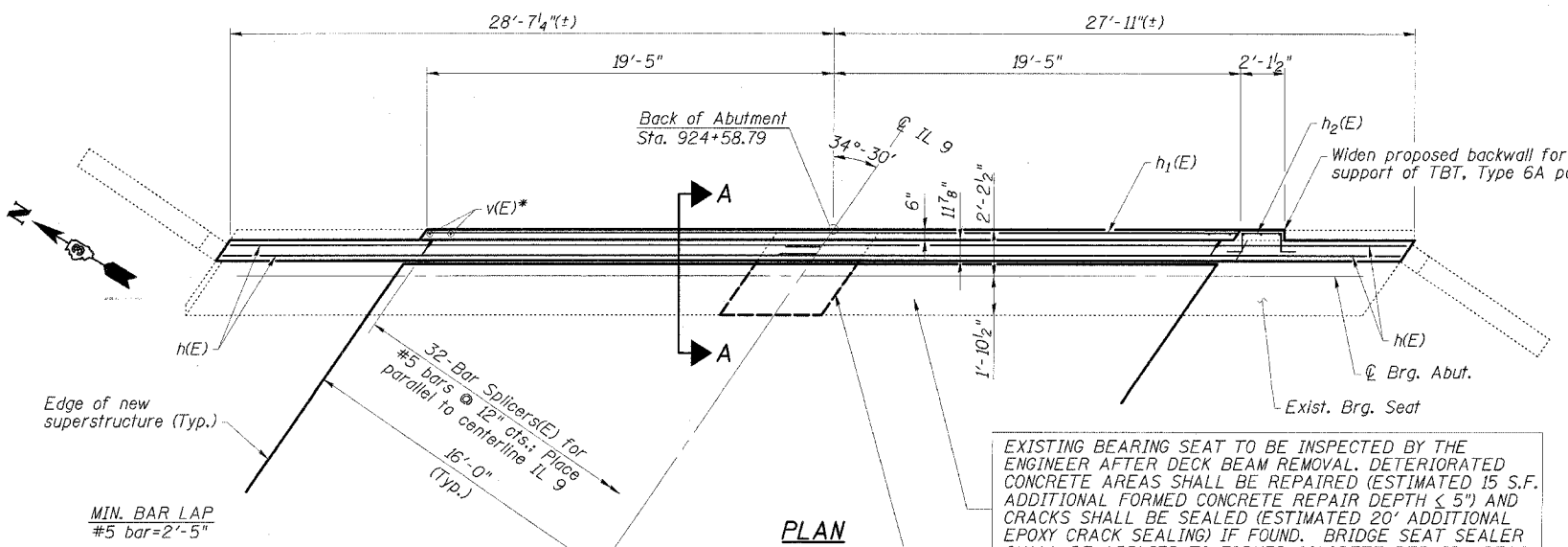
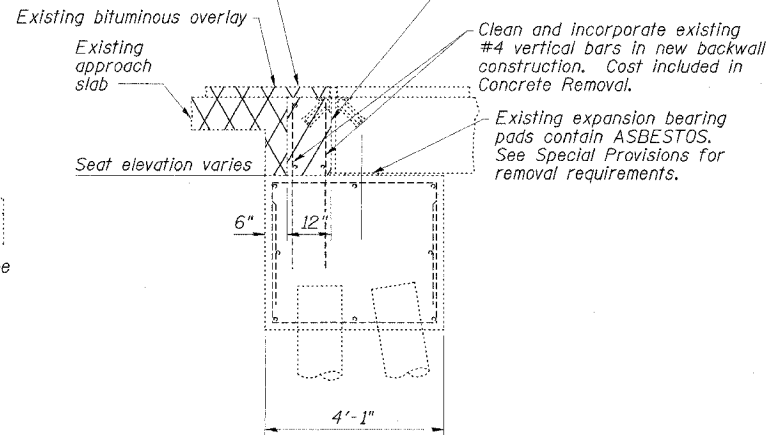
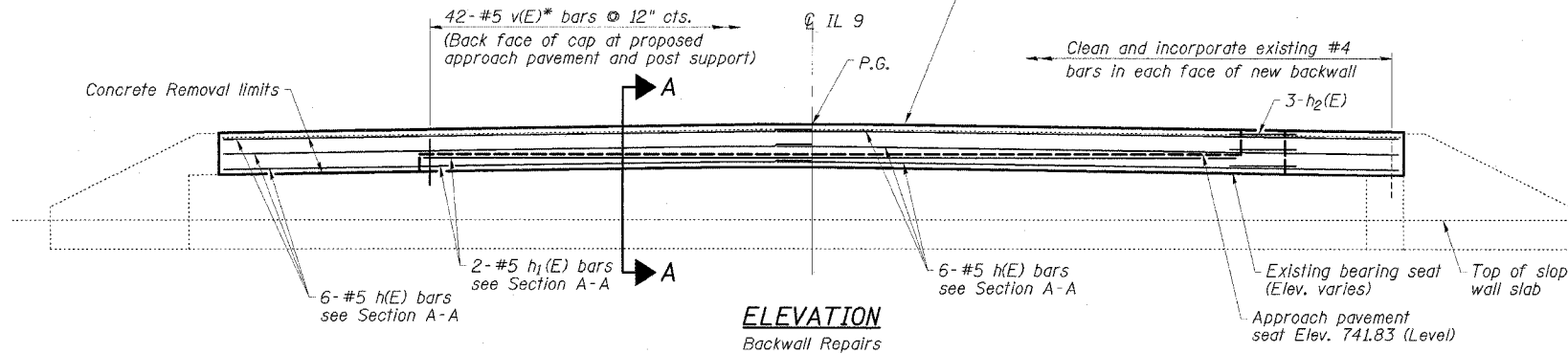
CONTRACT NO. 66604

* Epoxy grout bars in 8" min. depth drilled holes according to section 584 of the Standard Specifications.

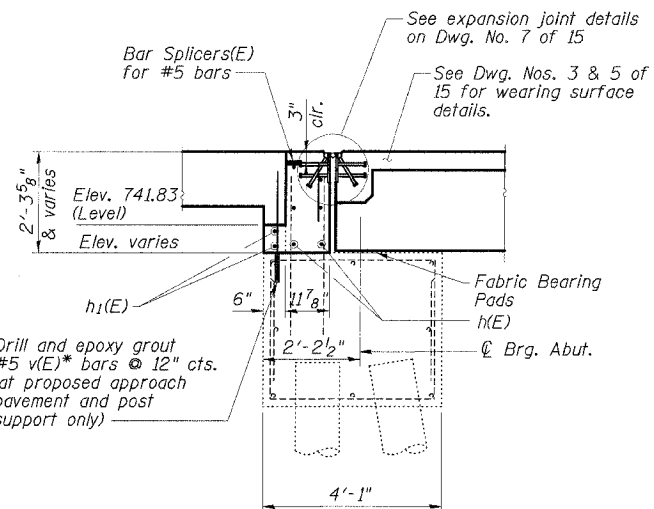
New abutment backwall to be poured after beam erection and Concrete Wearing Surface placement on bridge. Construct to match crown of new wearing surface

Cross-hatched area denotes Pavement Removal. See Roadway Plans.

Hatched area indicates Concrete Removal for abutment backwall



EXISTING BEARING SEAT TO BE INSPECTED BY THE ENGINEER AFTER DECK BEAM REMOVAL. DETERIORATED CONCRETE AREAS SHALL BE REPAIRED (ESTIMATED 15 S.F. ADDITIONAL FORMED CONCRETE REPAIR DEPTH ≤ 5") AND CRACKS SHALL BE SEALED (ESTIMATED 20' ADDITIONAL EPOXY CRACK SEALING) IF FOUND. BRIDGE SEAT SEALER SHALL BE APPLIED TO FORMED CONCRETE REPAIR AREAS.

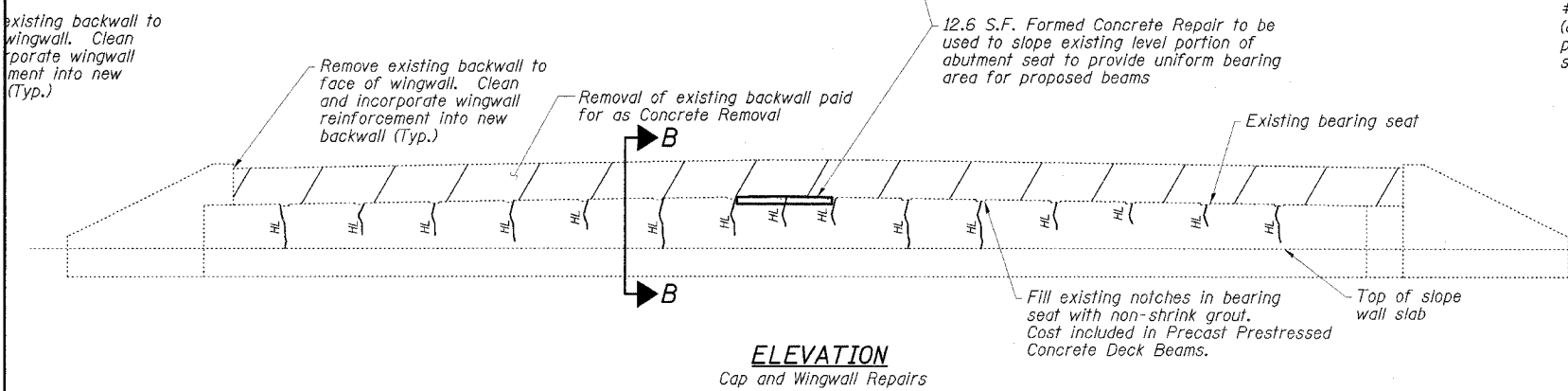


EAST ABUTMENT BILL OF MATERIAL

Bar	No.	Size	Length	Shape
h (E)	12	#5	29'-3"	—
h ₁ (E)	2	#5	38'-6"	—
h ₂ (E)	3	#5	4'-10"	┘
v (E)	42	#5	2'-6"	—
Concrete Removal			Cu. Yd.	3.8
Concrete Structures			Cu. Yd.	5.6
Reinforcement Bars, Epoxy Coated			Pound	580
Structure Excavation			Cu. Yd.	71
Asbestos Bearing Pad Removal			Each	30
Bridge Seat Sealer			Sq. Ft.	28
Epoxy Crack Sealing			Foot	20
Formed Concrete Repair (Depth Equal to or Less Than 5")			Sq. Ft.	27.6
Bar Splicers			Each	32

REPAIR LEGEND

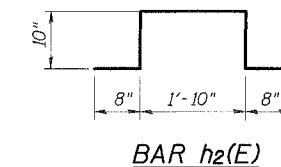
- Inspection Date: 5-24-05
- Rust Stained Area
 - Moisture Stained or Leached Area
 - Hairline Crack - Not to be Sealed
 - c.-6' Crack (> 1/8" Width)
 - l.c.-6' Leached Crack (> 1/8" Width)
 - Delaminated Area
 - Spalled Area (Depth ≤ 5")
- EPOXY CRACK SEALING**
- FORMED CONC. REPAIR**



ESCA
CONSULTANTS, INC.

DESIGNED BY:	ELH	6/05
DRAWN BY:	DWH	6/05
CHECKED BY:	ELH	10/05
APPROVED BY:	RDP	10/05

NOTE: ABUTMENT CRACK REPAIR LENGTHS AND FORMED CONCRETE REPAIR AREAS ARE ESTIMATED FROM 5-24-05 SURVEY WORK. ACTUAL LOCATIONS AND QUANTITIES OF REPAIRS SHALL BE SHOWN BY THE ENGINEER ON THE AS-BUILT PLANS FOR THIS SECTION.



EAST ABUTMENT
IL 9 OVER BIG FOUR DITCH
FAP ROUTE 697 - SECTION 17BR
FORD COUNTY
STATION 923+87.00
STRUCTURE NO. 027-0068