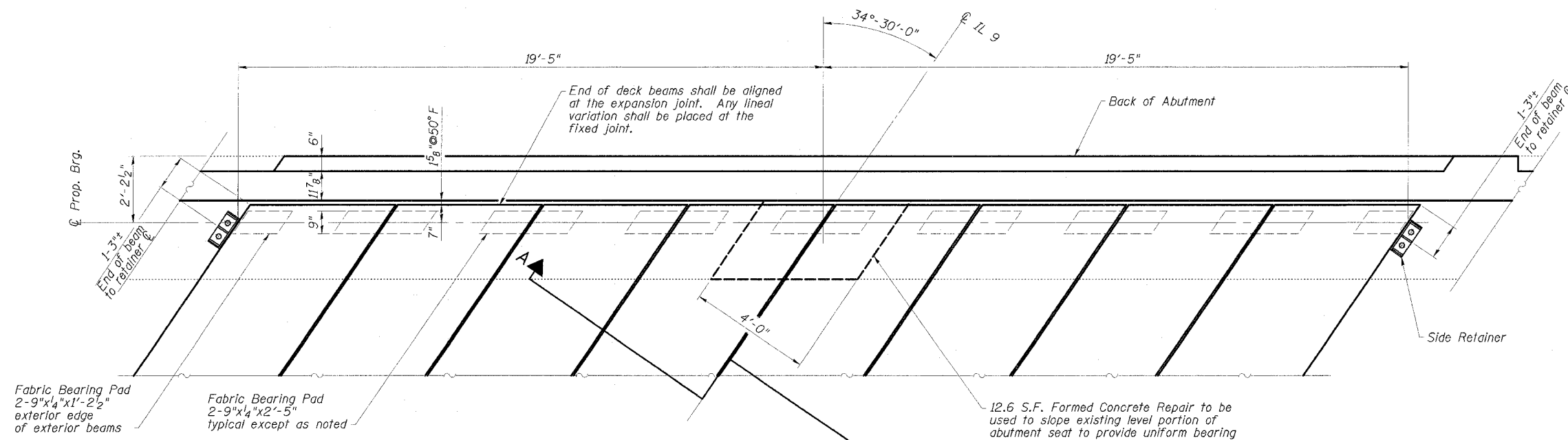


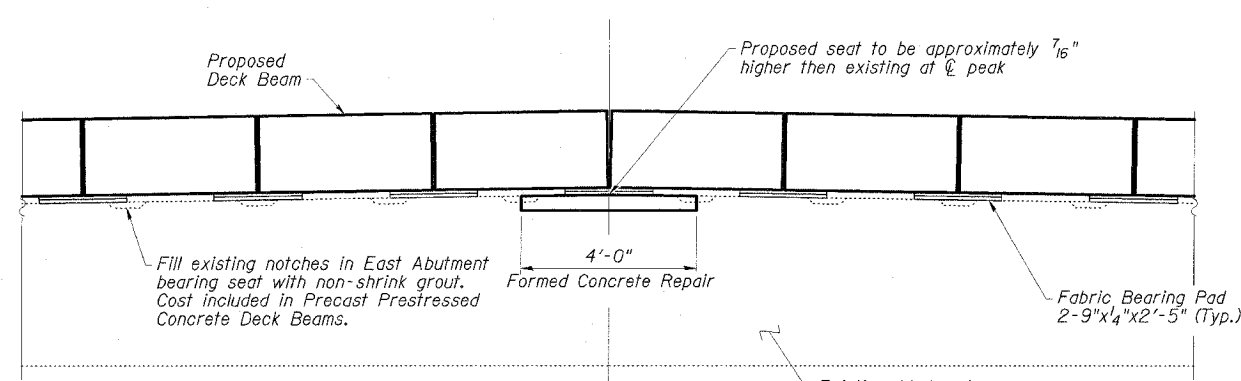
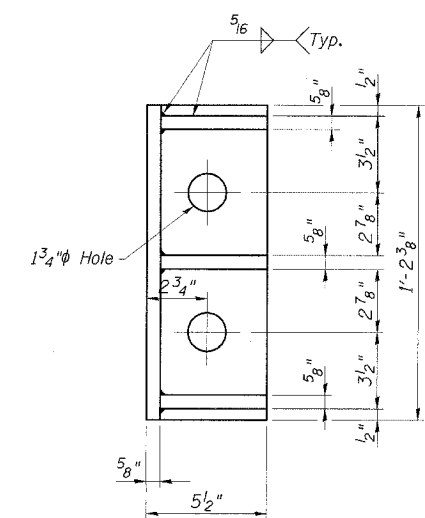
STATE OF ILLINOIS
DEPARTMENT OF TRANSPORTATION

ROUTE NO.	SECTION	COUNTY	TOTAL SHEETS	SHEET NO.
FAP 697	17BR	FORD	40	24
STA.	TO STA.			
FED. ROAD DIST. NO.	ILLINOIS		FED. AID PROJECT-	

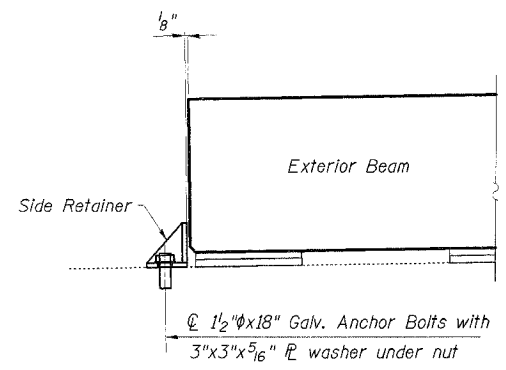
DWG. NO. 11 OF 15
CONTRACT NO. 66604



ABUTMENT BEARING SEAT PLAN
(Concrete wearing surface, expansion joint, and approach pavement not shown)

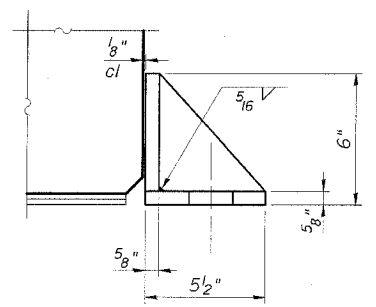


SECTION A-A
(Concrete wearing surface not shown)



EXTERIOR BEAM RETAINER DETAILS

(4 Required)
Cost of Retainer Angles, Anchor Bolts & accessories are included with Precast Prestressed Concrete Deck Beams.
Fill 1/8" gap with shim IL to provide temporary lateral support until shear keys have been grouted and concrete wearing surface has been placed.



SIDE RETAINER
Equivalent rolled angle with stiffeners will be allowed in lieu of welded plates.

ABUTMENT DETAILS
IL 9 OVER BIG FOUR DITCH
FAP ROUTE 697 - SECTION 17BR
FORD COUNTY
STATION 923+87.00
STRUCTURE NO. 027-0068

ESCA
CONSULTANTS, INC.

DESIGNED BY:	ELH	6/05
DRAWN BY:	DWH	6/05
CHECKED BY:	ELH	10/05
APPROVED BY:	RDP	10/05