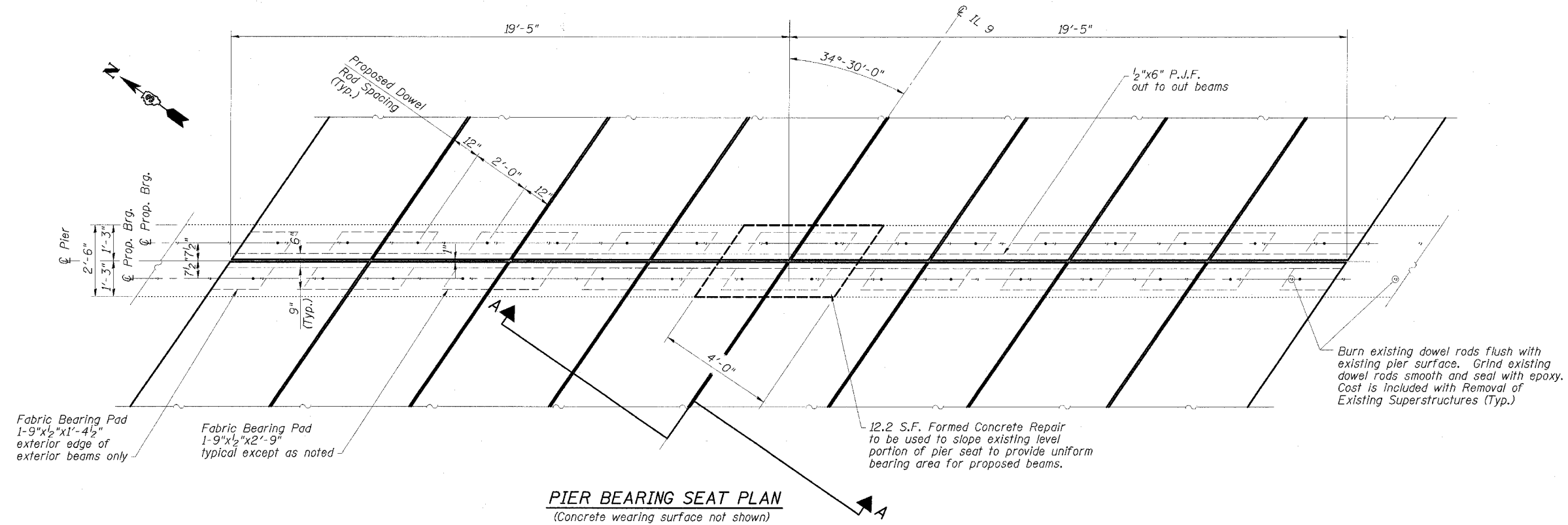


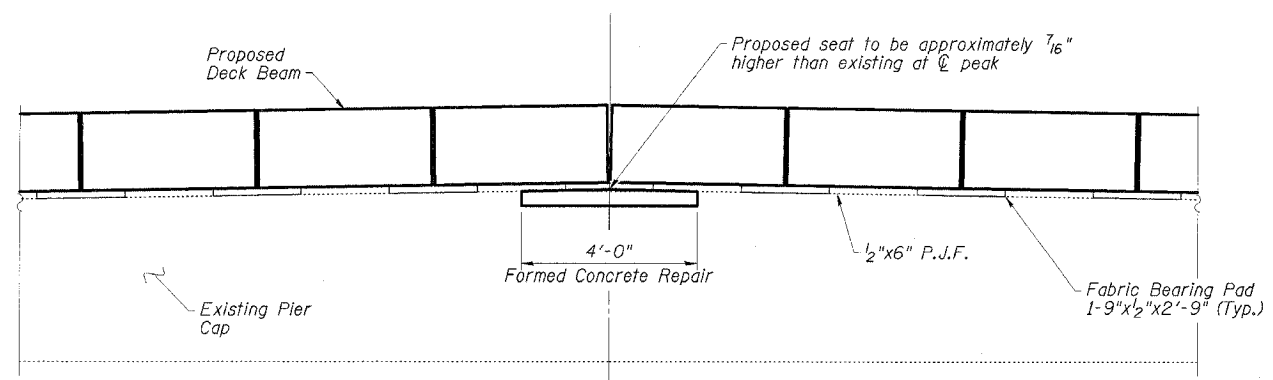
STATE OF ILLINOIS
DEPARTMENT OF TRANSPORTATION

ROUTE NO.	SECTION	COUNTY	TOTAL SHEETS	SHEET NO.
FAP 697	17BR	FORD	40	27
STA.	TO STA.			
FED. ROAD DIST. NO.	ILLINOIS	FED. AID PROJECT-		
		DWG. NO. 14 OF 15		

CONTRACT NO. 66604



PIER BEARING SEAT PLAN
(Concrete wearing surface not shown)



SECTION A-A
(Concrete wearing surface and dowel rods not shown)

ESCA
CONSULTANTS, INC.

DESIGNED BY:	ELH	6/05
DRAWN BY:	DWH	6/05
CHECKED BY:	ELH	10/05
APPROVED BY:	RDP	10/05

PIER DETAILS
IL 9 OVER BIG FOUR DITCH
FAP ROUTE 697 - SECTION 17BR
FORD COUNTY
STATION 923+87.00
STRUCTURE NO. 027-0068