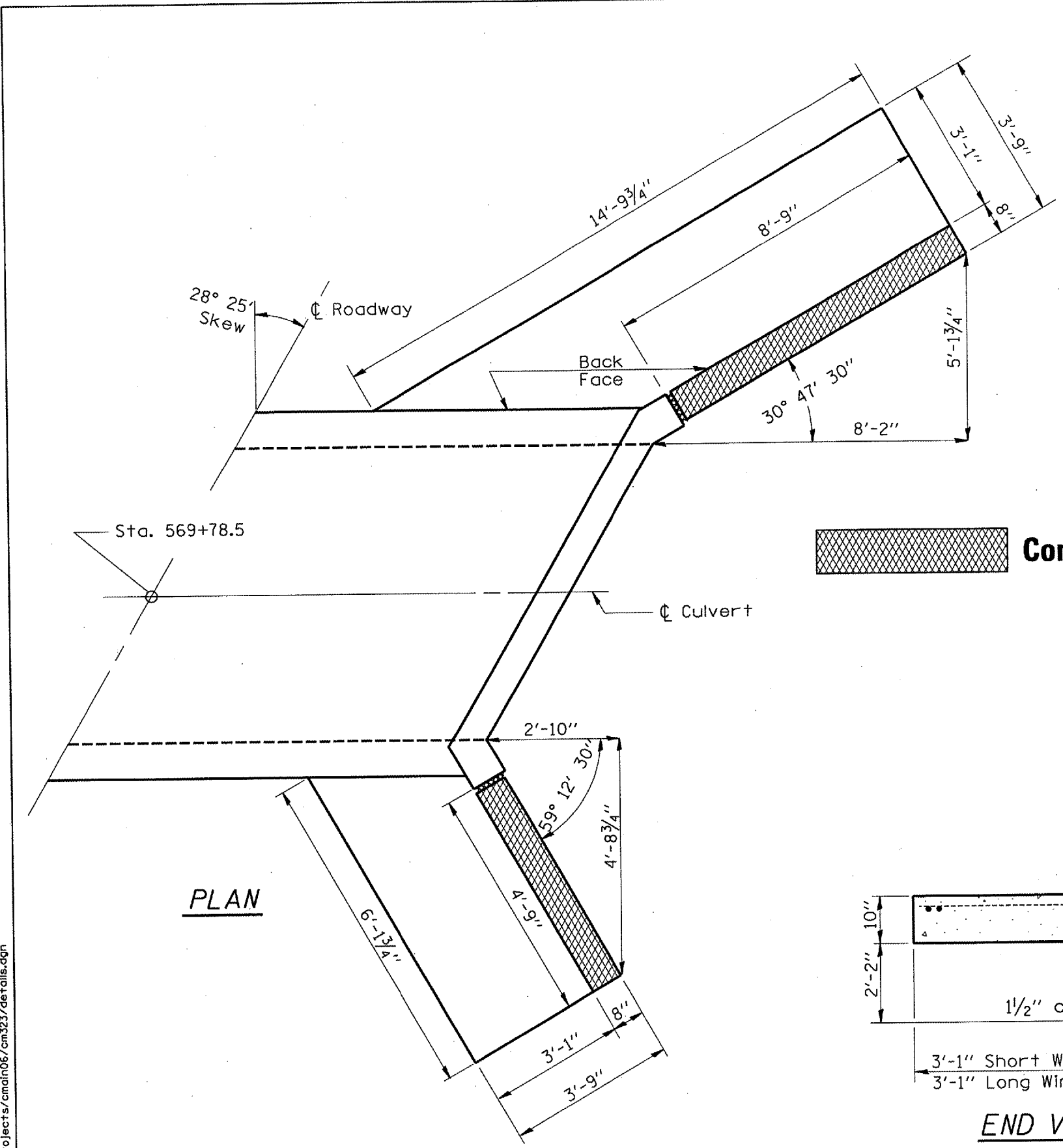
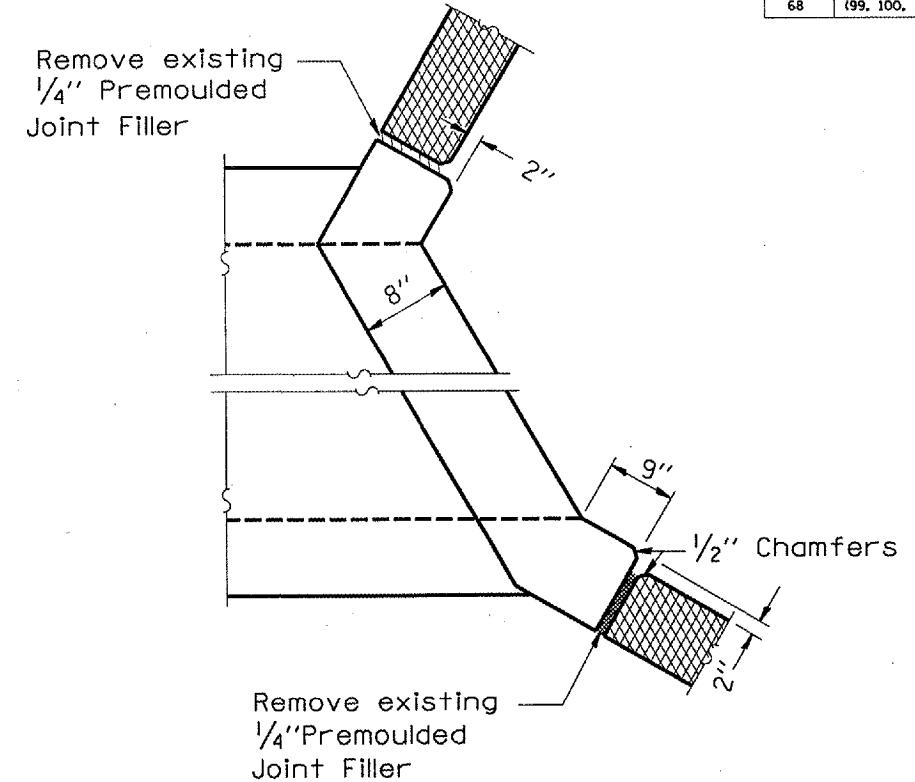


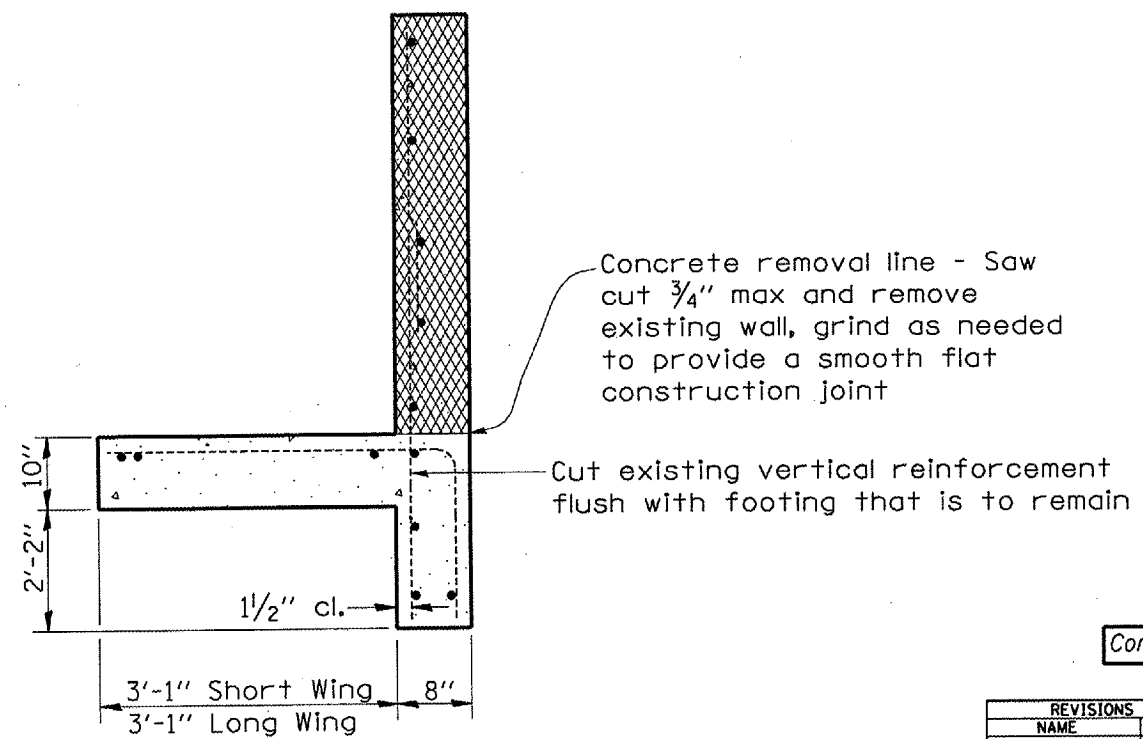
FAP RTE.	SECTION	COUNTY	TOTAL SHEETS	SHEET NO.
68	(99, 100, 371)	LASALLE	9	7



 **Concrete Removal**



CORNER DETAIL
TYP EACH WALL



END VIEW
TYP EACH WALL

BILL OF MATERIAL

Concrete Removal	Cu. Yd.	1.4
------------------	---------	-----

REVISIONS	
NAME	DATE

ILLINOIS DEPARTMENT OF TRANSPORTATION

WINGWALL REMOVAL DETAILS

FAP 68 ALT. (IL 23 ALT.)
SECTION: (99, 100, 371)
LASALLE COUNTY
STA. 569+78.5

DATE 09/12/2005 DRAWN BY RLV

Date: 09/30/2005
File: c:\projects\main06\cm323\details.dgn