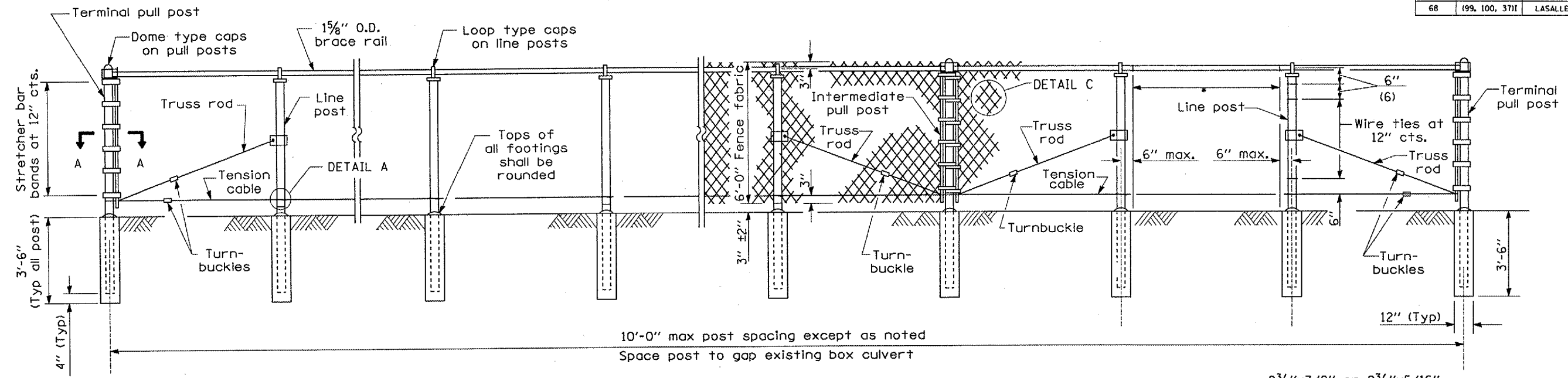
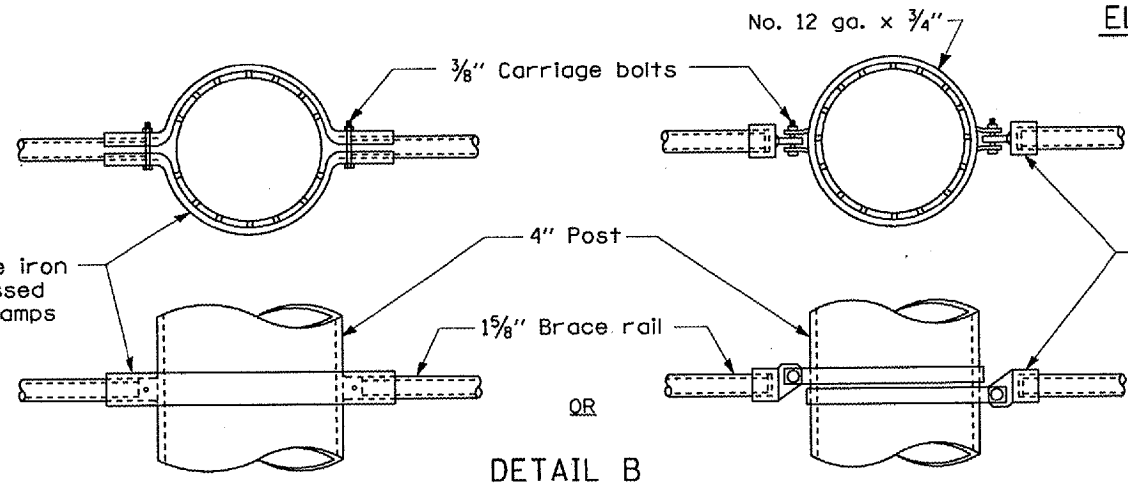


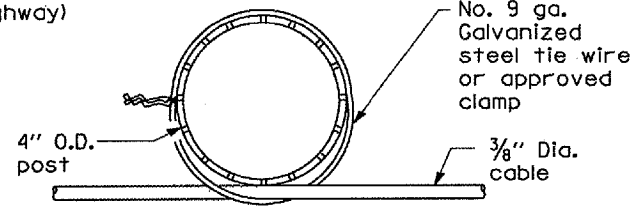
FAP RTE.	SECTION	COUNTY	TOTAL SHEETS	SHEET NO.
68	(99, 100, 371)	LASALLE	9	9



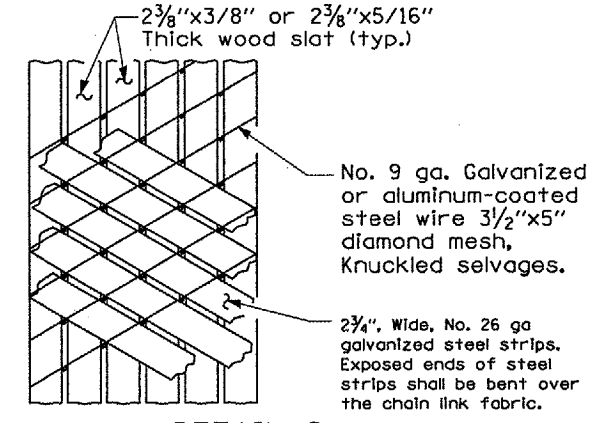
ELEVATION - 6' FENCE
(Looking toward highway)



DETAIL B
(Showing typical method of attaching middle brace rails to posts.)



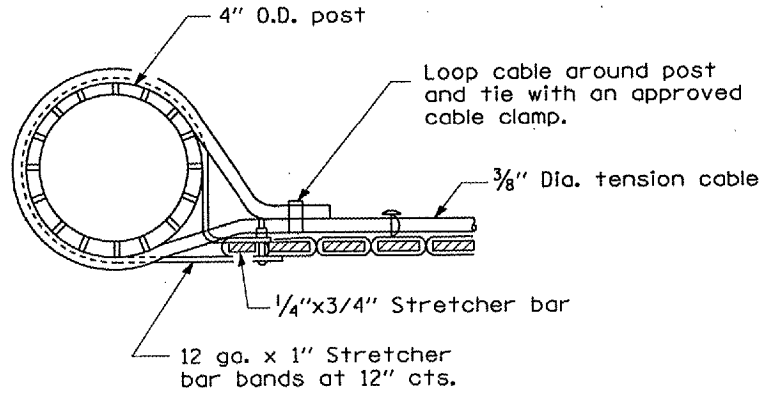
PLAN
DETAIL A



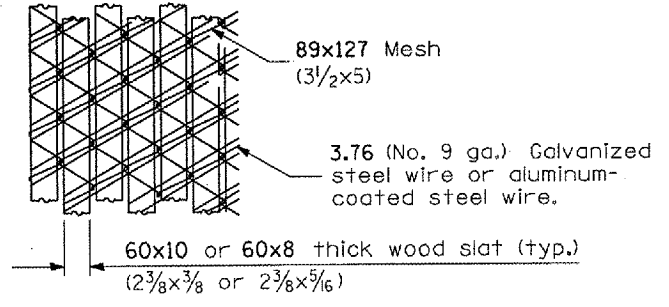
DETAIL C
(Looking toward highway)

FENCE HEIGHT	POST SECTION (O.D.)	kg/m lbs./ft.
6 ft.	4	9.11

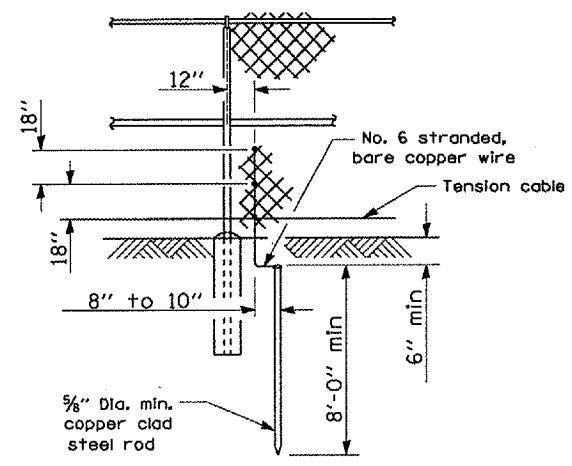
Post sizes other than those shown may be used subject to approval by the Engineer.



SECTION A-A
(Showing method of fastening bottom tension cable and fence fabric to pull posts.)



DETAIL OF FABRIC
(Looking from highway)



PROTECTIVE ELECTRICAL GROUND

GENERAL NOTES

- Loading for wind 80 mph with 30% gust factor.
- Tension cable shall be provided with one turn buckle between each pair of pull posts.
- Fence fabric shall be tied to all line posts, tension cable and brace rails with #9 ga. wire ties at 12" cts.
- ALLOWABLE STRESSES:
Posts and hardware per AASHTO.
Minimum allowable soil pressure = .25 tsf.

REVISIONS	
NAME	DATE

ILLINOIS DEPARTMENT OF TRANSPORTATION
SIGHT SCREEN CHAIN LINK FENCE DETAILS
FAP 68 ALT. (IL 23 ALT.)
SECTION: (99, 100, 371)
LASALLE COUNTY
STA. 569+78.5
DATE 09/12/2005 DRAWN BY RLV

Date: 09/30/2005 File: c:\projects\main\06\cm323\details.dgn