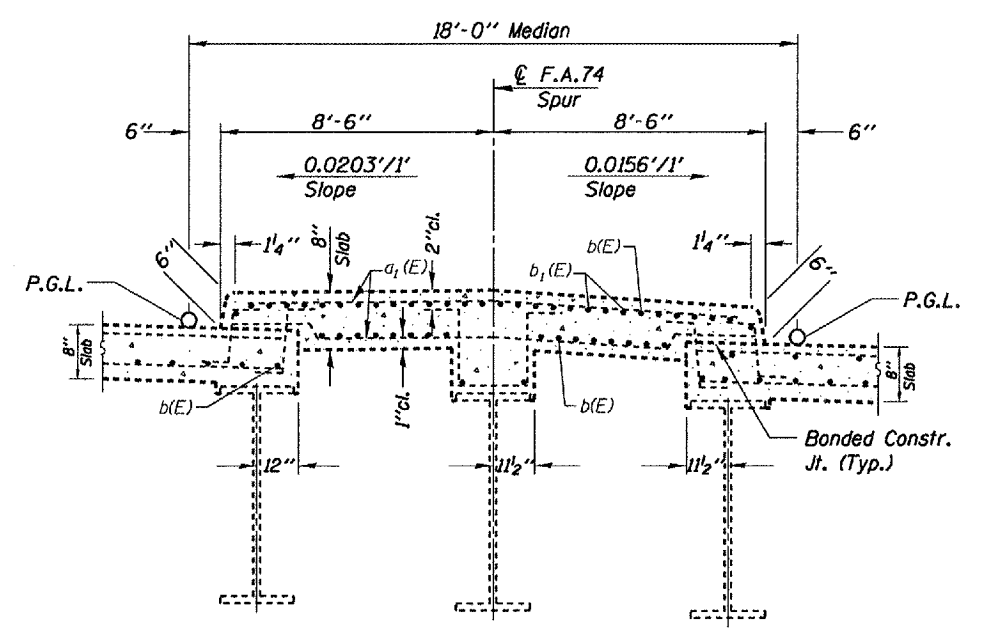
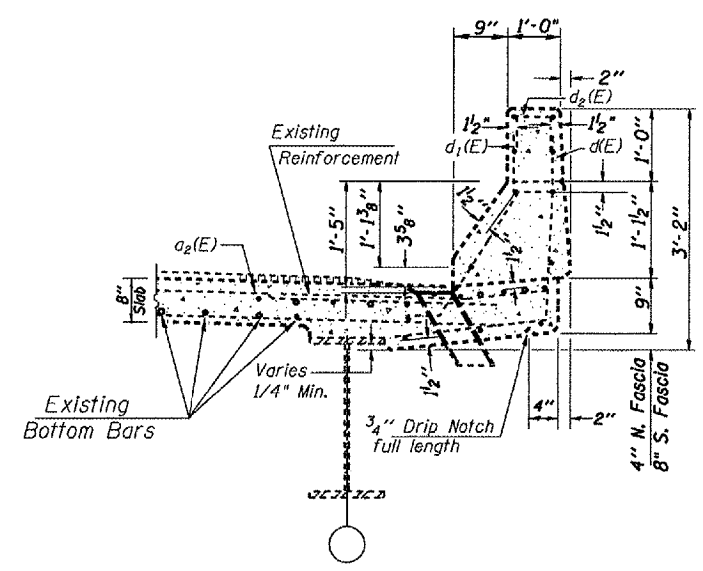


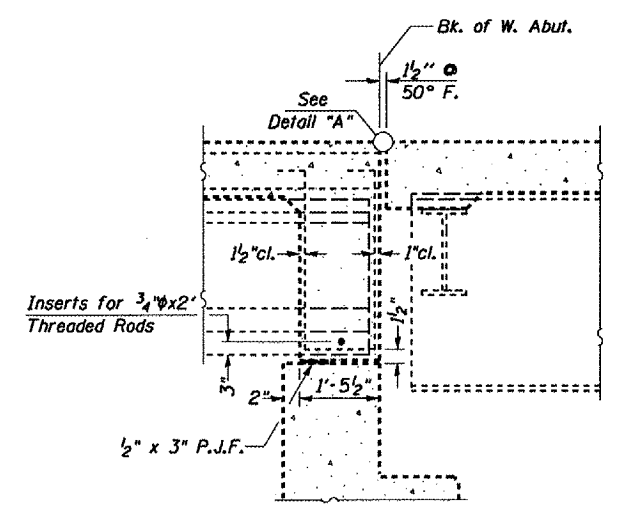
F.A.I. RTE.	SECTION	COUNTY	TOTAL SHEETS	SHEET NO.
155		TAZEWELL	27	21
STA. 28+18.38		TO STA. 31+04.76		
FED. ROAD DIST. NO. 4		ILLINOIS FED. AID PROJECT		
• 04 Joint Repair 2006				



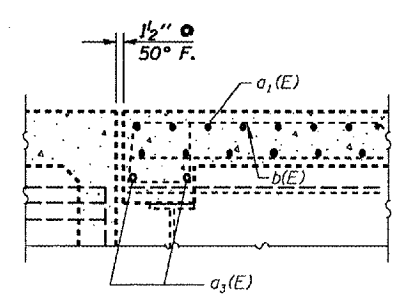
**SECTION THRU MEDIAN**  
(Looking East)



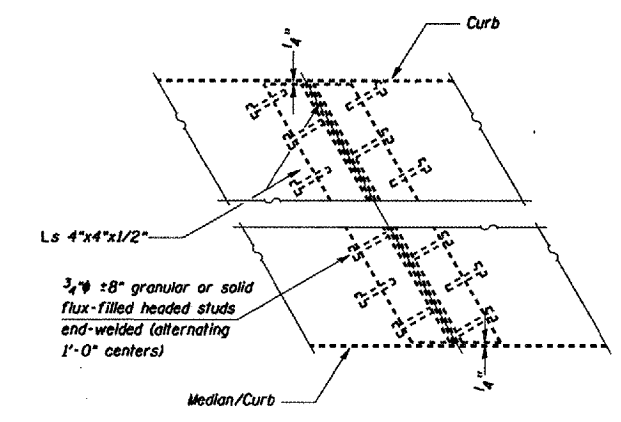
**SECTION THRU PARAPET**



**SECTION A-A**



**SECTION C-C**



**Plan of Expansion Angles**

FOR INFORMATION ONLY

PLT DATE  
PLT SCALE  
REFERENCE

REVISIONS	
NAME	DATE

ILLINOIS DEPARTMENT OF TRANSPORTATION  
**SUPERSTRUCTURE DETAILS**  
SCALE: VERT. HORIZ.  
DATE: 06-30-2005  
DRAWN BY: CEJ  
CHECKED BY:

SN 090-0095  
IL 122E over I-155