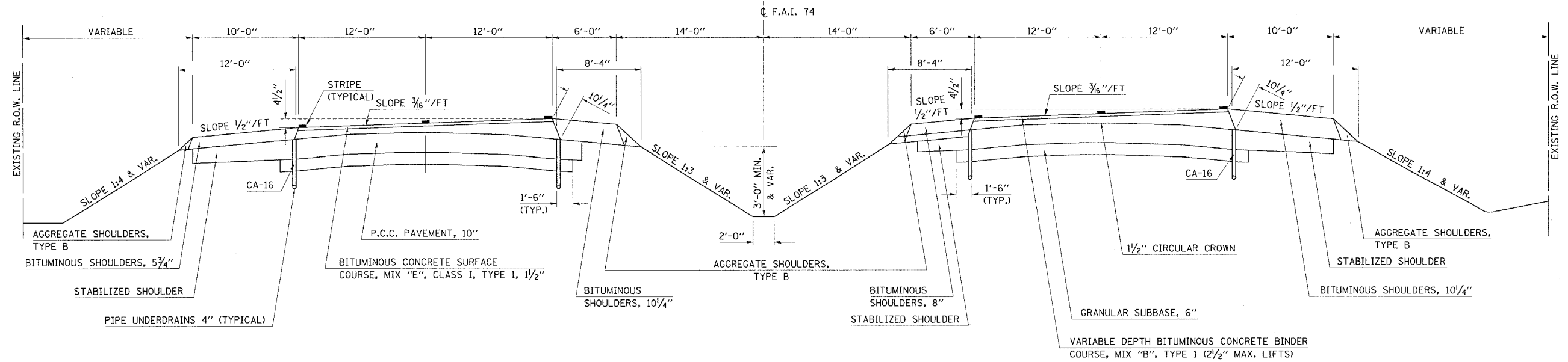


EXISTING TYPICAL CROSS SECTION

F.A.I. RTE.	SECTION	COUNTY	TOTAL SHEETS	SHEET NO.
74		CHAMPAIGN	115	13

CONTRACT NO. 70141
 • 10/5-1-RS-1.14-1(R)RS & 6RS-3)

STATION 1099+51.43 TO STATION 1116+50.00



PROPOSED TYPICAL CROSS SECTION (4)

STATION ③ 1099+51.43 TO STATION 1116+50.00 ⑤

