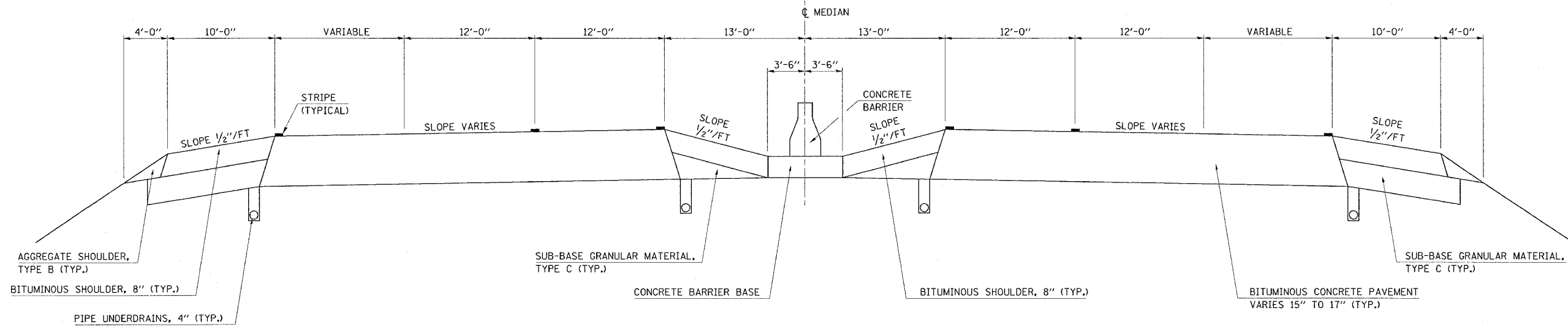


F.A.I. RTE.	SECTION	COUNTY	TOTAL SHEETS	SHEET NO.
74		CHAMPAIGN	115	16
CONTRACT NO. 70141 • 1015-1-RS-1,14-1(R)RS & 6RS-3)				

EXISTING TYPICAL CROSS SECTION

2 LANES AT RAMPS AND TRANSITIONS

STATION	TO	STATION
1124+00.00		1161+60.00
1236+00.00		1272+00.00
1296+00.00		1350+00.00

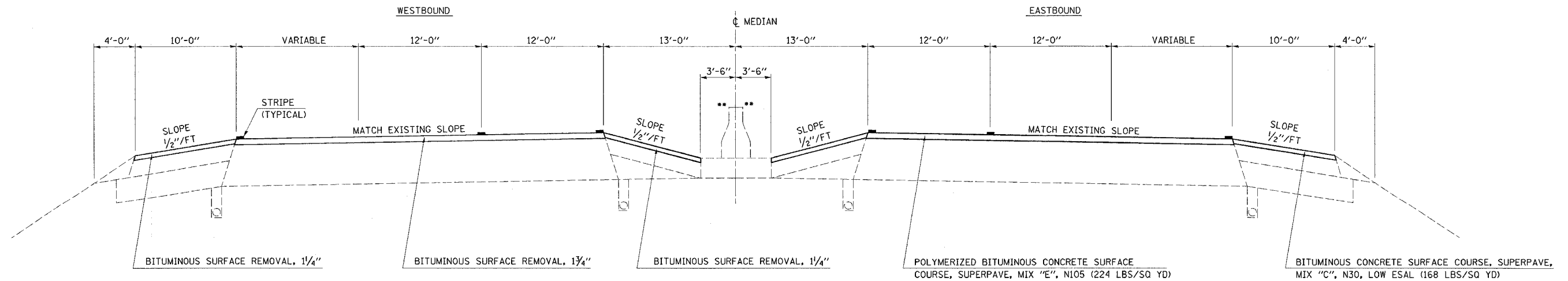


PROPOSED TYPICAL CROSS SECTION 7

2 LANES AT RAMPS AND TRANSITIONS

PAVING OMISSIONS: S.N. 010-0024
 EB STA 1320+35.74 TO STA 1322+80.08
 WB STA 1320+43.38 TO STA 1322+86.74

STATION	TO	STATION
⑥ 1124+00.00		1161+60.00 ⑧
⑧ 1236+00.00		1272+00.00 ⑧
⑧ 1296+00.00		1350+00.00 ⑩



** CONCRETE MEDIAN BARRIER ENDS AT STA. 1345+00.00 & BITUMINOUS SHOULDER TRANSITIONS STA. 1345+00.00 TO STA. 1350+00.00